



ALUMINIUM

BIFOLD DOORS

INNOVATIVE, AWARD-WINNING
BIFOLD DOORS

Award-winning aluminium folding doors

With the ability to completely open up an aperture to create a seamless transition between inside and out, bifold doors provide a modern solution that can transform the look and feel of your home. Our award-winning aluminium bifold doors set the standard for design options, energy efficiency and weather protection - making them the ideal solution whatever the size and scale of your project.



Designed for us in Germany and manufactured in-house here in the UK, the SF75eco aluminium bifold door offers industry leading levels of performance, contemporary designs and a range of unique design features not found on any other folding door.

With high performance thermally broken frames, a choice of more than 200 different colours and the option for double or triple glazing, the SF75eco will meet the demands of your project.

The SF75eco is widely regarded as the most versatile and advanced bifold door available, with each product handmade to the highest quality and featuring a wide range of unique features and system options.

For more than 24 years IDSystems has installed premium quality aluminium bifolds across the length and breadth of the UK - from contemporary inner-city extensions to the grandest of Grand Designs TV self-builds. We only ever use our own experienced fitting teams to ensure complete peace of mind and quality of finished installation.



5 panel bifold with corner post | RAL 7016 Anthracite grey | 3-left, 2-right | low threshold track



See our bifold doors at
▶ The Building Centre in Central London
▶ Our Comprehensive Showroom in Norwich

6 panel SF75eco below fixed frame gable | RAL 7016 Anthracite grey | 3-left, 3-right | low threshold track

SF75eco

Ultra thermally efficient aluminium bifold doors with industry leading weather protection

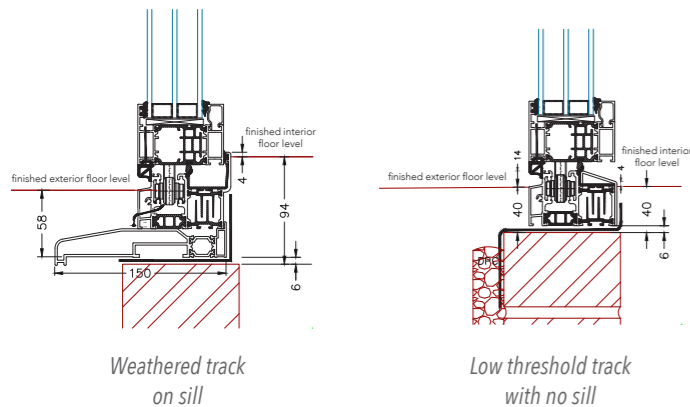
The SF75eco is the most advanced aluminium folding door system on the market, combining Passivhaus standards of thermal efficiency with advanced protection from wind and rain.

Designed for efficiency – the SF75eco is a truly unique bifold door system. The advanced engineering and multi-chamber thermal break technology enables the system to achieve the highest levels of thermal efficiency, whilst maintaining a stunning aesthetic appeal.

Flexibility in design – the system can be designed to fold to the left, right or from the centre and open to the inside or outside. It can have panels all folding the same way or split with a number folding to each side.

The SF75eco can be double or triple glazed, utilised as a single door, French doors and from a 2-panel to 22-panel bifold door on a choice of track options. It can also include a moveable corner post to create an eye-catching complete opening or even as a faceted set for curved structures.

SF75 Track options



SF75eco U-Values

Glazing option	Overall system U-value
Double glazed	from 1.1 W/m ² K
Triple glazed	from 0.8 W/m ² K

KEY FEATURES

- Unrivalled performance**
 An industry leading combination of advanced thermal performance (U-values from 0.8W/m²K*) with unrivalled weather protection (900Pa water tightness, 600Pa air permeability and 2000Pa wind load†) to severe weather rating standards.
- Stunning appearance**
 Slender 117mm sightlines and 75mm frame depths designed to accommodate a triple glazed unit. Panel sizes up to 1,200mm wide and up to 3,500mm high on a choice of either a low-threshold or fully weathered track.
- Widest range of configurations**
 The versatility of the SF75eco means it can be configured to your exact requirements - whether you opt for a more typical door design, create a completely open corner or even utilise the system to create a folding window.
- Security as standard**
 Manufactured with multi-point locking to meet the requirements of PAS 24, to comply with Building Regulations Part Q‡, and the prestigious Secured by Design™ award for the police preferred security specification.
- Inline handle design**
 See more of the view out and less of the door hardware with the stylish bifold door handle that sits neatly inline with the frame of the doors.
- Innovative features**
 Designed with a range of unique features not found on any other bifold door, including an antiSLAM panel catch that holds the lead door in place when the doors are opened, and the exclusive 'part-vent' position which allow the doors to provide ventilation without having to be opened.
- Unrivalled quality**
 Researched and developed with more than 35 years of German folding door experience to allow complete peace of mind.
- Customise your doors**
 Choose from one of more than 200 colours and finishes with the handles and hinges matched to the frames of the doors for a stunning appearance.

"We spent a considerable amount of time researching bifold doors and were hugely impressed by both the capabilities of the SF75eco and the technical knowledge of the IDSystems team."

Mr & Mrs Eaves, Cambridge

* Overall U-value achievable by each set of doors is dependent on the glass specification used.

† Weather performance figures may vary depending on system size and configuration.

‡ Requires P1a specification glazing to comply with Part Q.



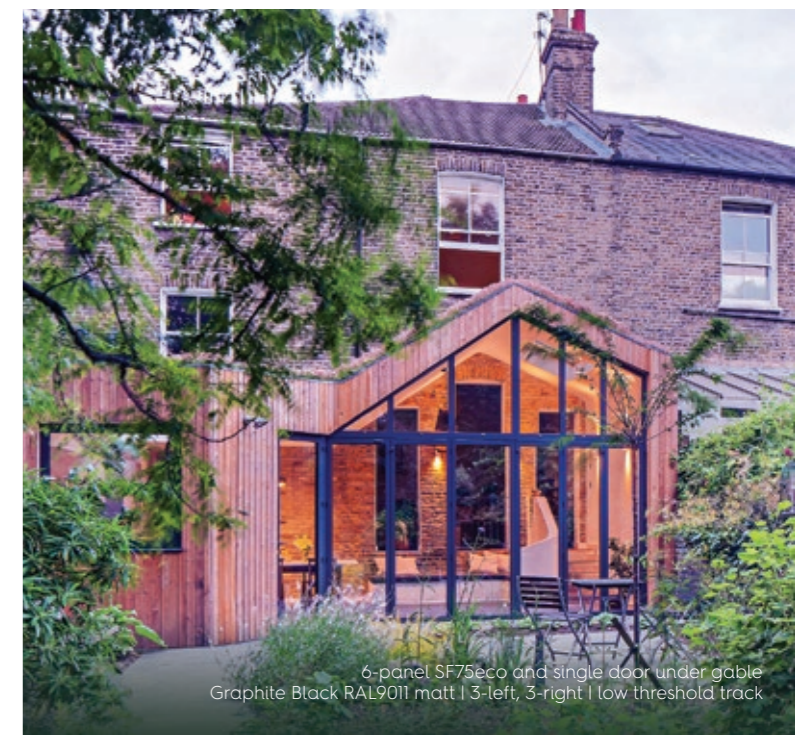
3-panel SF75eco door & 4-panel SF75eco window | Jet Black RAL 9005 matt
Door: 1-left, 2-right | Window: 3 left, 1-right | low threshold track



3-panel SF75eco | Anthracite Grey RAL 7016 matt
5-right | low threshold track



6 panel bifold doors with integral blinds | Gun Metal Grey DB703 textured | 3-left, 3-right | weathered track



6-panel SF75eco and single door under gable
Graphite Black RAL9011 matt | 3-left, 3-right | low threshold track

Art Deco bifold doors

Steel-look aluminium heritage folding doors

Designed utilising the SF75eco system, heritage bifold doors combine traditional Art Deco style with the latest in modern thermal performance and security standards.

When closed the doors match the appearance of steel doors, yet when stacked to one end they create a stunning contemporary opening - perfect for a period renovation or a stylish new-build home.

KEY FEATURES

- **Ideal for larger apertures**
Where traditionally steel framed doors have been limited to French doors, opting for a heritage bifold door allows you to open up a far larger aperture, breaking down the boundaries between inside and out and extending your living space out on to the patio.
- **Wide range of configurations**
From 2-panels all the way up to 22 panels opening inwards or outwards, or from the centre or from one end, our heritage bifold doors are available with the same comprehensive range of configurations - including open corners, curved/faceted sets and window designs.
- **Thermally efficient frames**
Unlike traditional steel framed doors, the profile of the aluminium heritage bifold doors is thermally broken, preventing cold bridging between the exterior and interior face of the system.



6 panel open-corner SF75eco | Anthracite Grey RAL 7016 matt | 3-left, 3-right | low-threshold track



8 panel open-corner SF75eco heritage | Anthracite Grey RAL 7016 matt | 3-left, 5-right | low threshold track

Open corner bifold doors

Create panoramic floating corner designs

The SF75eco doors has the ability to create completely panoramic views out by opening up the entire corner of a room - a stunning addition to any project.

Designed with an integrated locking corner post, the panels stack back to create a completely open corner where the ceiling appears to float over the aperture.

KEY FEATURES

- **20+ years of open corners**
We have supplied and fitted open corner bifold doors for more than 20 years, perfecting the design and installation required to create stunning post-free corners.
- **A choice of angles**
The SF75eco can be manufactured to open up a 90°, 135° or 270° corners, enabling us to create the ultimate solution for your project.
- **Uninterrupted views**
The doors form a non-structural element of the opening, so whether you opt for a post set inside the aperture to support the structure or are in a position to include a cantilevered roof as part of your build, the opening is completely uninterrupted.

Bifold windows

Completely open window designs

Bifold windows are a popular option for completely opening up an aperture, whether that is at ground floor level to create a stunning connection between kitchen and patio for that perfect entertaining space; or as part of a loft-conversion to maximise the views over the rooftops.

They can even be incorporated alongside a set of bifold doors to create a real 'wow' factor design.

KEY FEATURES

- **Panoramic views**
The ability to completely open up a window, free from any intermediate frames, allows for panoramic views out and an unrivalled connection between inside and out.
- **Door and window combination**
One of the most popular design solutions combines a full-height bifold door with a half-height window - ideal for kitchens - to create one complete aperture.
- **Widest range of configurations**
As with our bifold doors, our folding windows are available in a wide range of configurations to allow you to customise the design to meet the requirements of your home.
- **Curves and corners**
The attention to detail of the SF75eco means that it is capable of creating stunning options including curves and open corners - ideal for complex architectural designs.



7 panel faceted SF75eco | Slate Grey RAL 7015 matt | 7-right | weathered track



3 panel SF75eco window | Anthracite Grey RAL 7016 matt | 3-right | weathered track

Curved bifold doors

Open up contemporary curved structures

Ideal for modern homes with sweeping curves, curved (or faceted) bifold doors are available in either inwards (concave) or outwards (convex) curves.

The advanced engineering of the SF75eco stands out from every other folding door on the market, enabling us to turn an initial idea for curved glazing into a practical and achievable solution.

KEY FEATURES

- **Advanced engineering**
The SF75eco is the only aluminium bifold door system on the market engineered to be able to create curved designs, whilst meeting the advanced thermally efficiency standards required for new-build homes.
- **Experienced installers**
Nobody handles curves better than us, we have supplied and installed more faceted folding door systems over the past 20+ years than any other company in the UK - making us uniquely placed to support more complex project requirements.
- **Residential or commercial applications**
Our bifold doors have been utilised in a faceted configuration on both residential properties and commercial applications, including bars and restaurants - providing a seamless connection between inside and out when the doors are opened.



Unrivalled thermal efficiency



Integrated Venetian blinds option



Unique in-line handle design



Patented antiSLAM panel catch



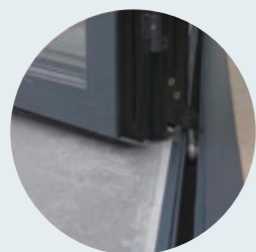
Independently certified security



Industry-leading weather protection



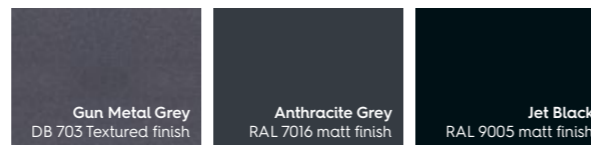
Weathered track



Low threshold track

A unique range of custom made features, options and finishes

We have chosen three of our most popular finishes as standard stocked colours for bifold doors, Gun Metal Grey DB703 textured, Anthracite Grey RAL 7016 matt and Jet Black RAL 9005 matt. Alternatively you can choose to completely customise your doors with a choice of one of more than 200 bespoke colours and finishes, including the full RAL Classic range.



6 panel SF75eco | Anthracite Grey RAL 7016 matt external & Traffic White RAL 9016 matt internal | 3-left, 3-right | Low threshold track

Complete glazing solutions, whatever your project...

Award-winning bifold doors, sliding doors and glazing solutions - all made to fit your home perfectly.

Transforming your home needs an experienced and safe pair of hands, so choosing the right company to work with is important.

At IDSystems, we're the market leader in providing multi-award winning glazing solutions for all types of projects - extensions, renovations, self-builds and complete new homes. We guarantee the highest standards of advice, build quality, design and bespoke installation for your complete peace of mind.

Founded in 2000, we've built an outstanding reputation for quality, service, expertise and some of the most exciting and innovative designs.

From our initial designs and technical advice to liaison with architects and builders, creating working CAD drawings and the logistics of final installation, our own staff will be with you every step of the way.





sliding doors



bifold doors



slide & turn doors



heritage doors



aluminium windows



glass roofs



internal glazing



front doors



glass balustrades


IDSystems
innovative glazing

t 01603 408804 e info@idsystems.co.uk

B2 Rhombus Park Diamond Road Norwich NR6 6NN

www.idsystems.co.uk/bifold-doors

See our **bifold doors** at

- ▶ **The Building Centre** in Central London
- ▶ **Our Comprehensive Showroom** in Norwich

