

# SECTION A:

# Typical Sections

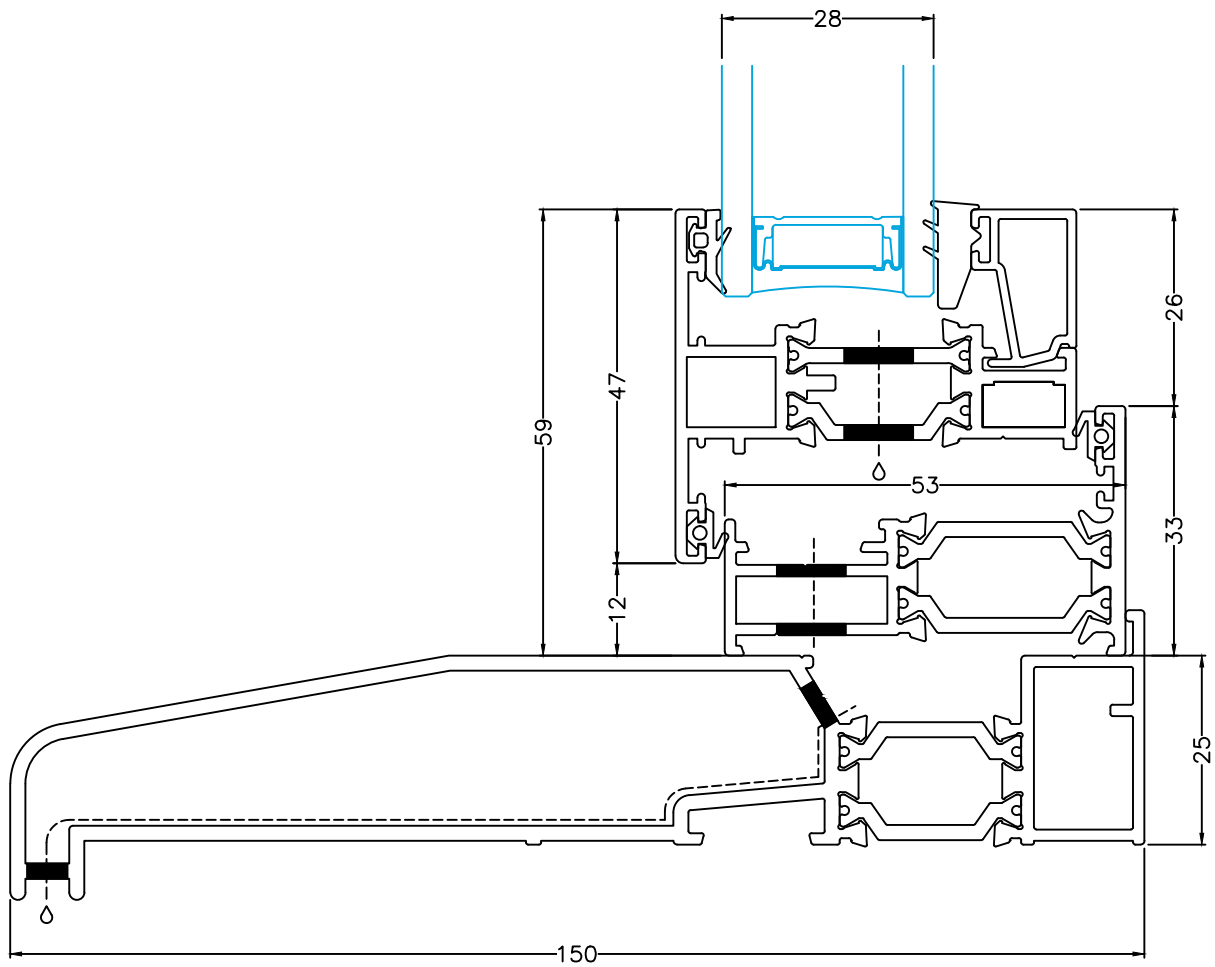
Description:

System: Vision Window

Rev.

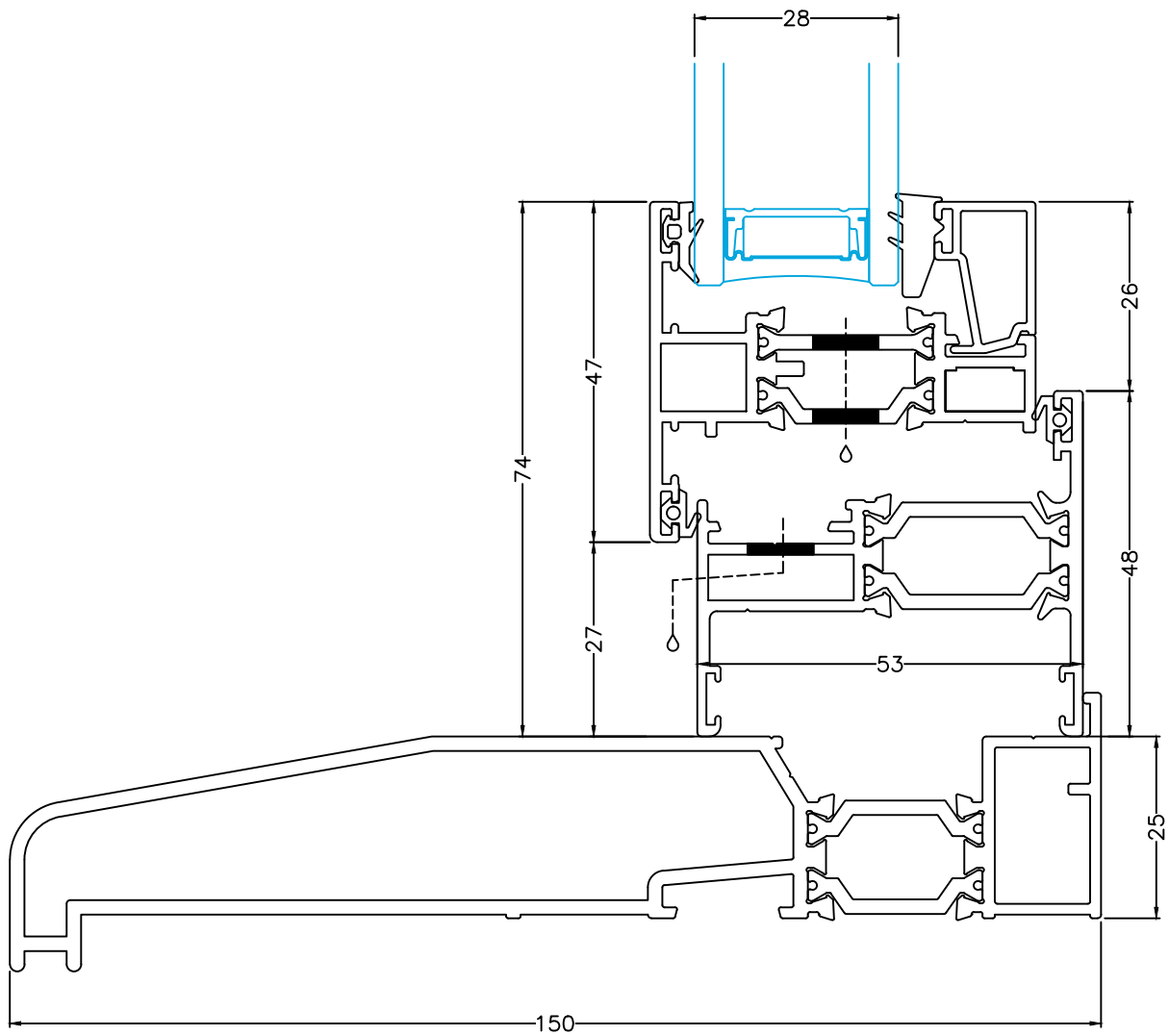
Page: SECTION\_A

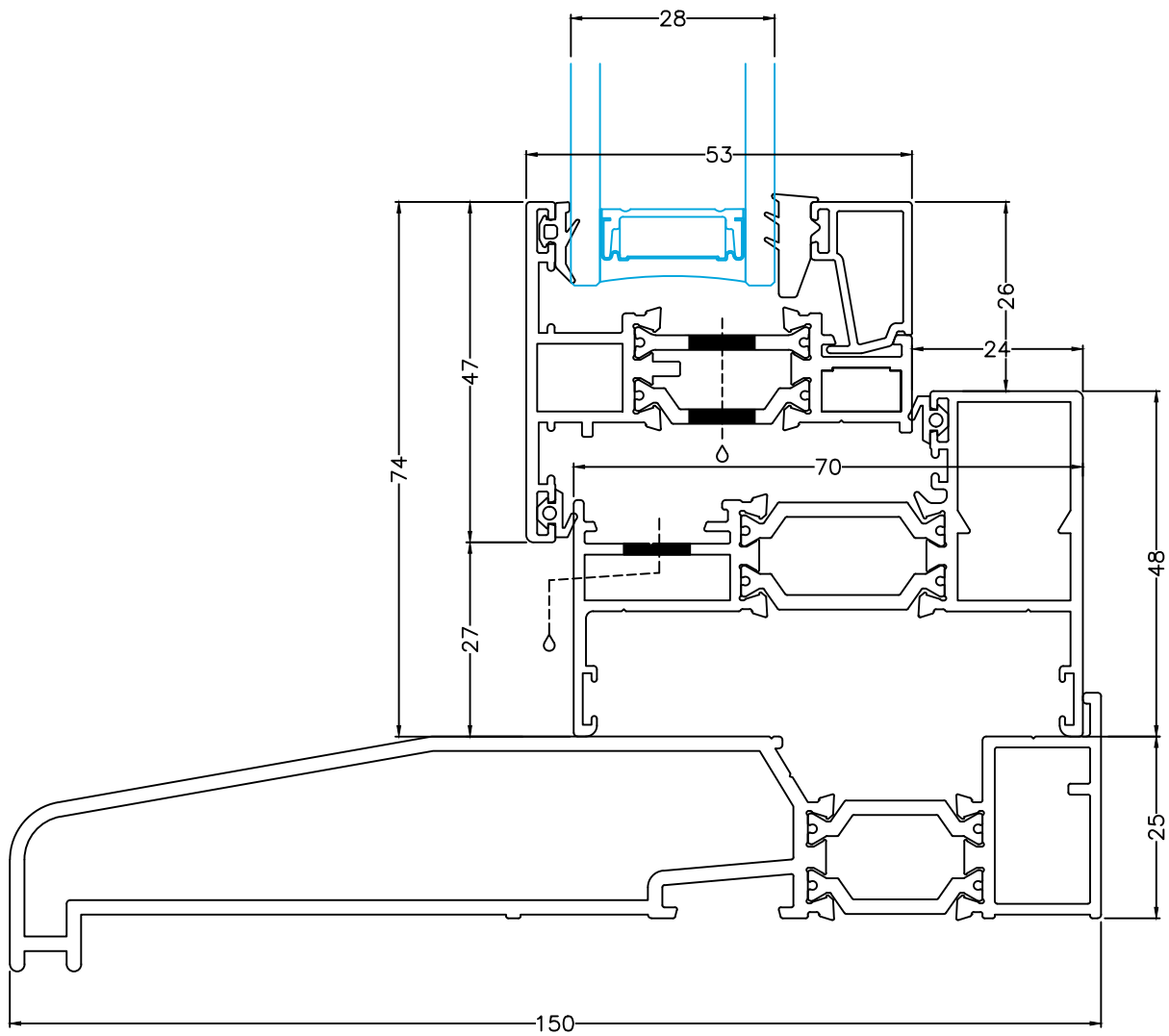
**A**

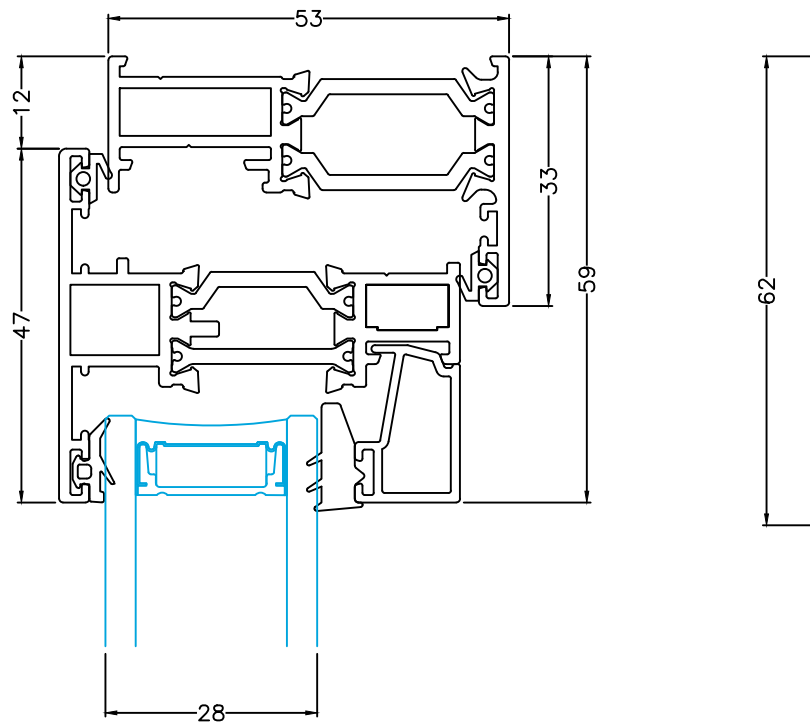


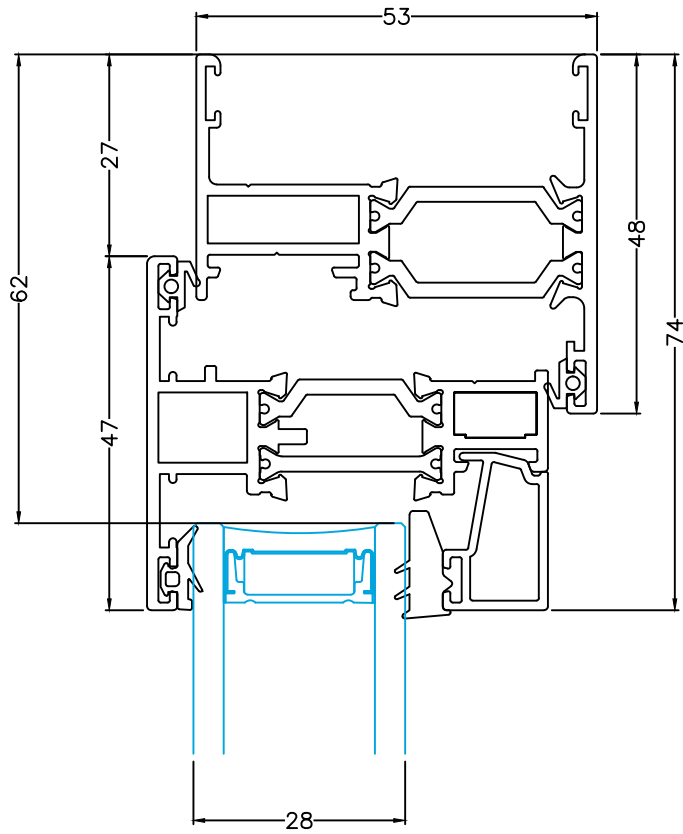
Sill Always Required See B1 for Size Options

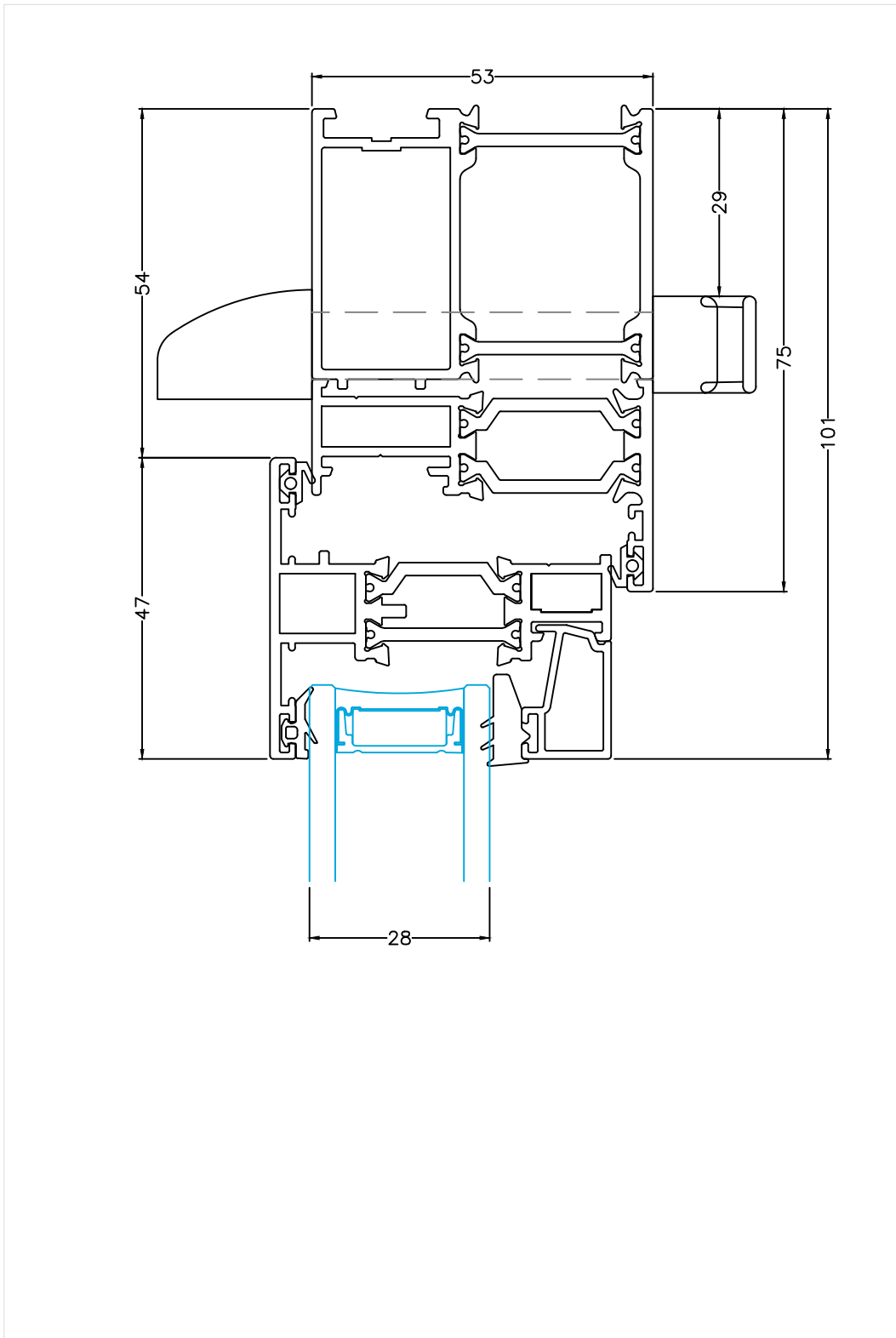
Description: Sill Detail - Slim Frame - Opening / Dummy Sash	System: Vision Window	Rev.
	Page: A01	<b>A</b>

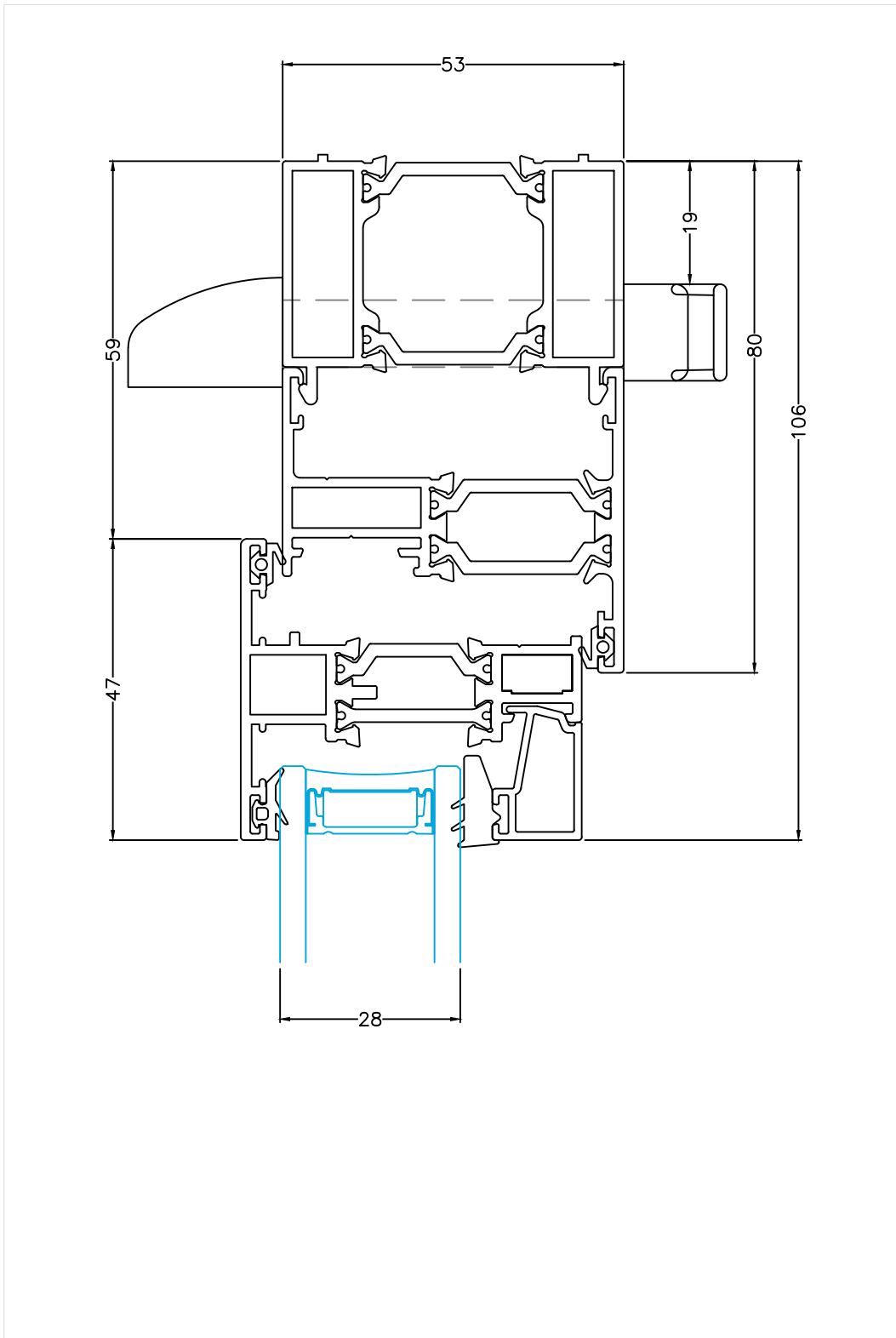




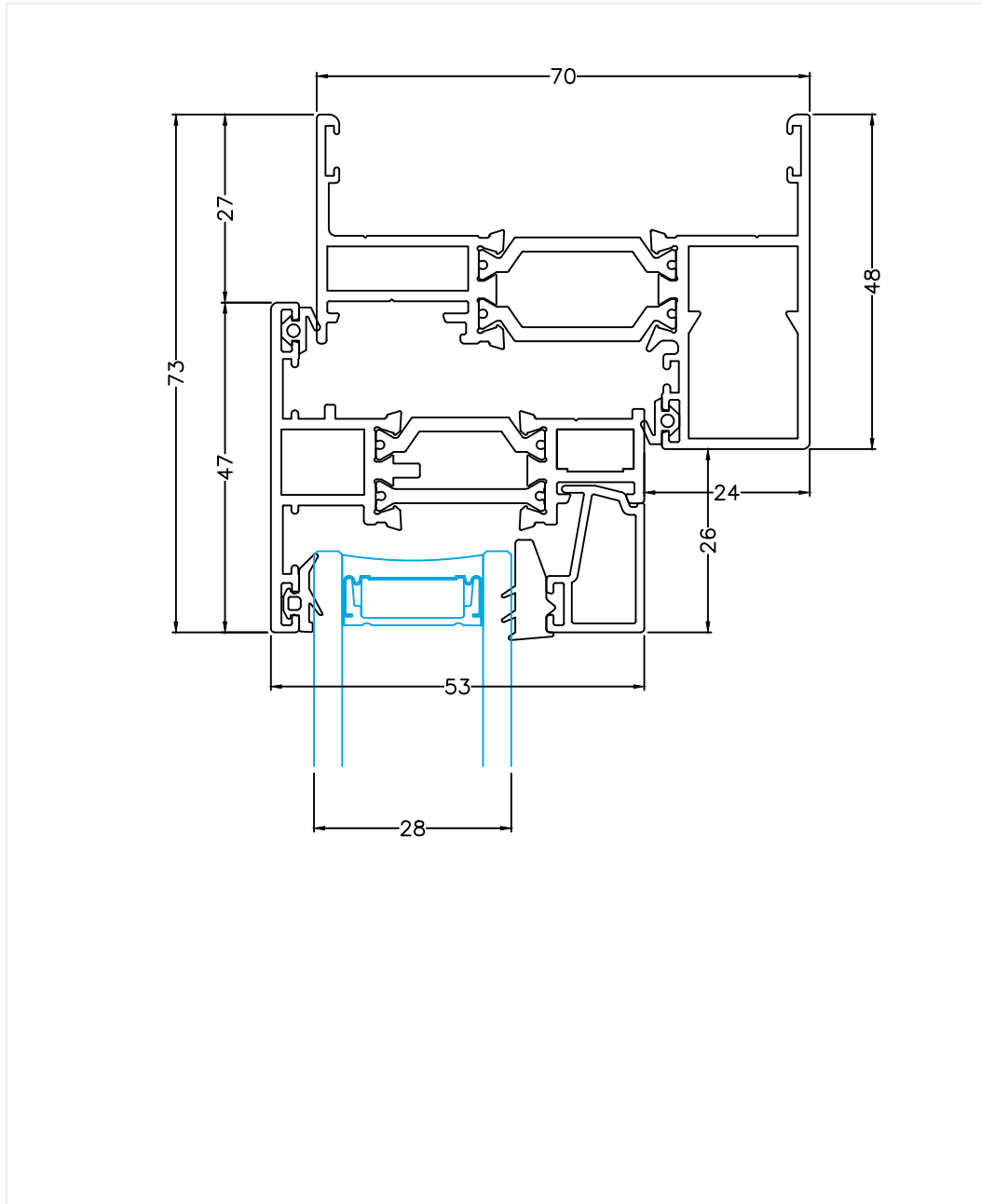


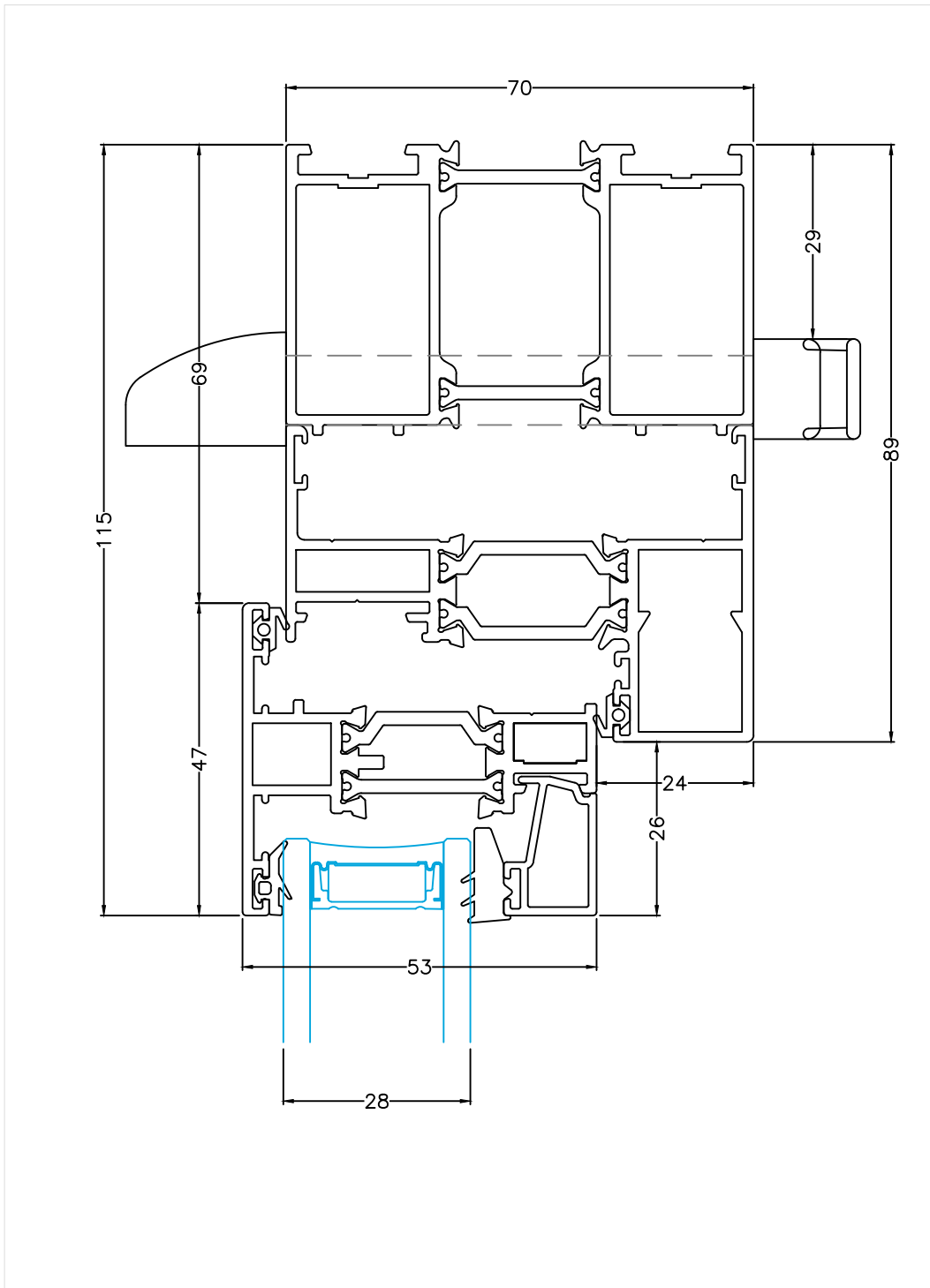


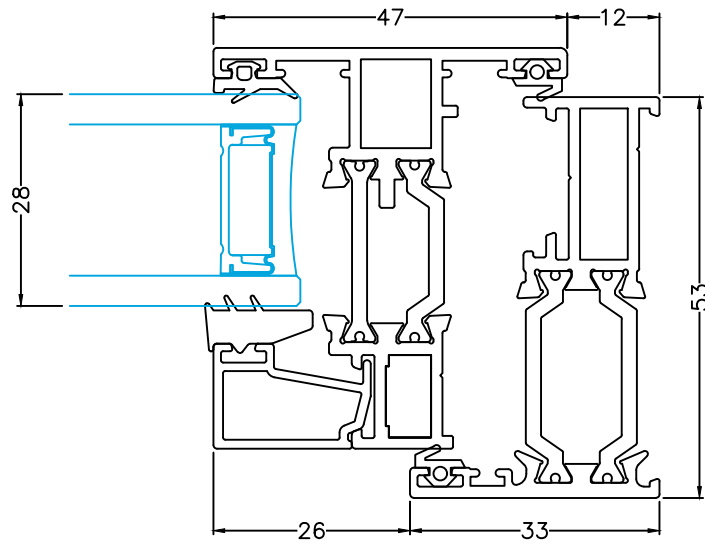


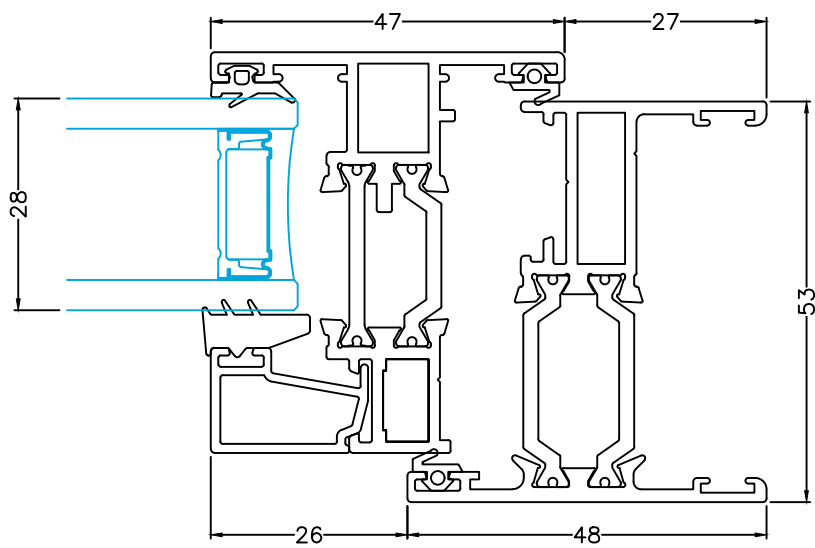


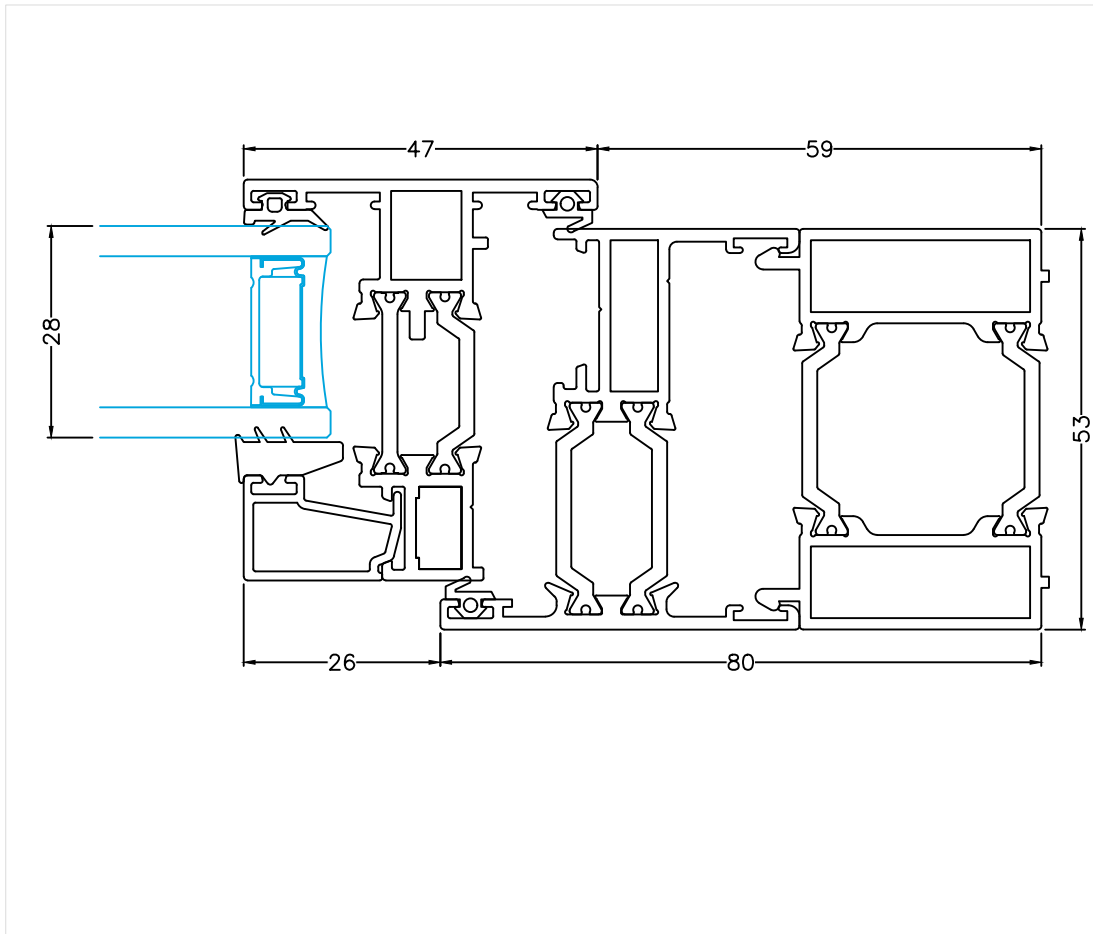


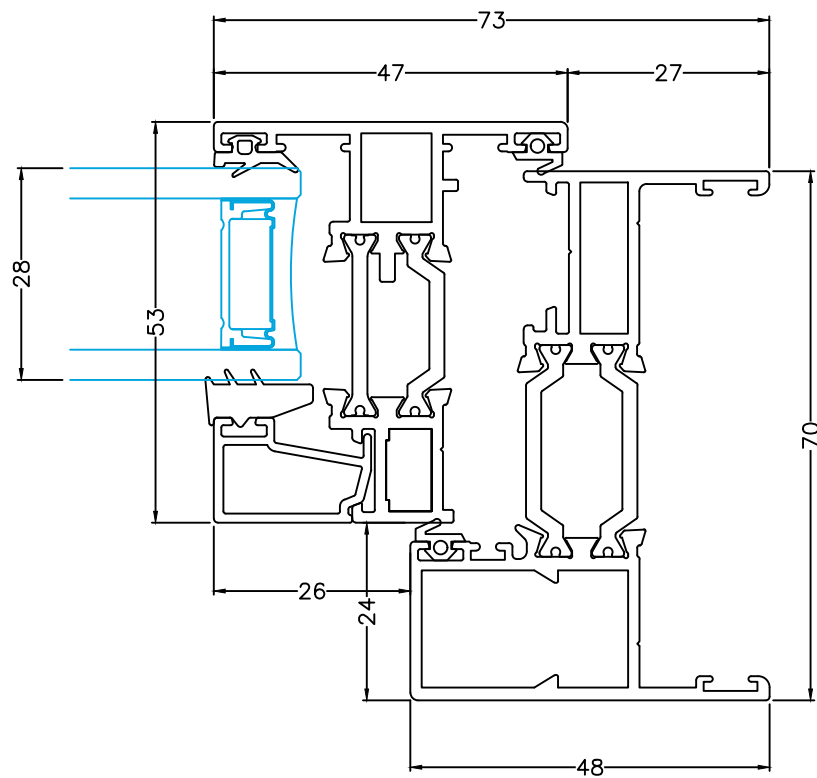


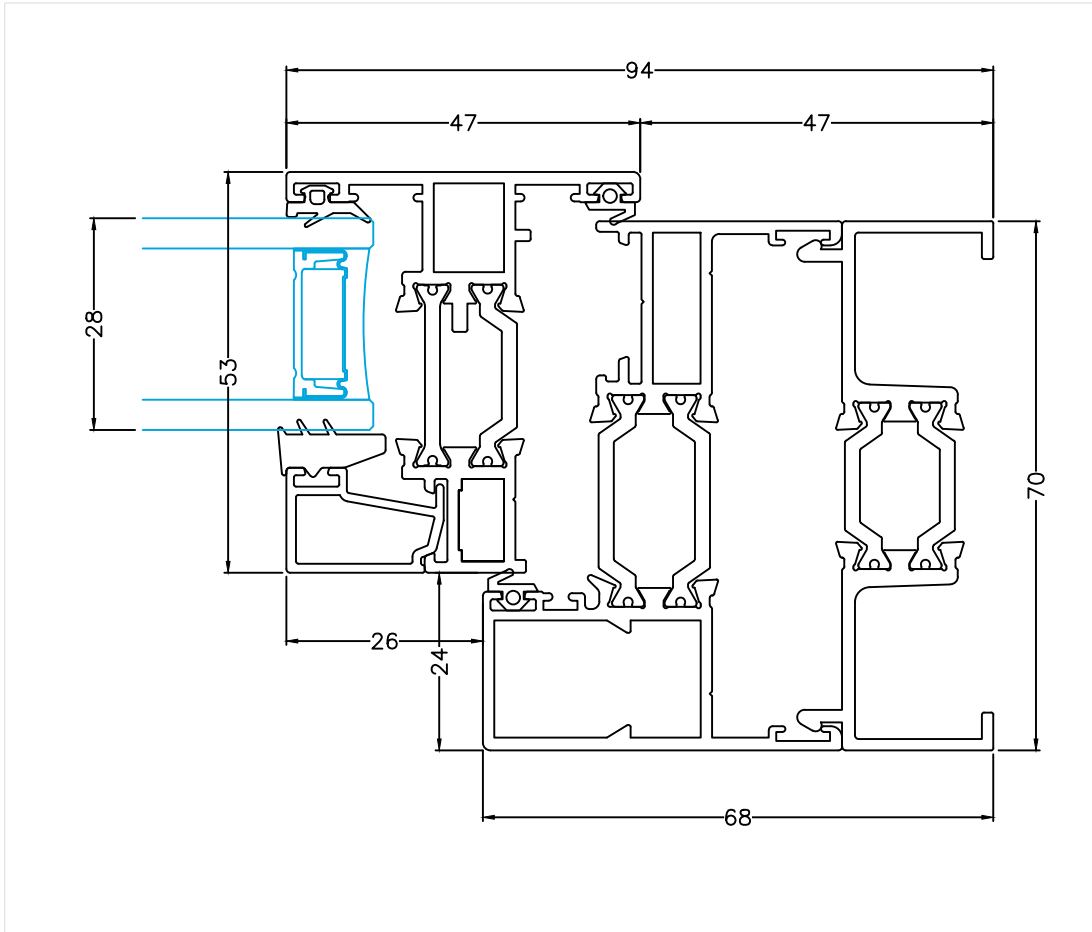


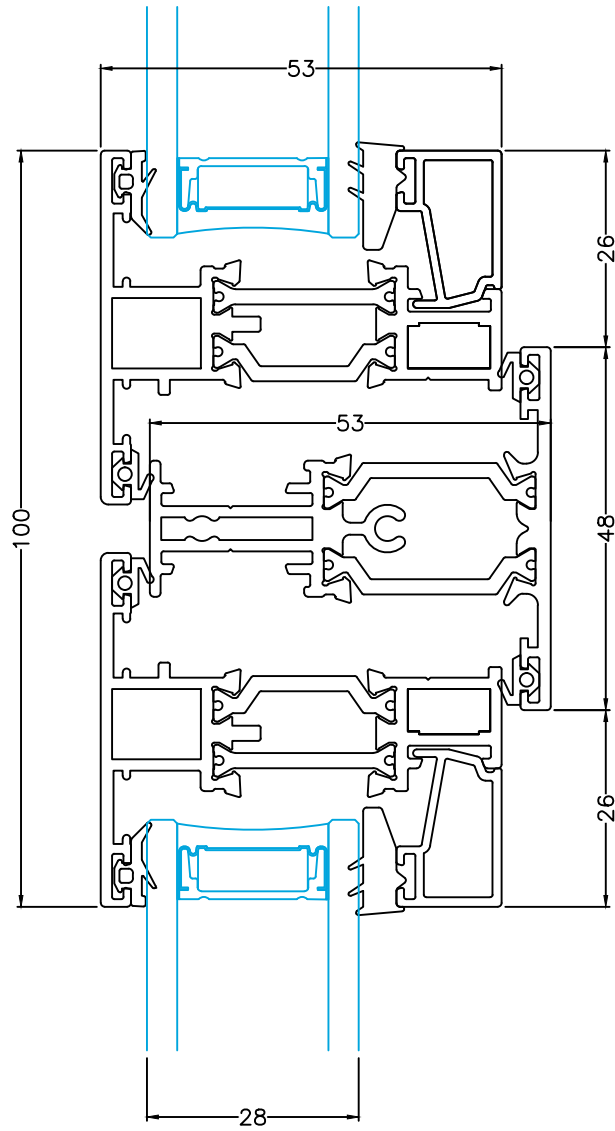




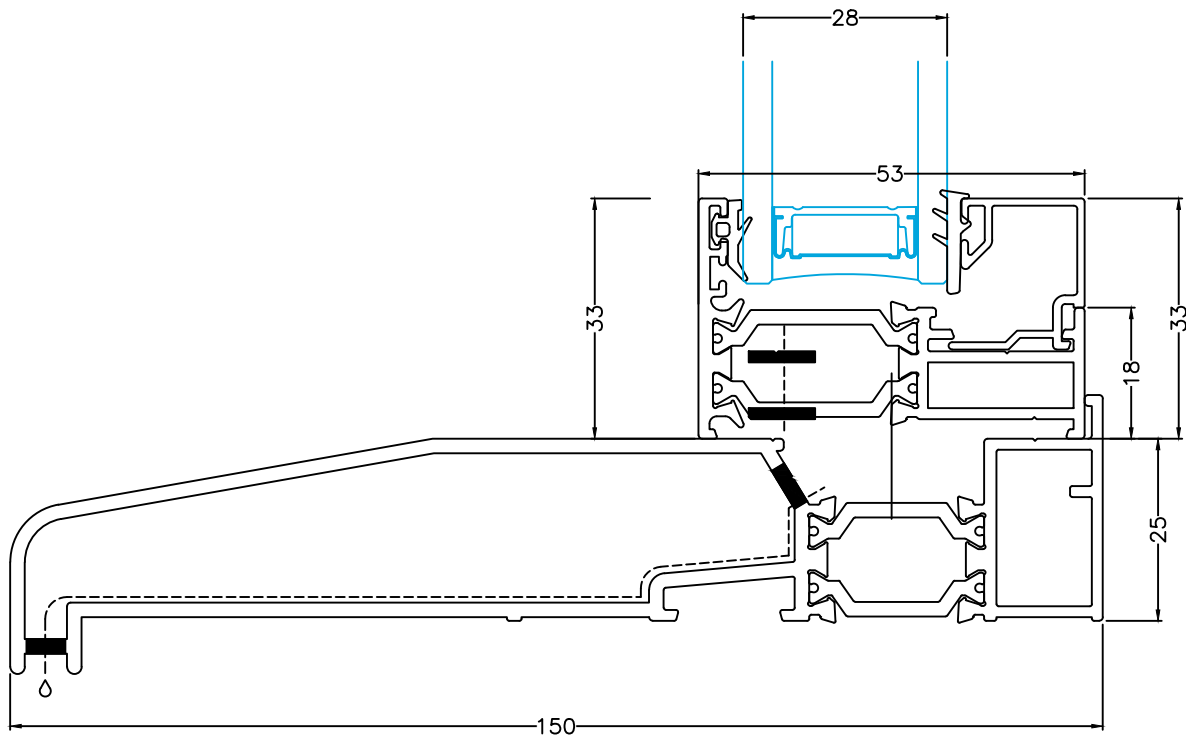




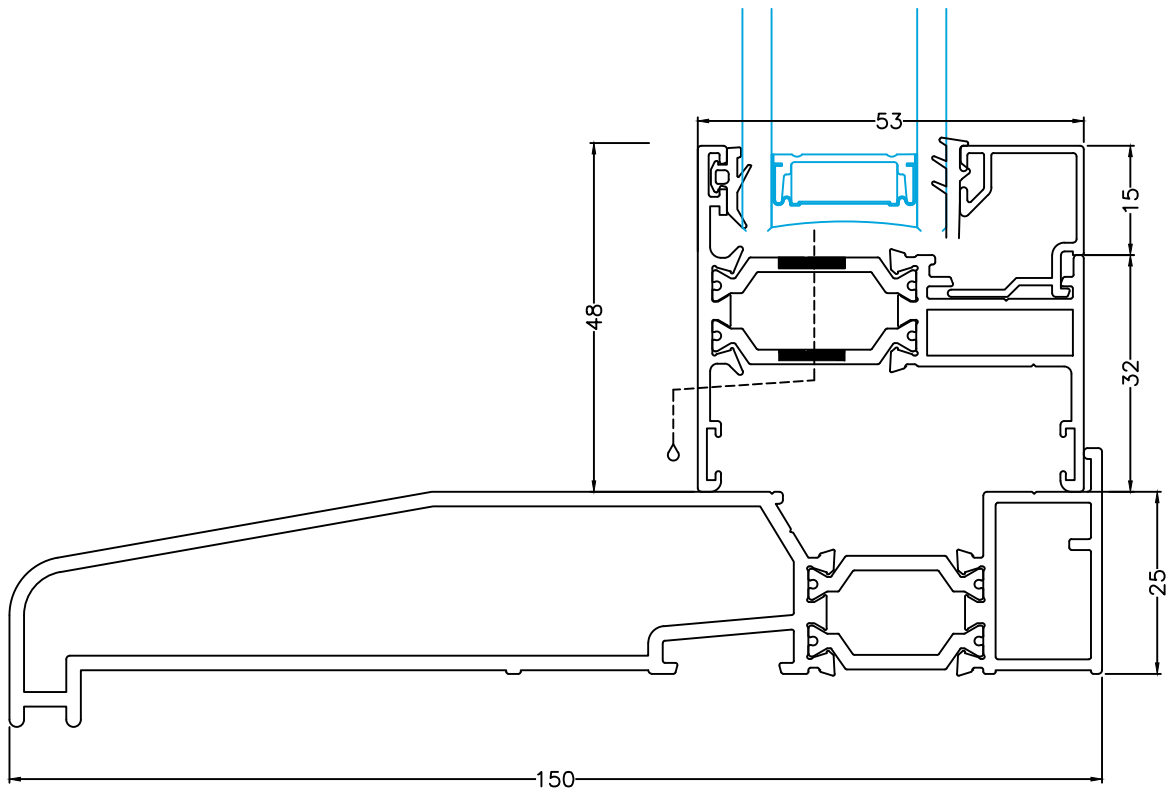


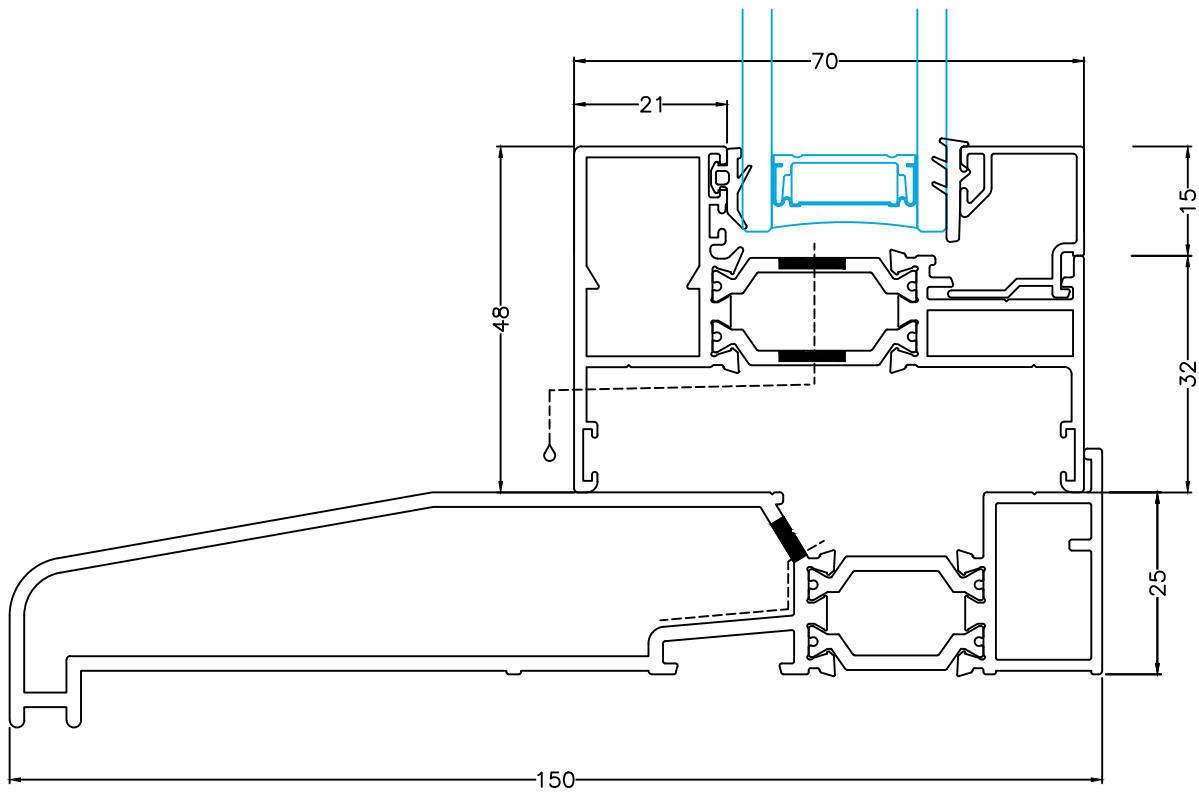






Sill Always Required See B1 for Size Options





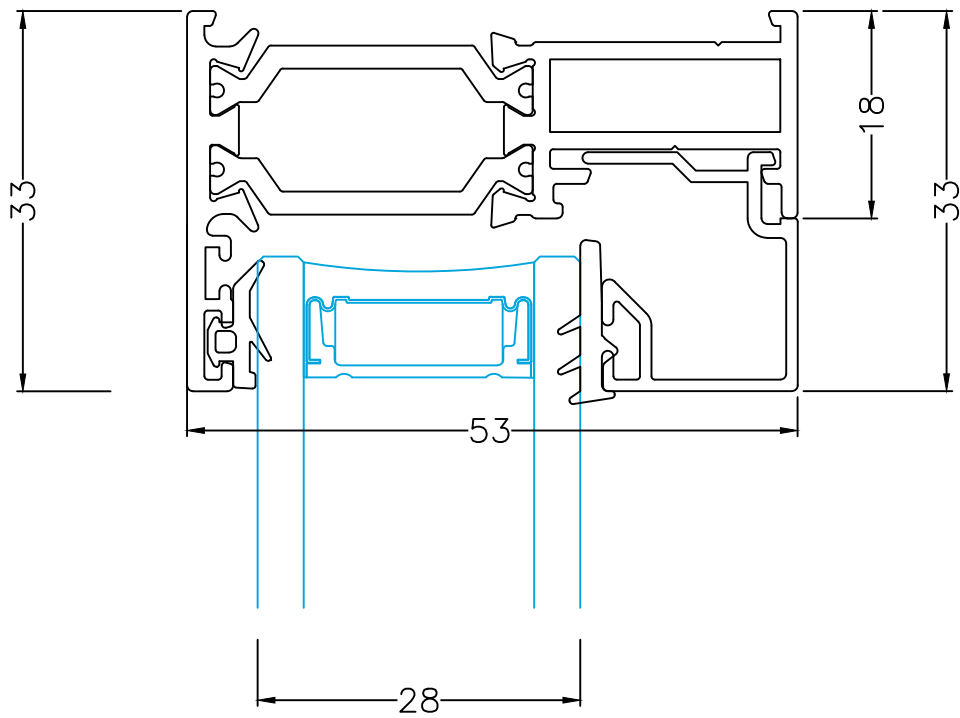
Description: Sill Detail - 70mm Frame - Fixed

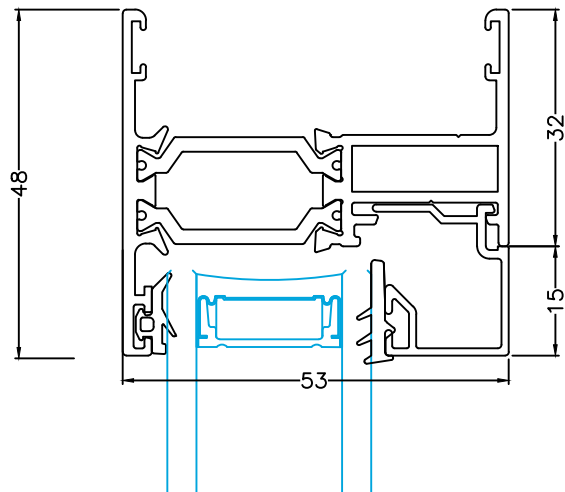
System: Vision Window

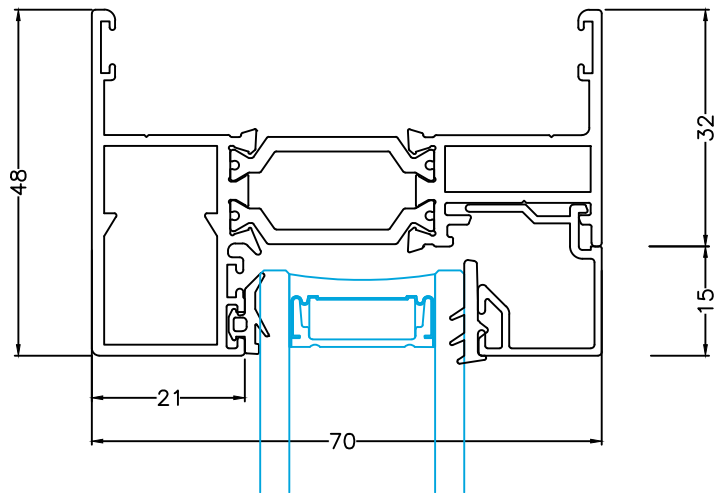
Rev.

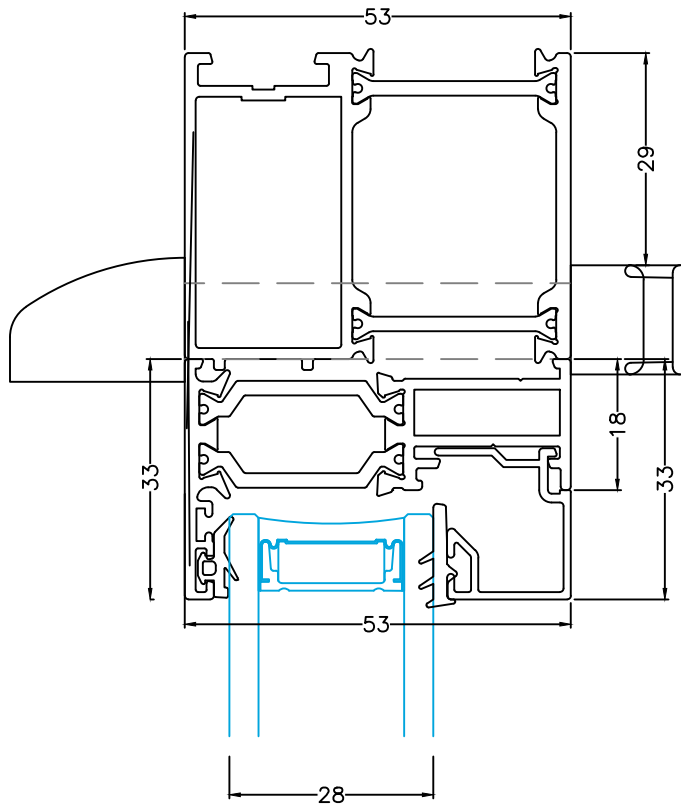
Page: A18

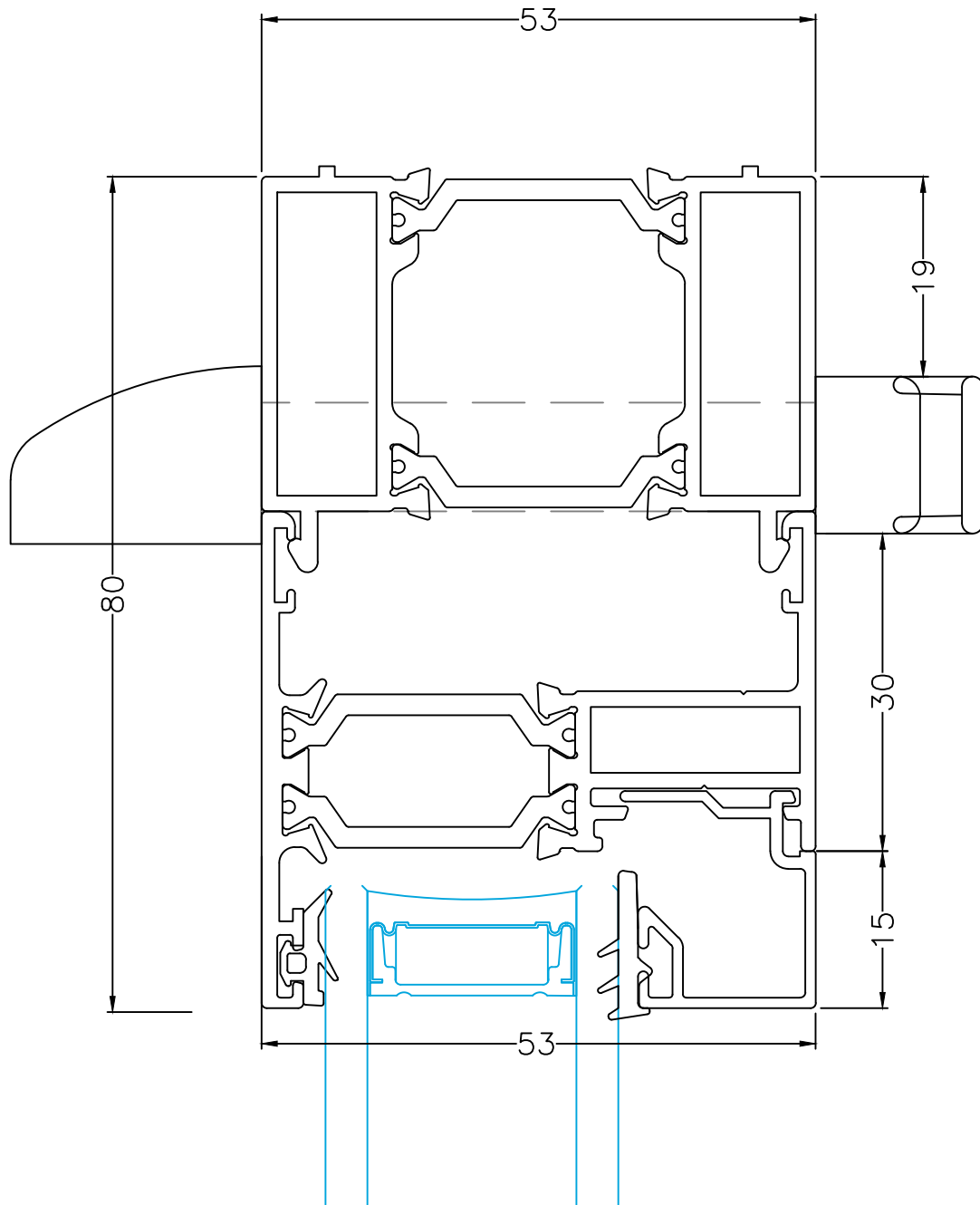
**A**



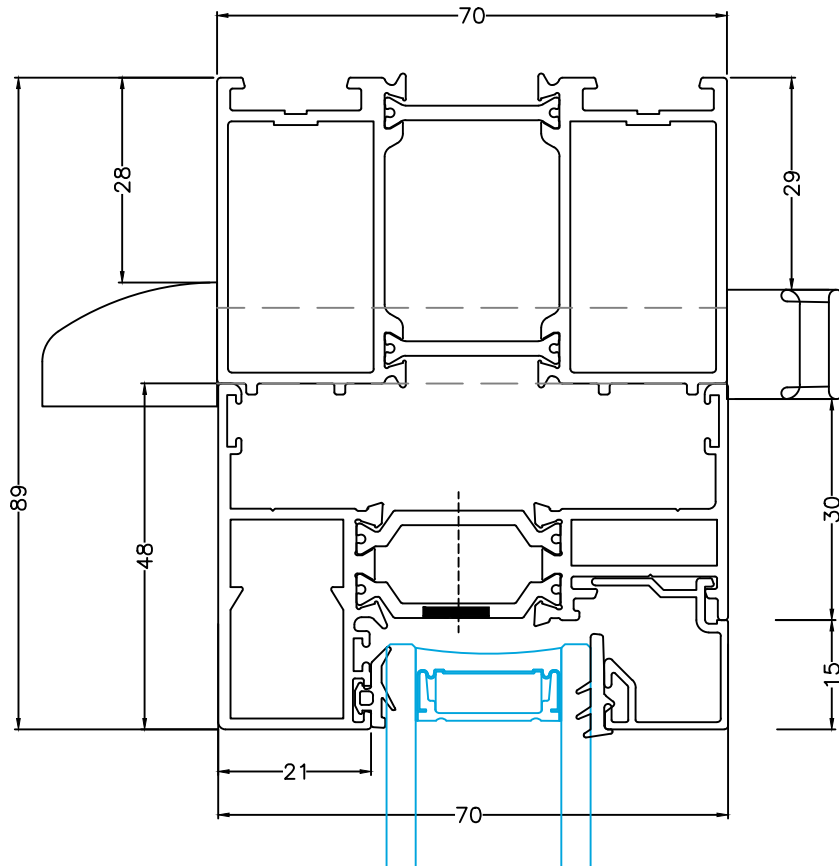


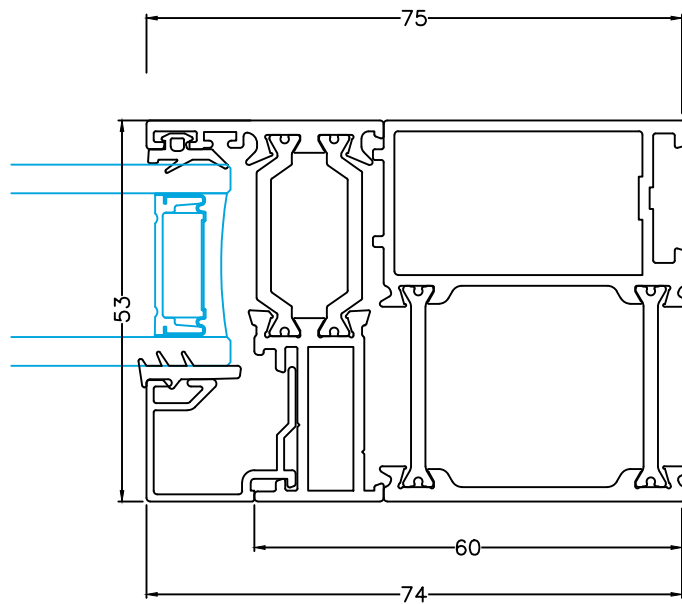
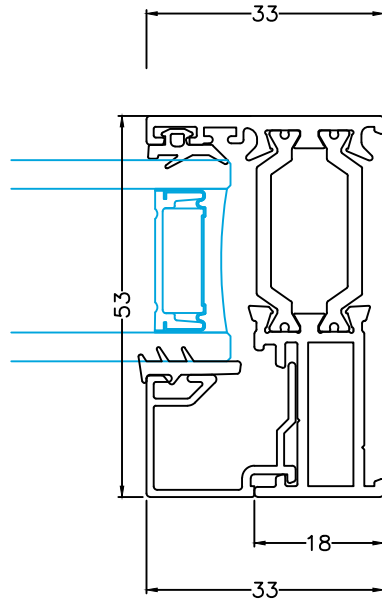


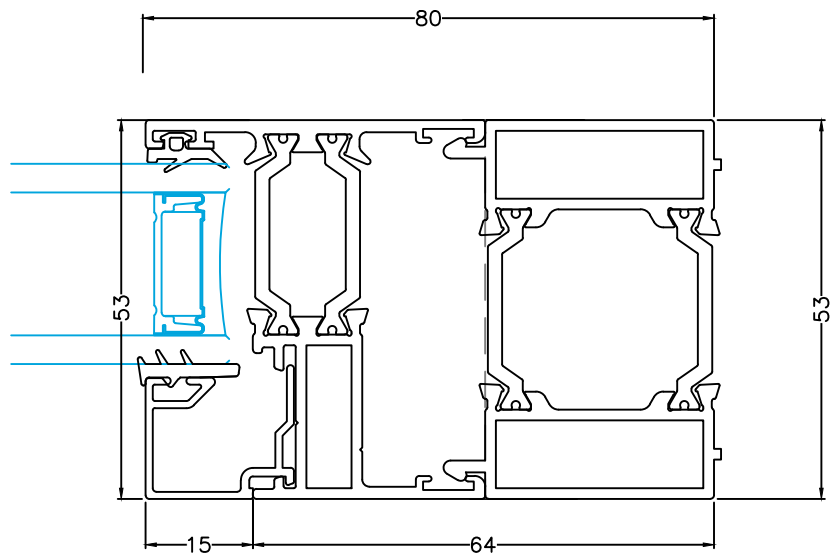
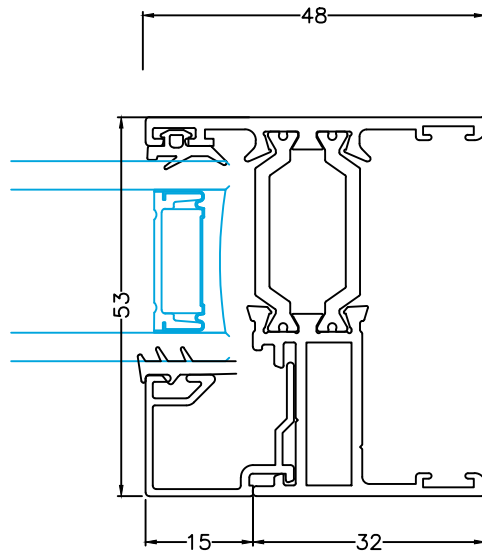


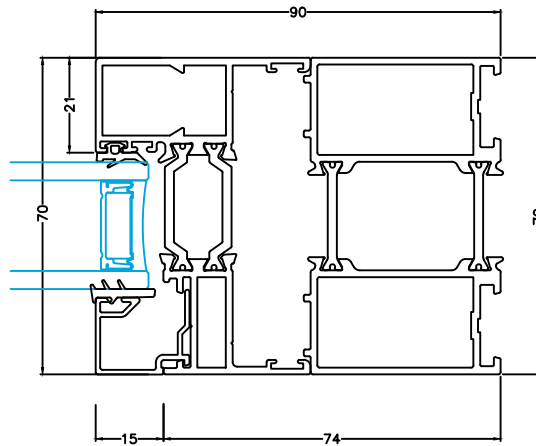
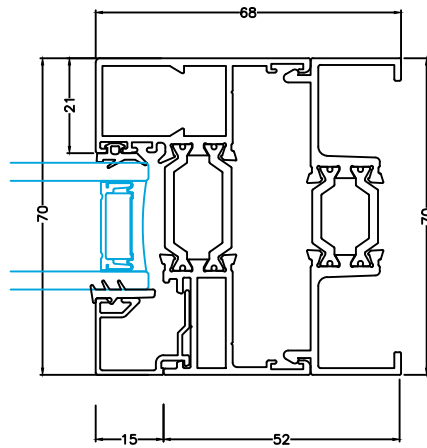
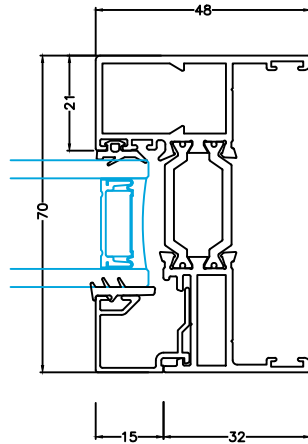












# SECTION B:

## Additional Sections

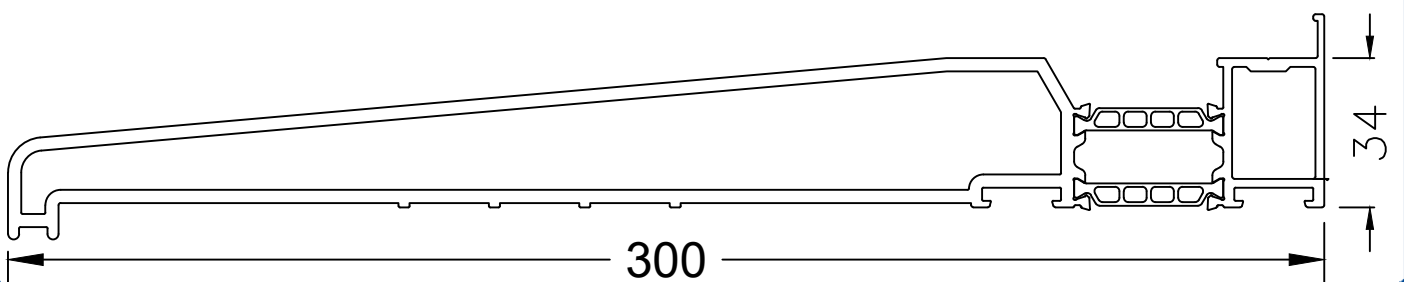
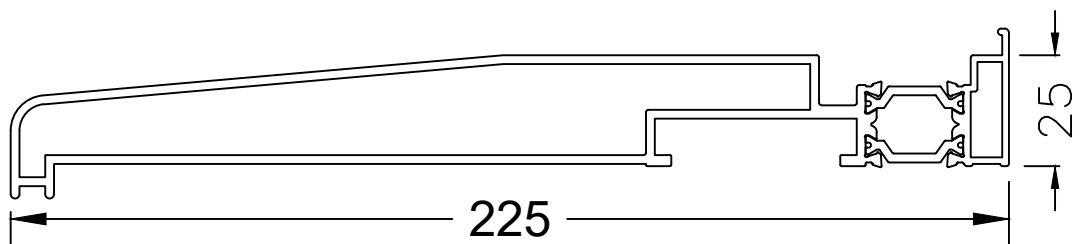
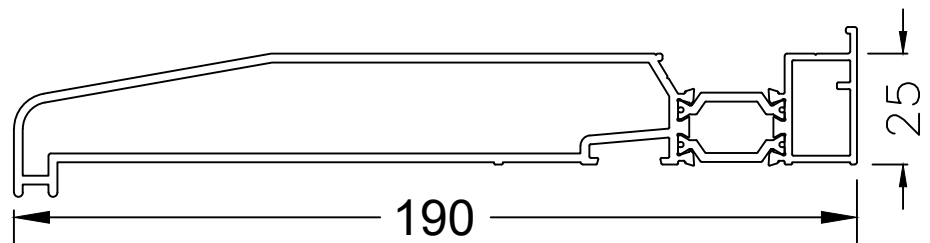
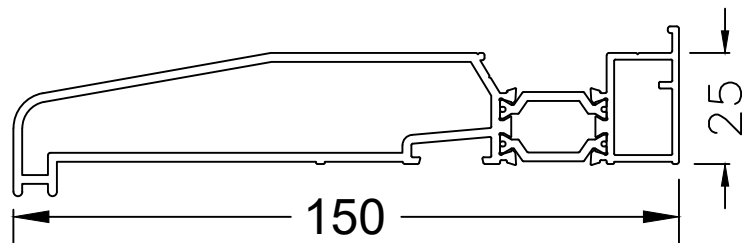
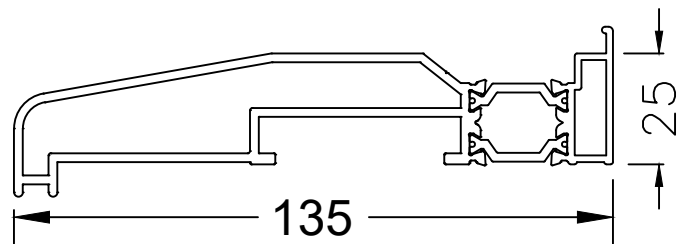
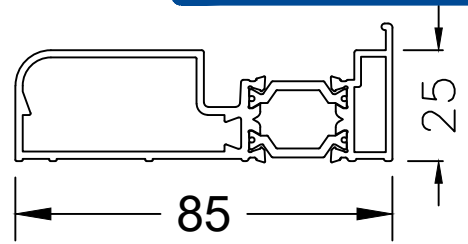
Description:

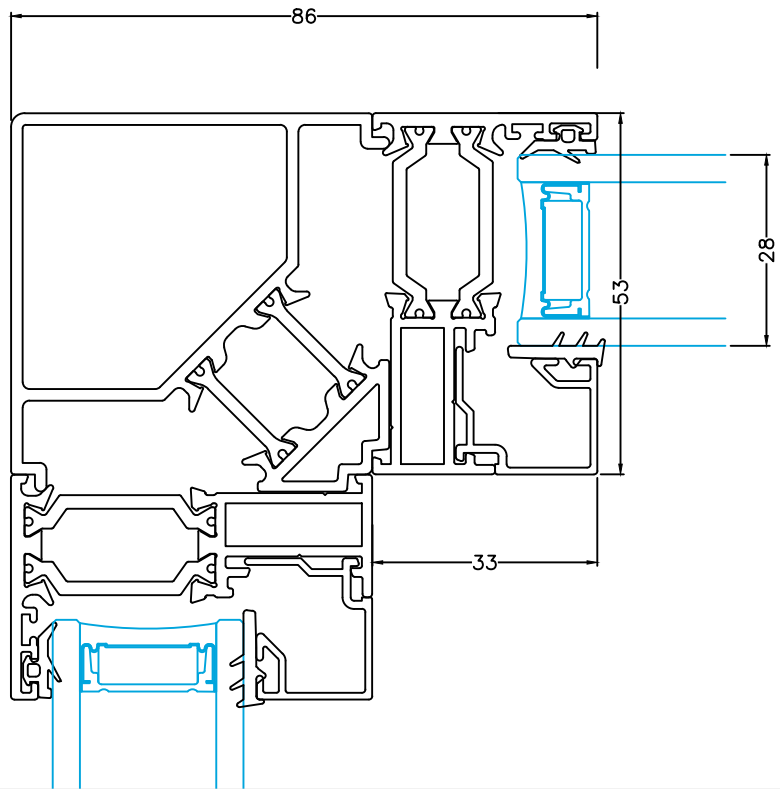
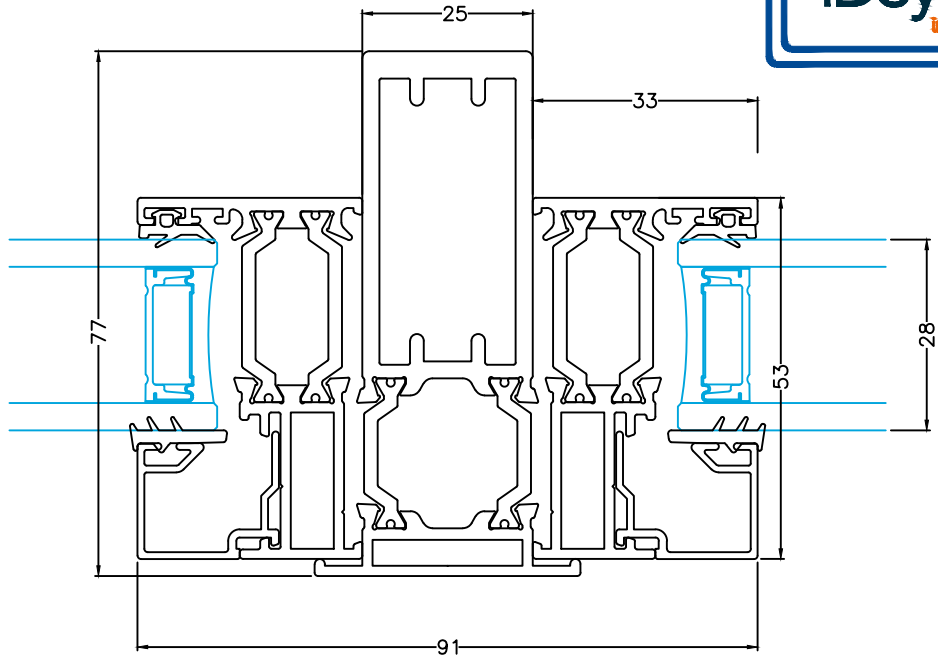
System: Vision Window

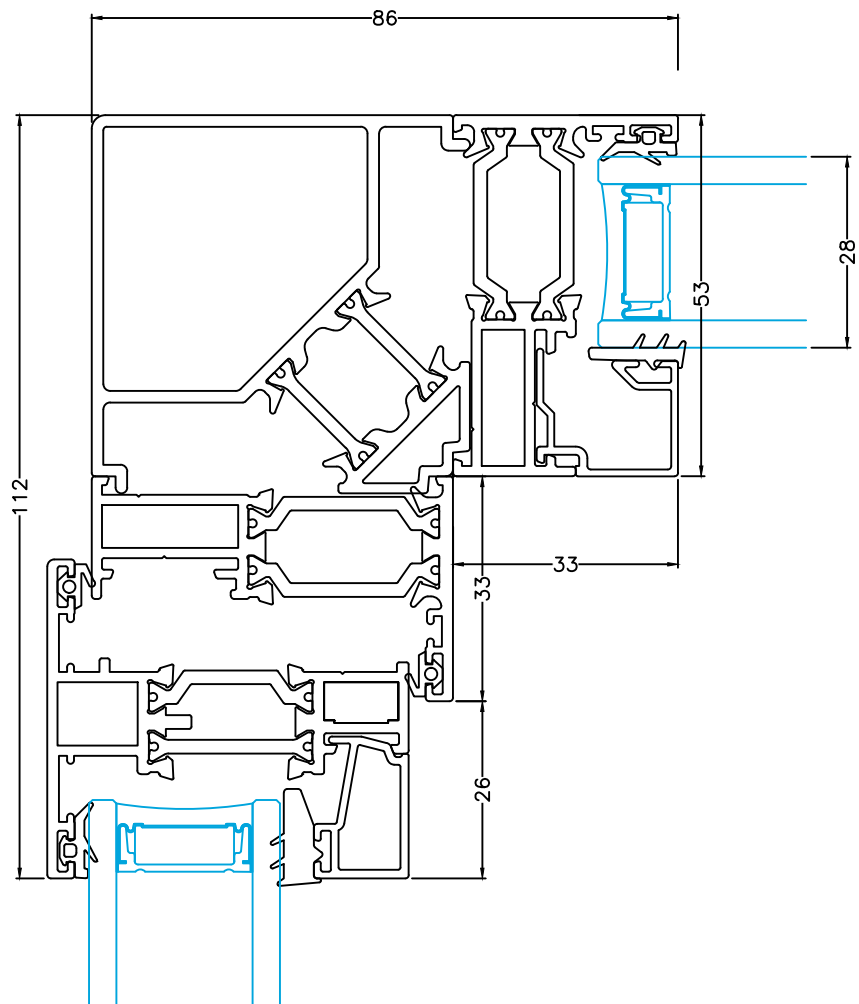
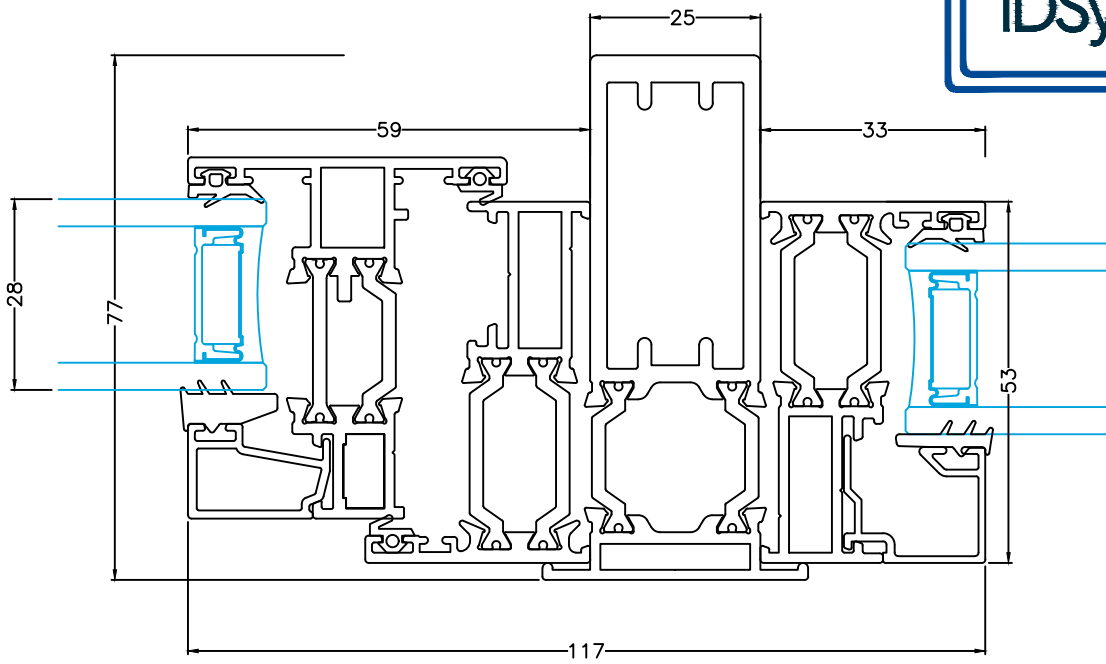
Rev.

Page: SECTION\_B

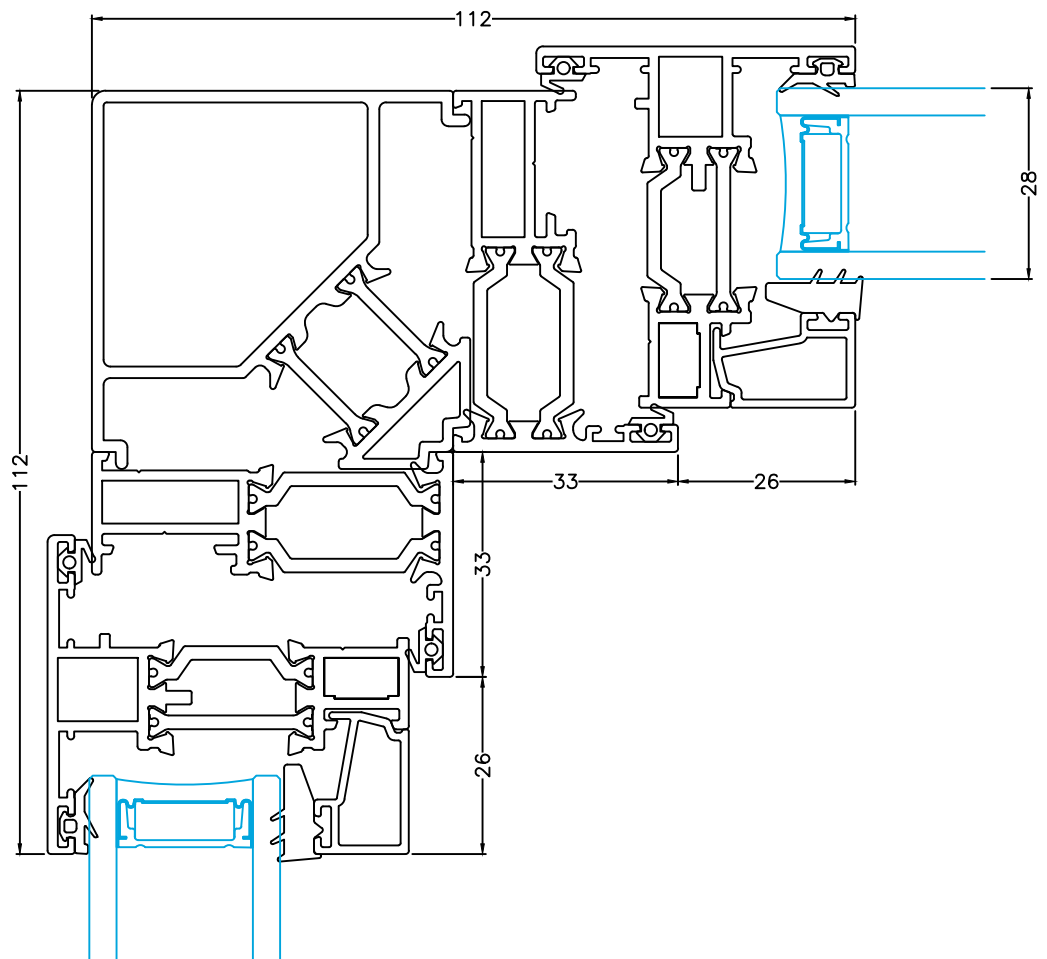
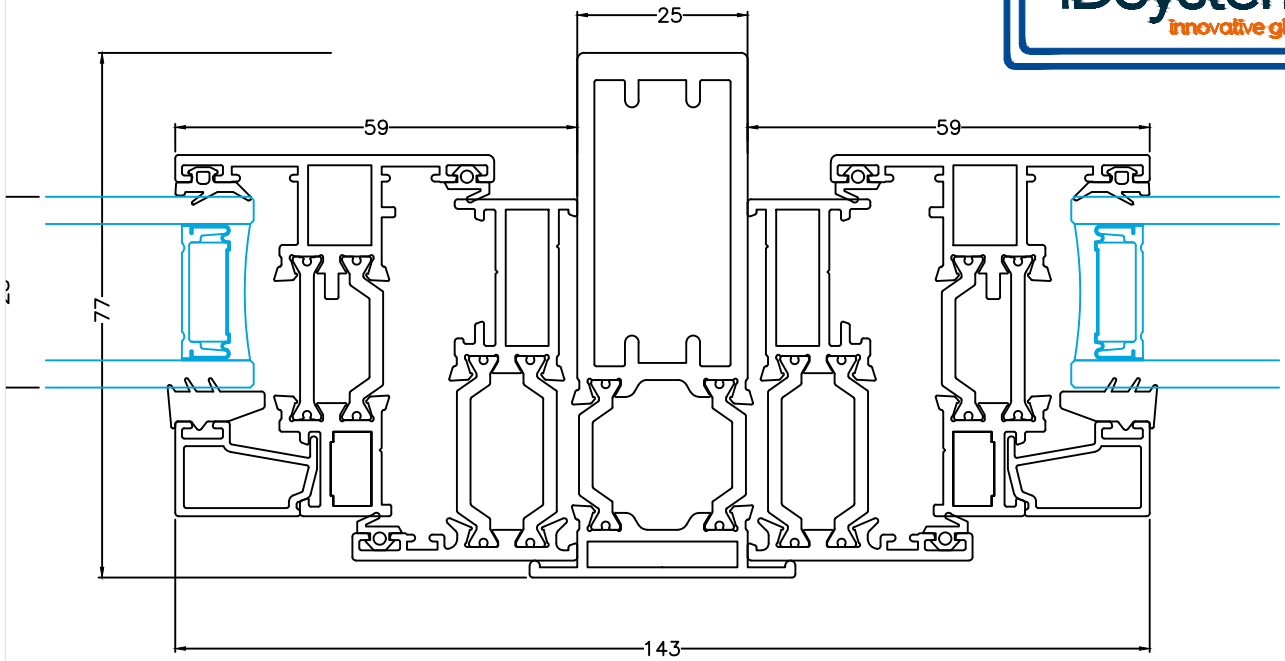
**A**

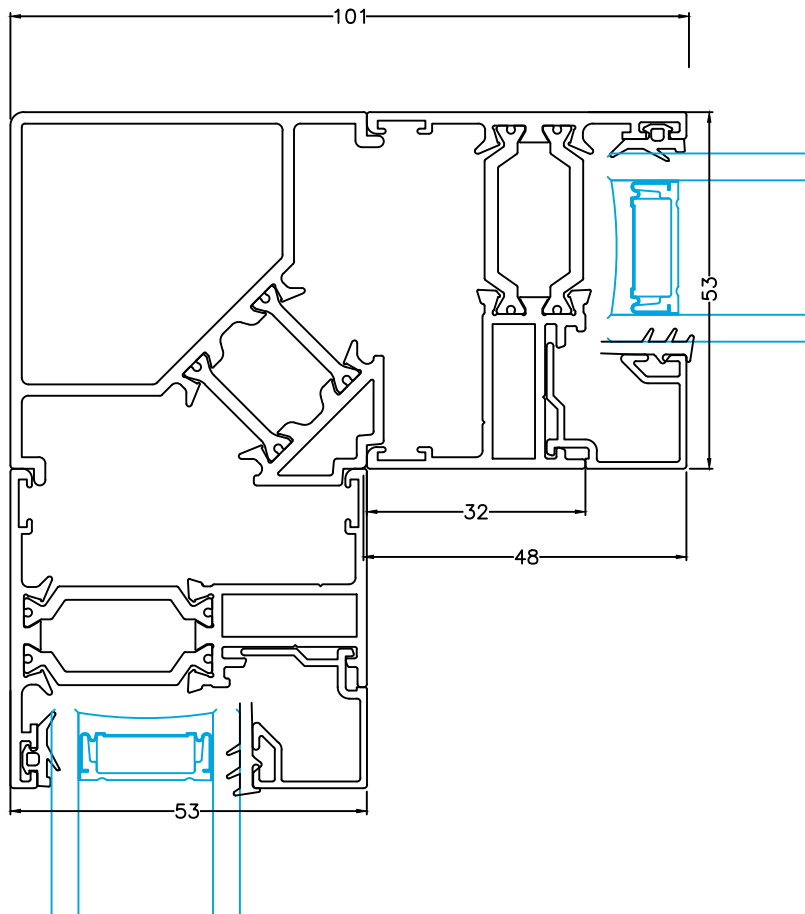
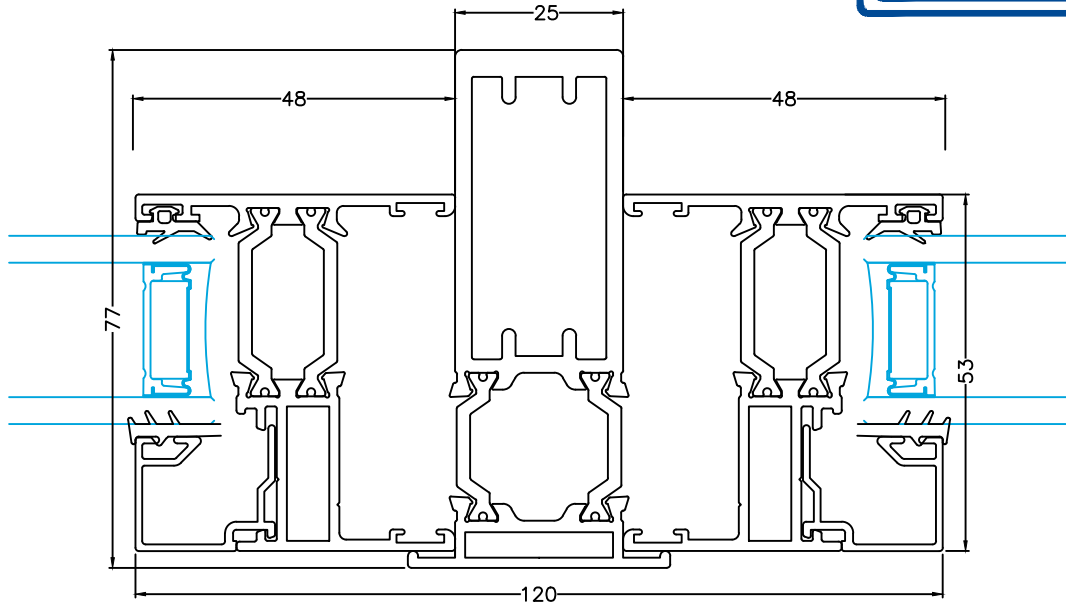


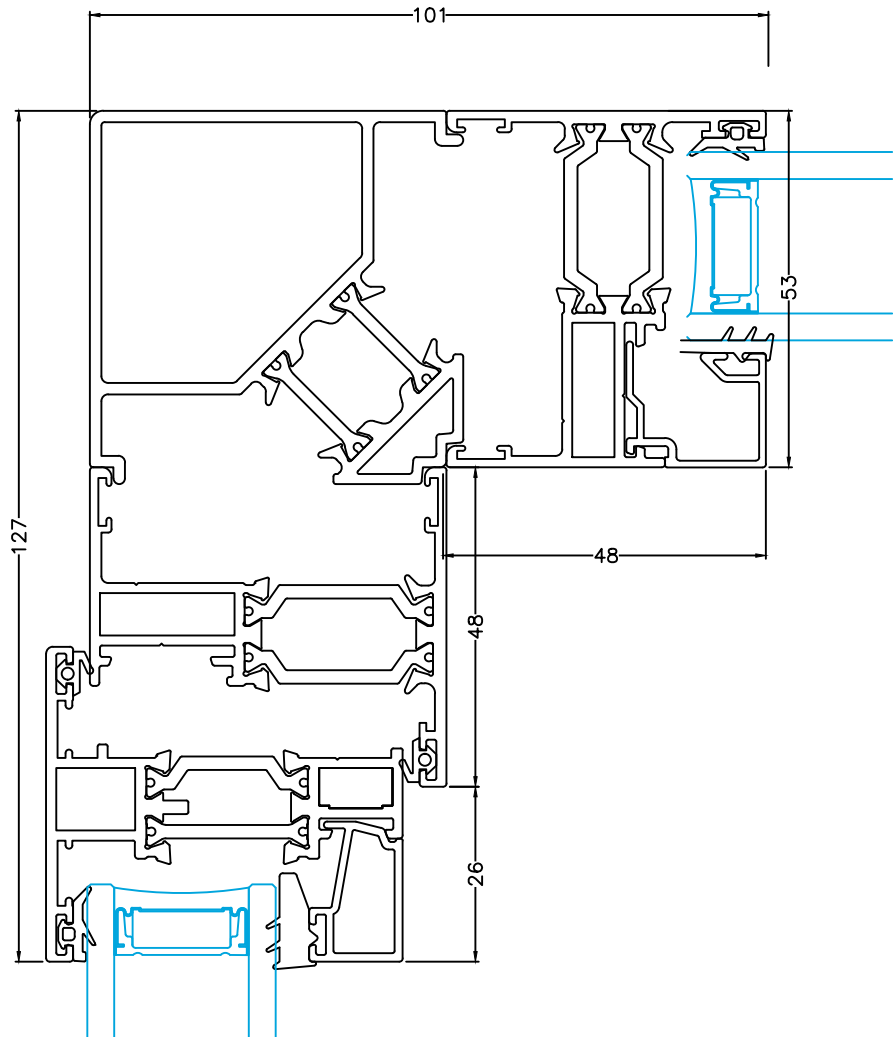
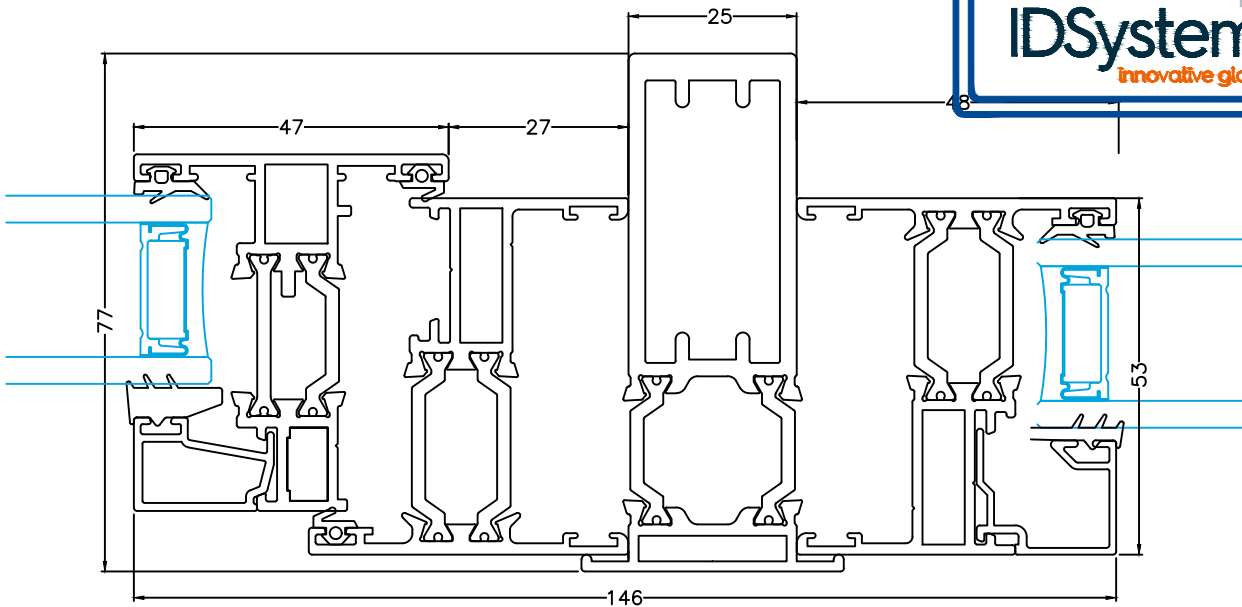


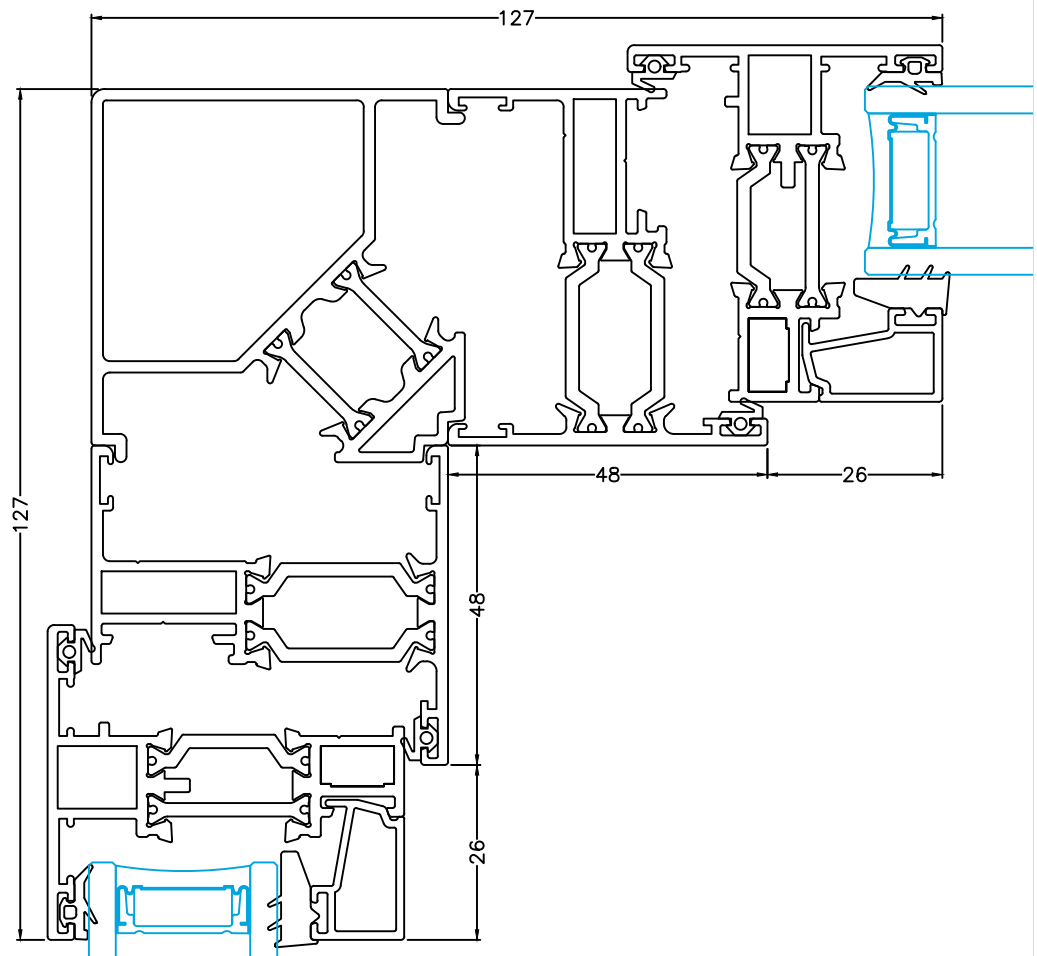
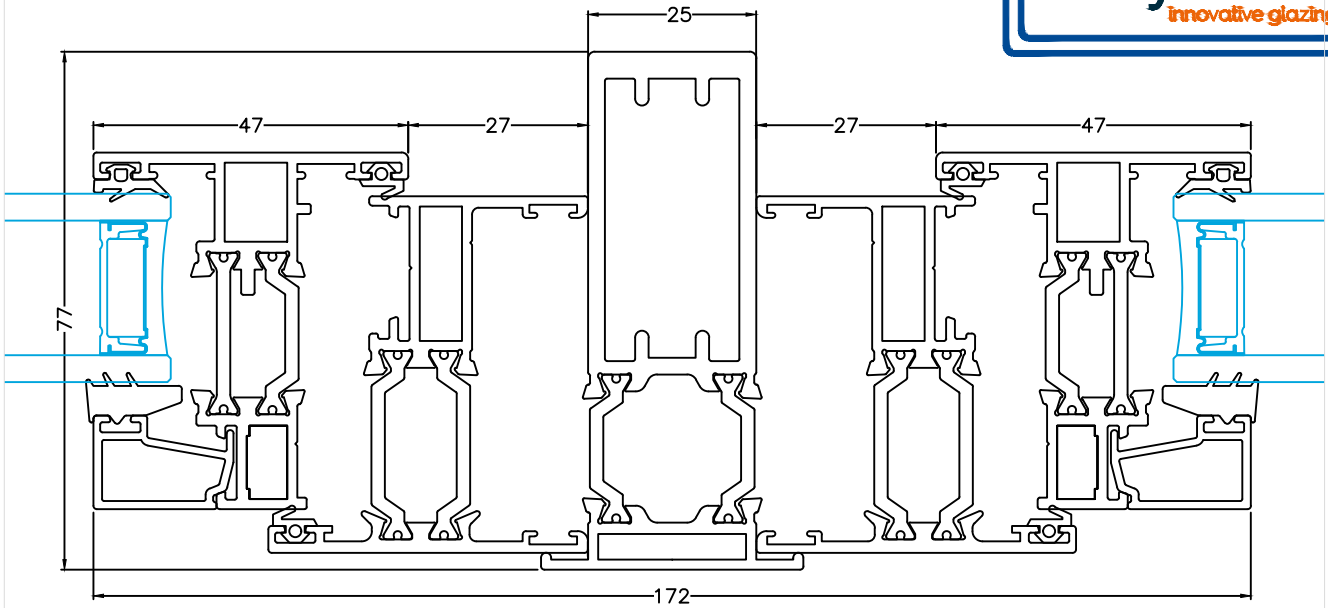












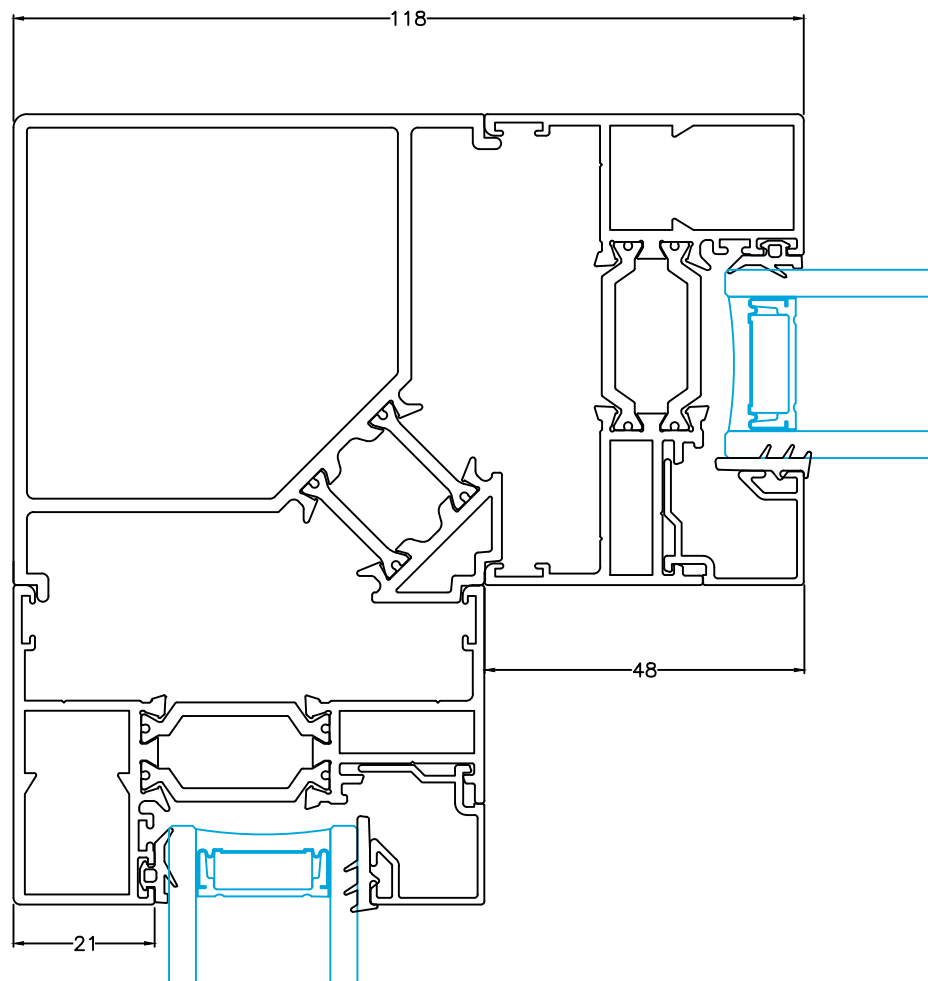
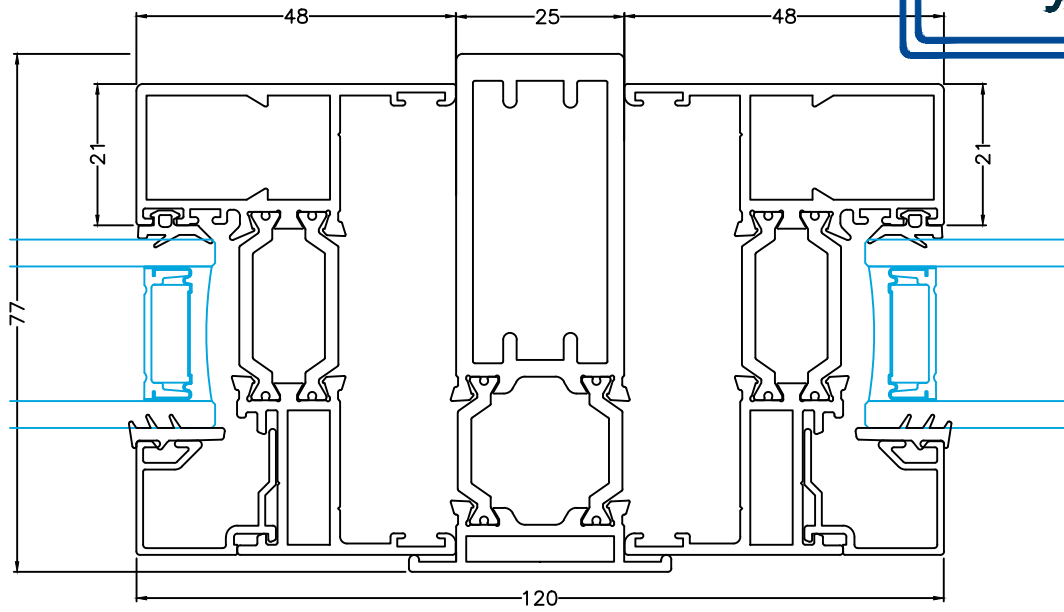
Description: Wide Frame - Opener to Opener Couplers - Inline and 90 degrees

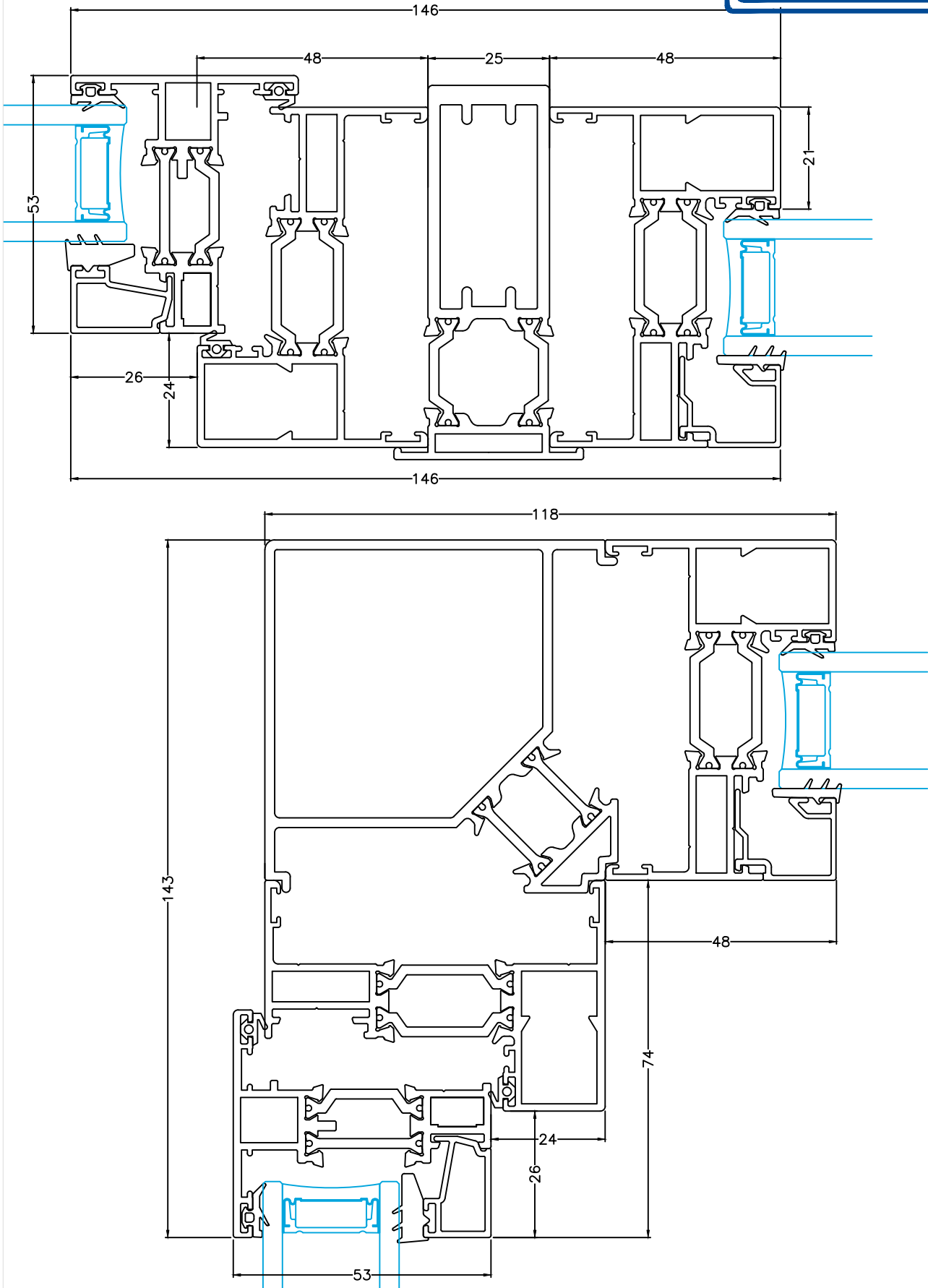
System: Vision Window

Rev.

Page: B7

**A**





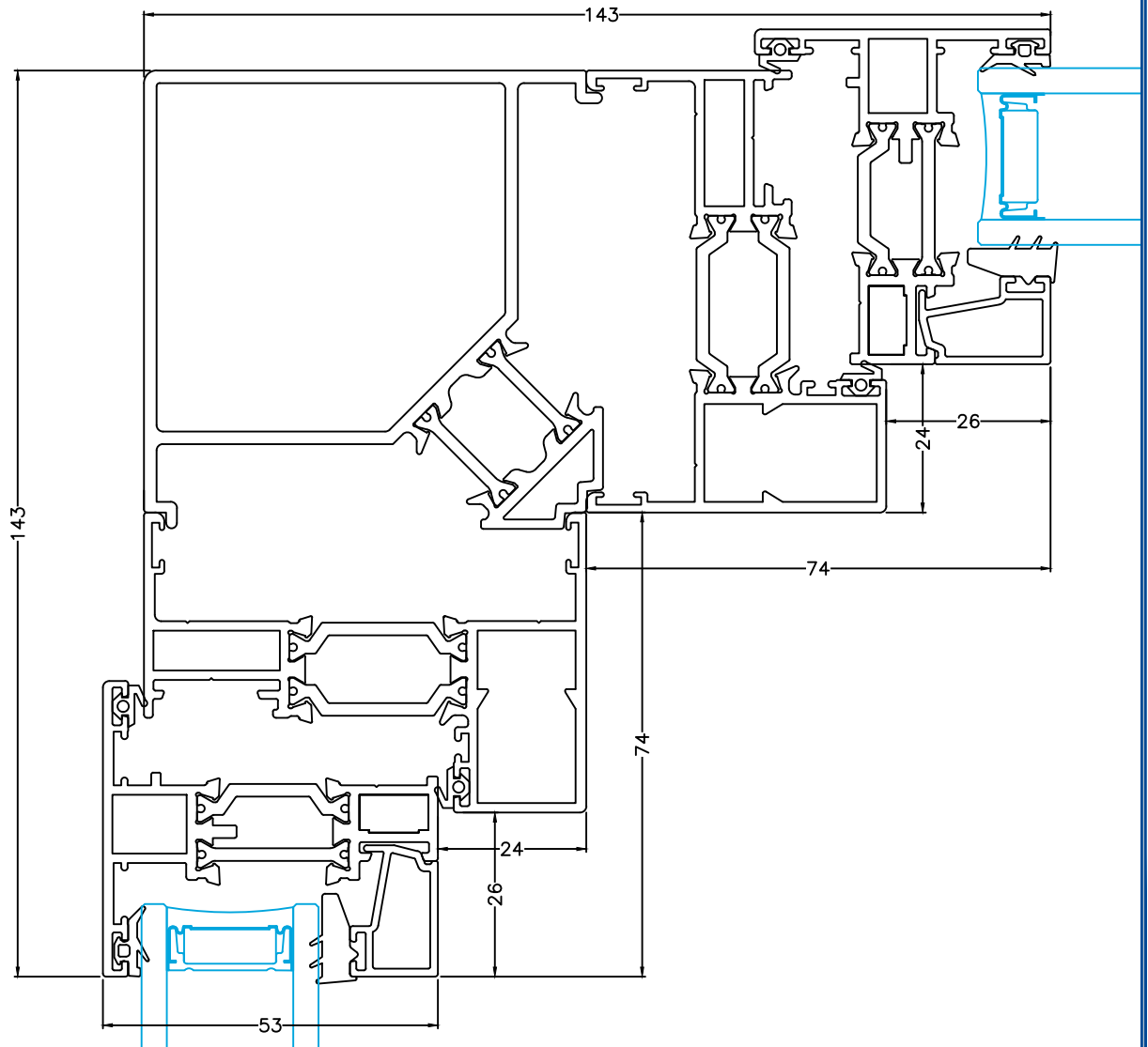
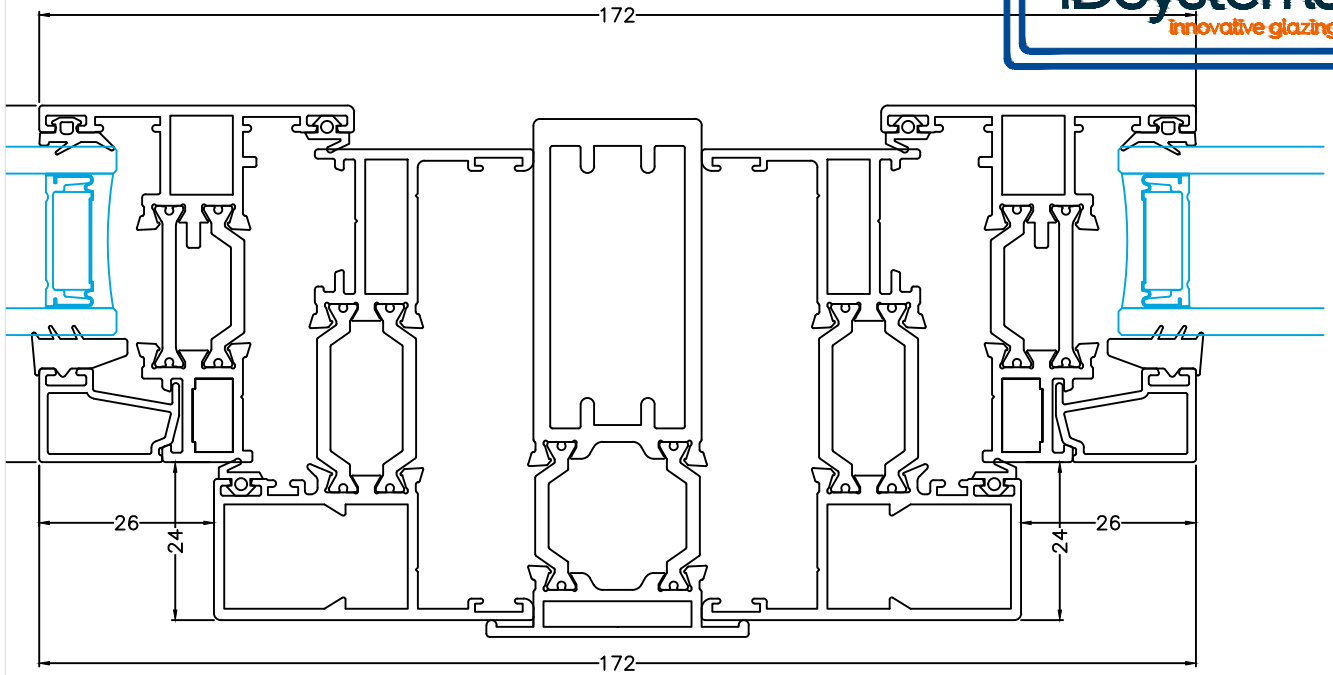
Description: 70mm Frame - Opener to Fixed Couplers - Inline and 90 degrees

System: Vision Window

Rev.

Page: B9

**A**



Description: 70mm Frame - Opener to Opener Couplers - Inline and 90 degrees

System: Vision Window

Rev.

Page: B10

**A**

