

# The Edge 2.0 (Triple Track) Product Manual

Contents:

SECTION A:

Typical Sections

SECTION B:

Hardware Options

SECTION C:

Pocket Slider Typical Sections

SECTION D:

Coupling Details

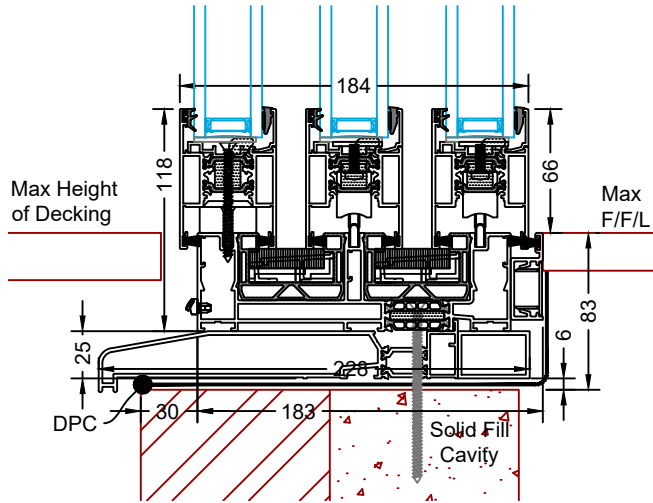
SECTION E:

Statics

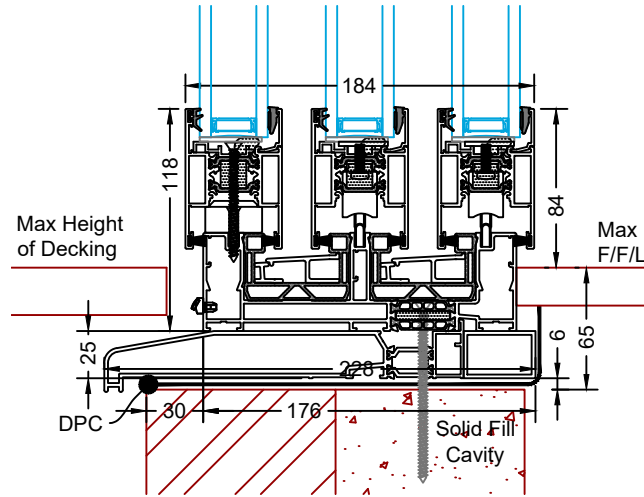
# The Edge 2.0 (Triple Track)

## TYPICAL SECTIONS

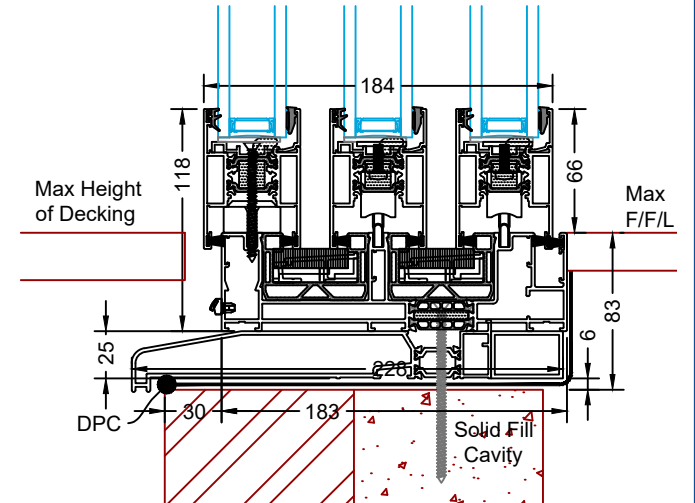
Triple Track 228mm Sill  
With Internal  
Flush Floor Detail



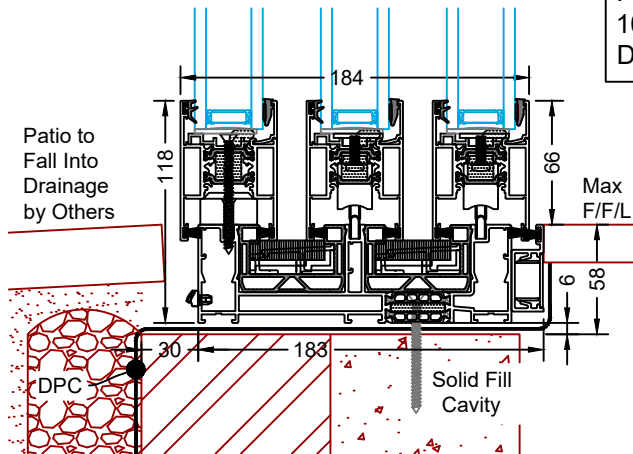
Triple Track 228mm Sill  
With Non-Flush  
Internal Floor Detail



Triple Track 228mm Sill  
With Flush Internal Profile All Round

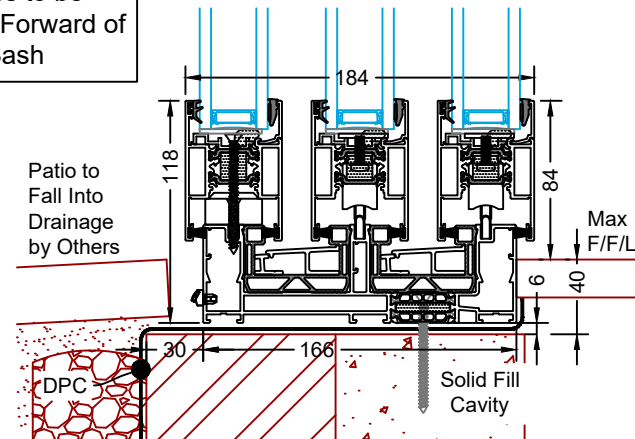


Triple Track  
With Internal  
Flush Floor Detail

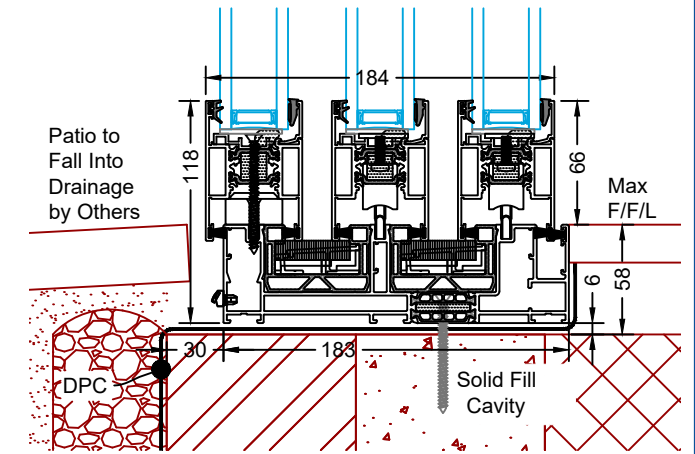


Note: All External  
Finishes to be  
10mm Forward of  
Door Sash

Triple Track  
With Non-Flush  
Internal Floor Detail



Triple Track  
With Flush Internal Profile all Round

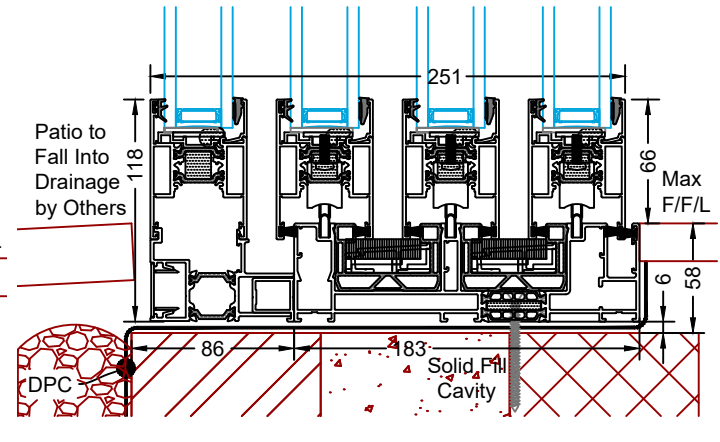
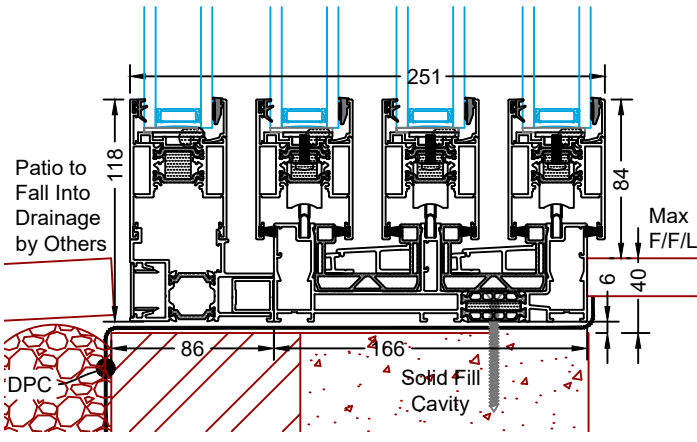
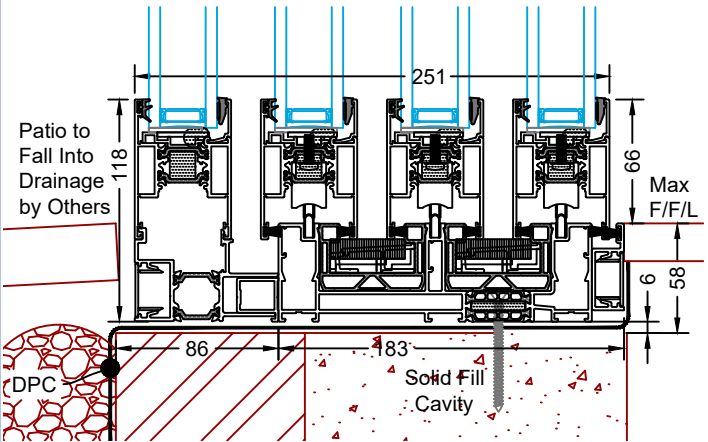


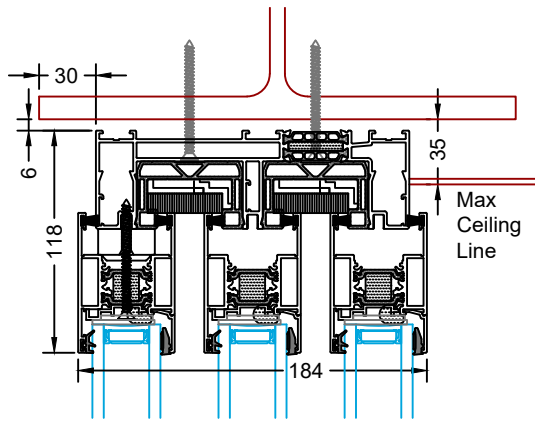
Note: All External Finishes to be 10mm Forward of Door Sash

Triple Track & Plant-on Panel  
With Internal  
Flush Floor Detail

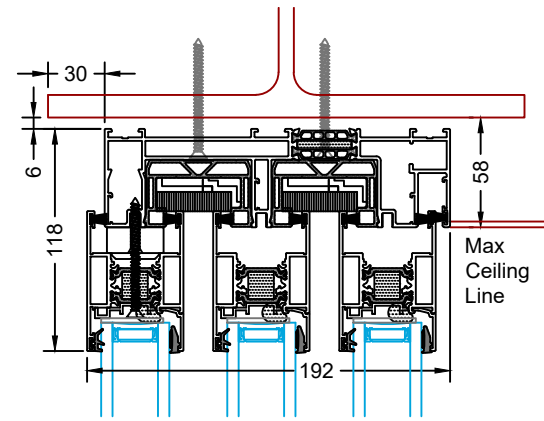
Triple Track & Plant-on Panel  
With Non-Flush  
Internal Floor Detail

Triple Track & Plant-on Panel  
With Flush Internal Profile All Round

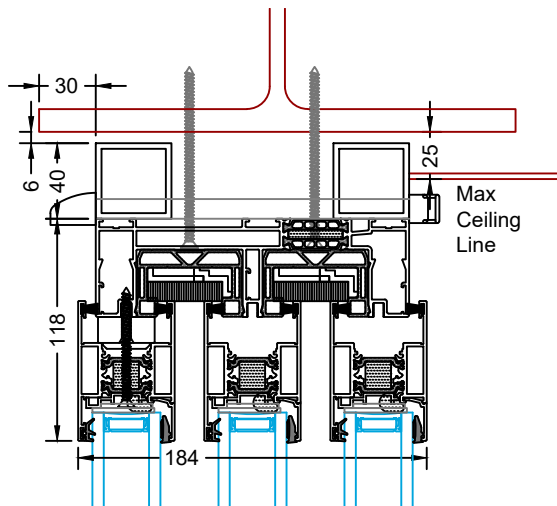




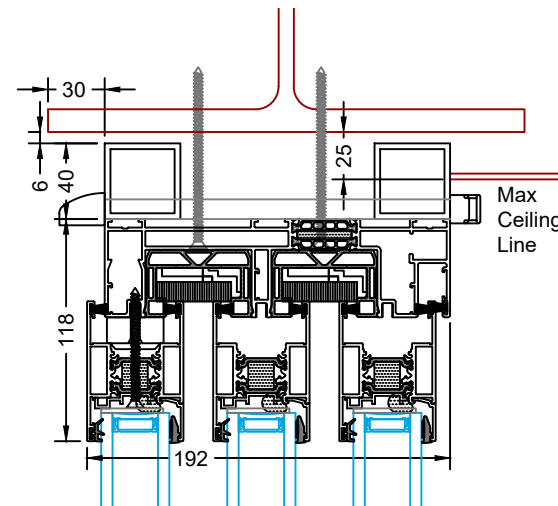
Triple Track



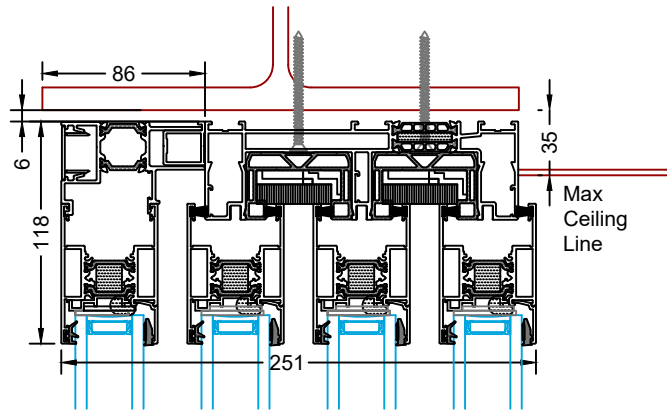
Triple Track  
With Flush Internal Profile All Round



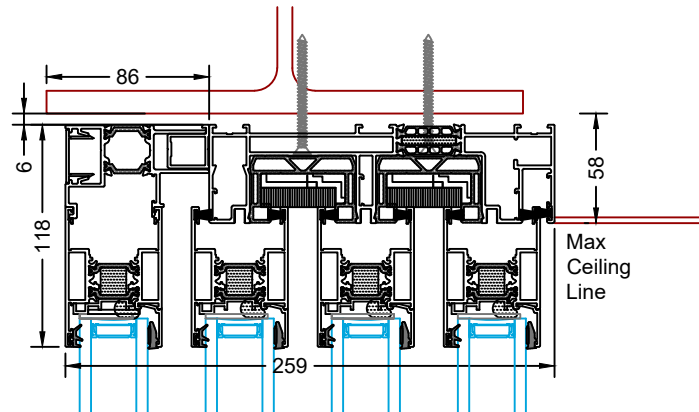
Triple Track  
With Trickle Vent



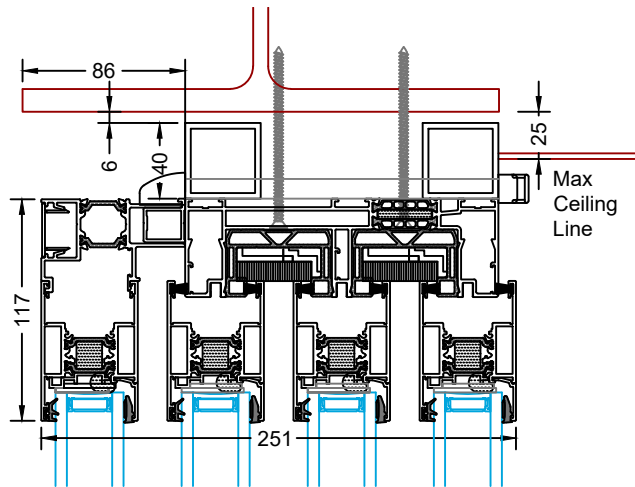
Triple Track  
With Flush Internal Profile All Round  
And Trickle Vent



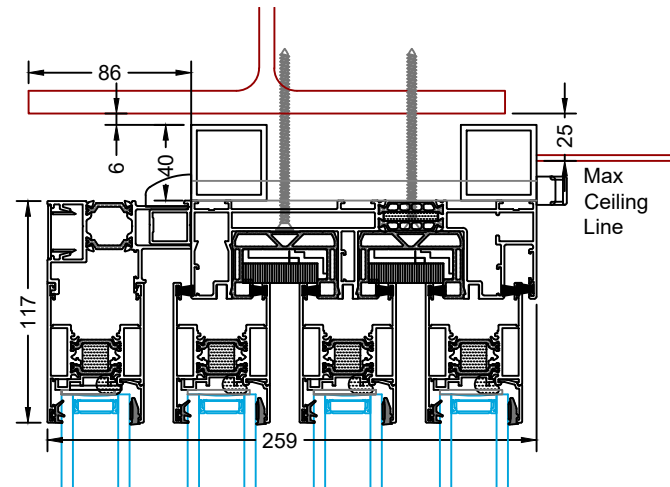
Triple Track with  
Plant-on Panel



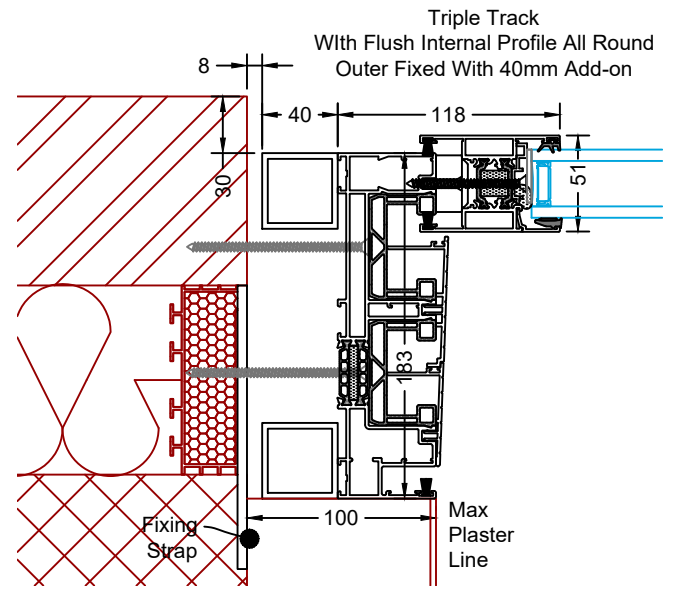
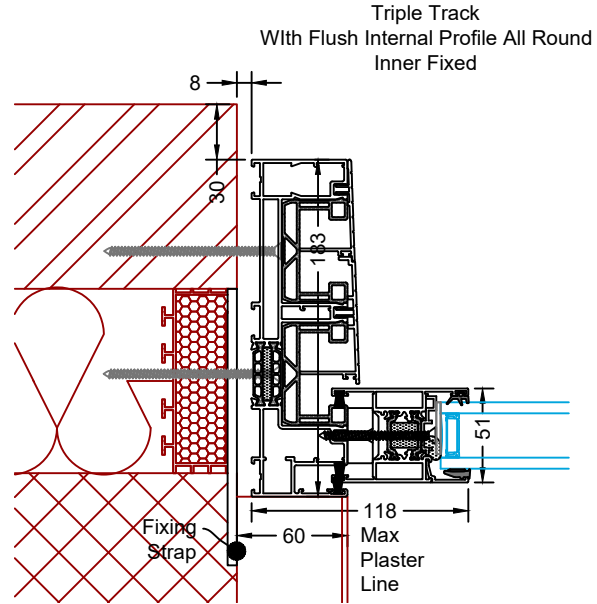
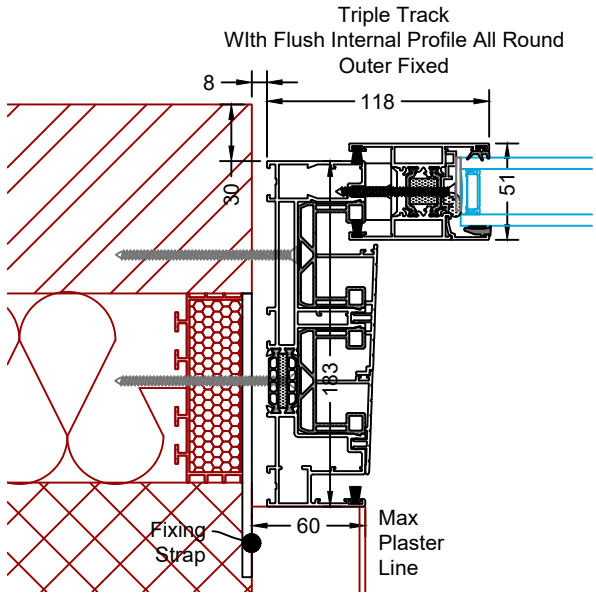
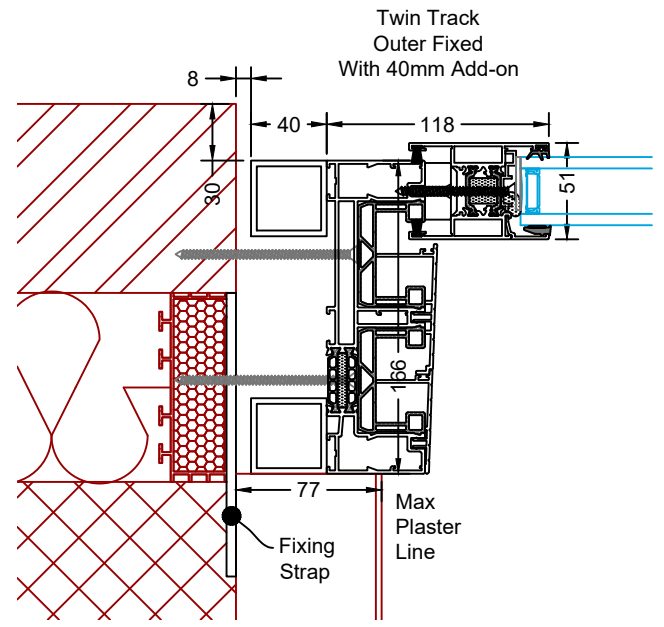
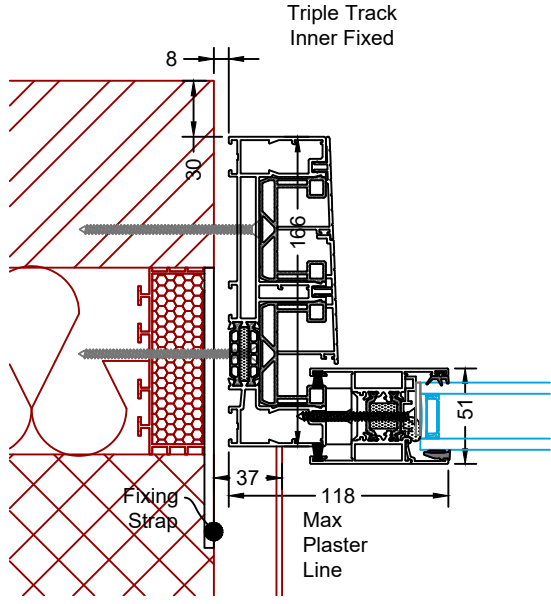
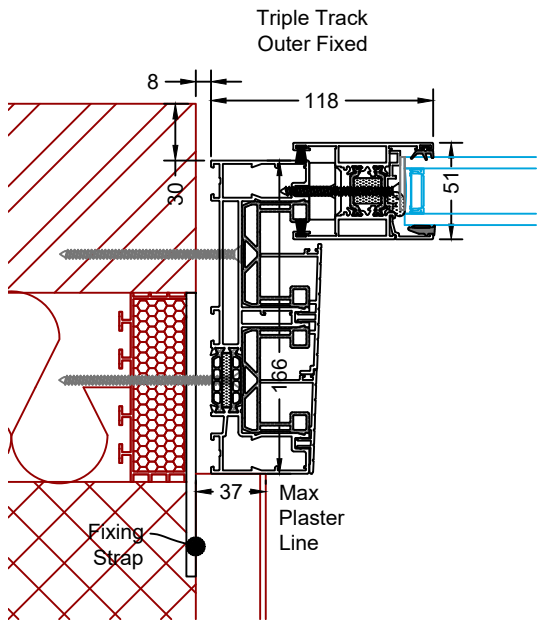
Triple Track And  
Plant-on Panel  
With Flush Internal Profile All Round



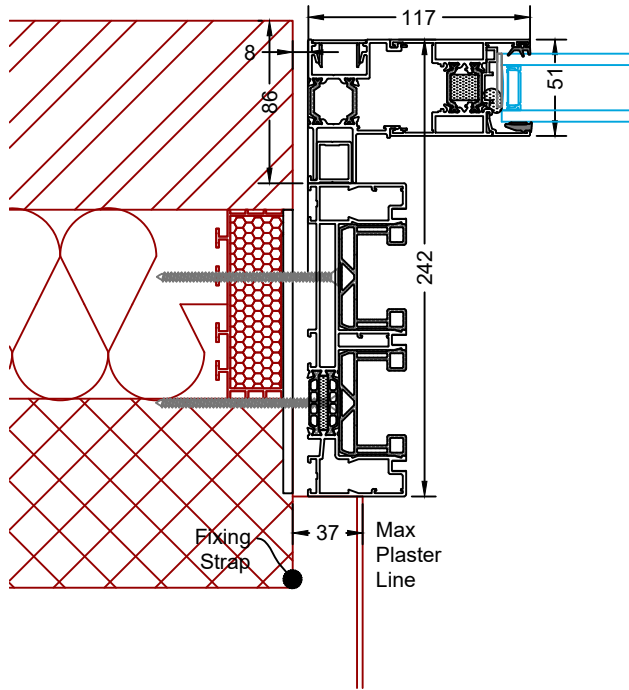
Triple Track And Plant-on Panel  
With Trickle Vent



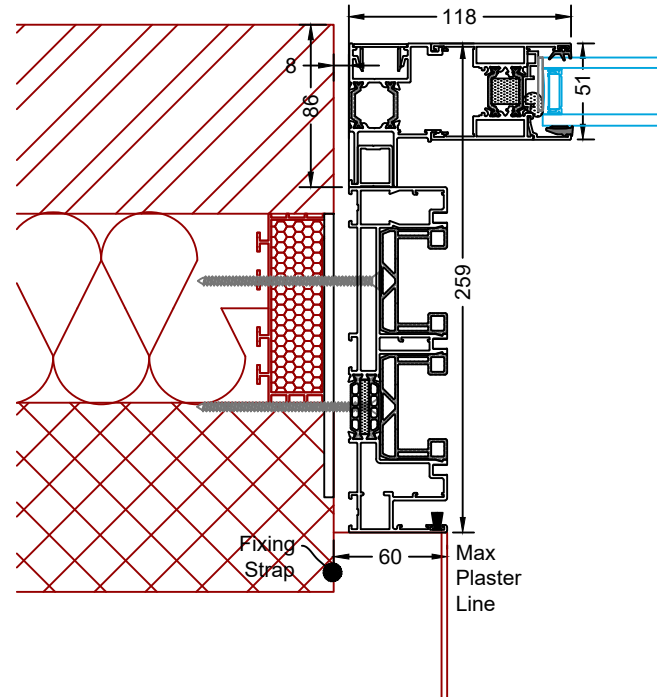
Triple Track And Plant-on Panel  
With Flush Internal Profile All Round  
And Trickle Vent



Triple Track with  
Plant-on Panel

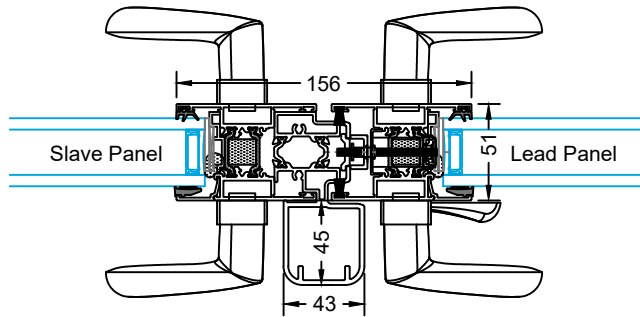


Triple Track And  
Plant-on Panel  
With Flush Internal Profile All Round



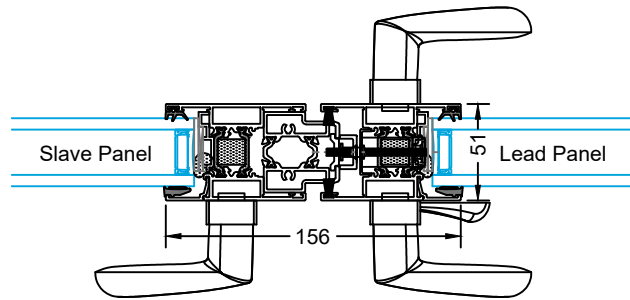


Centre Meeting  
Closing Rebate  
Reinforcement Profile  
(‘D’ Shaped Handle Only)

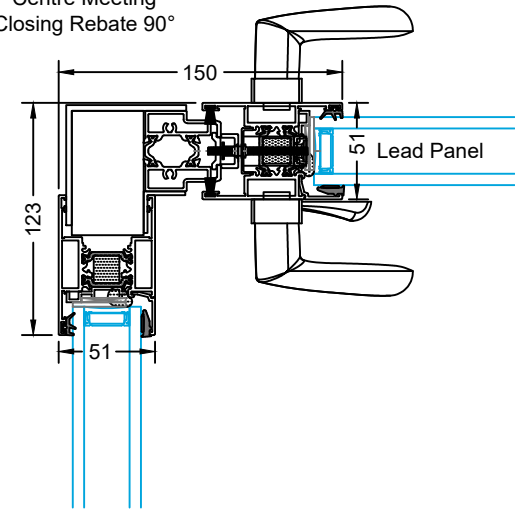


Requirement from 2500mm  
In Exposed Locations

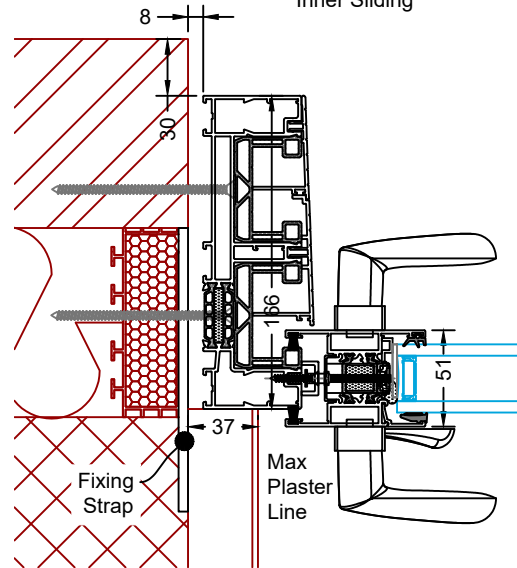
Centre Meeting  
Closing Rebate



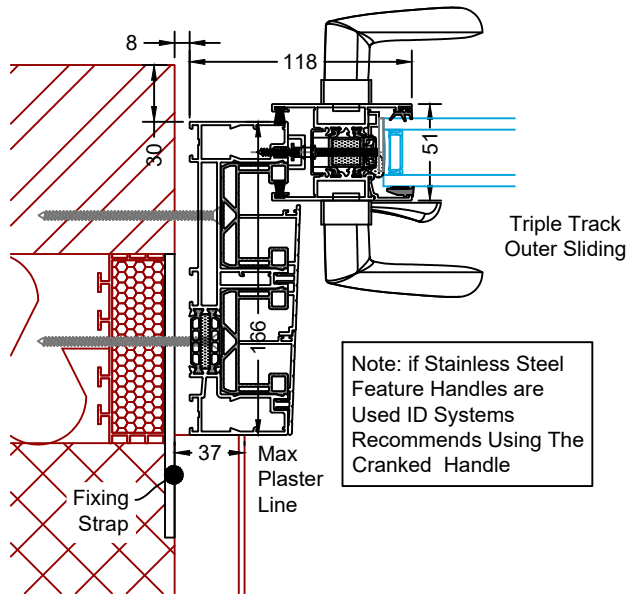
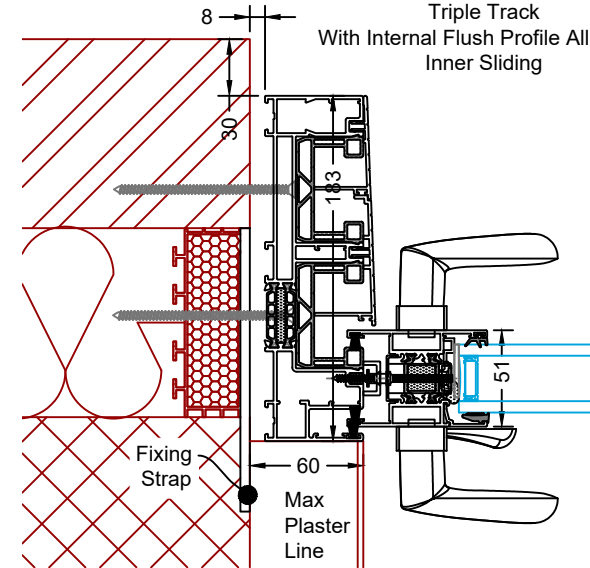
Centre Meeting  
Closing Rebate 90°



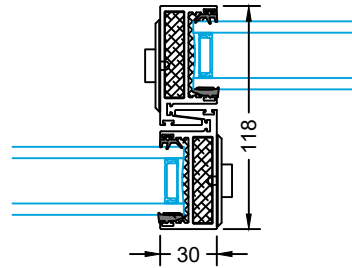
Triple Track  
Inner Sliding



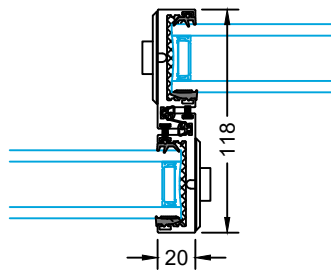
Triple Track  
With Internal Flush Profile All Round  
Inner Sliding



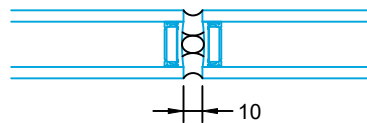
For Profile Limitations,  
See Section E



Heavy Duty Mullion

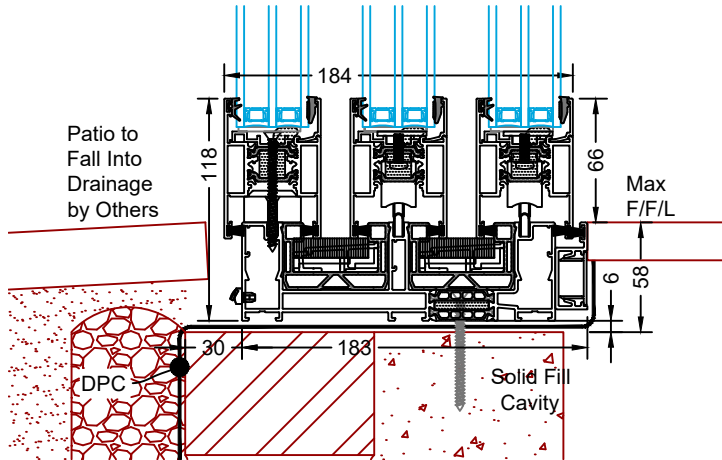


Standard Mullion

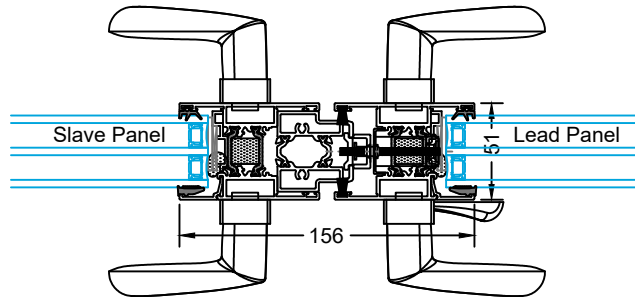


Glass to Glass  
Joint

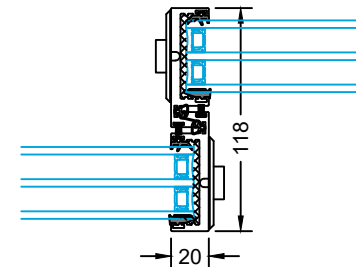
Triple Track  
With Internal  
Flush Floor Detail



Centre Meeting  
Closing Rebate

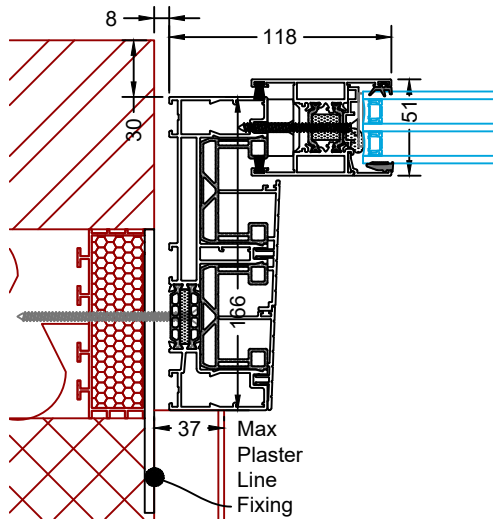


Standard Mullion  
Triple Glazed

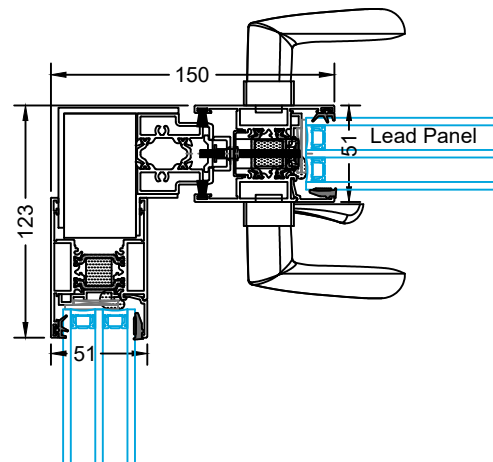


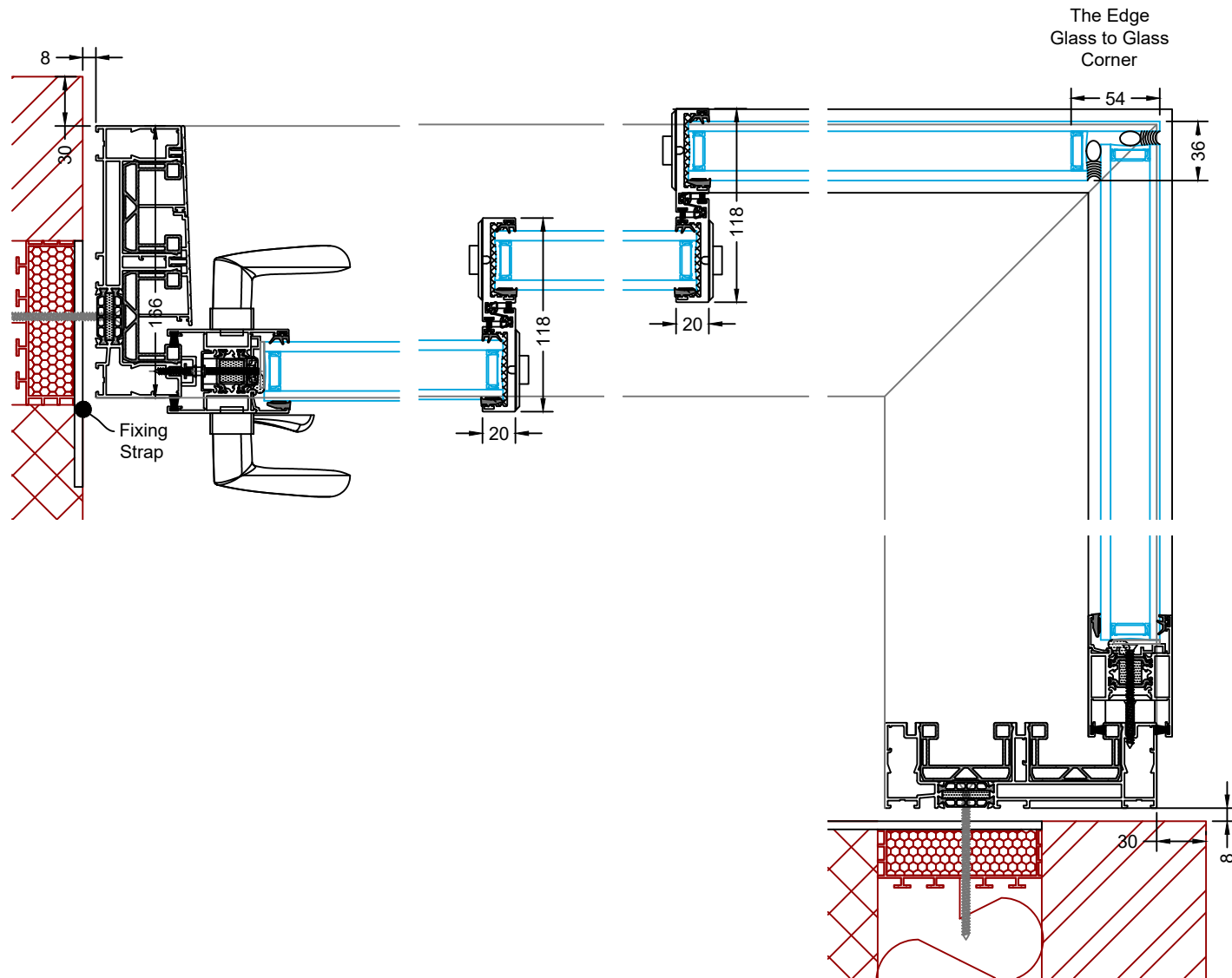
Note: All Previous  
Details are Available  
in 38mm Triple Glazed

Triple Track  
Outer Fixed

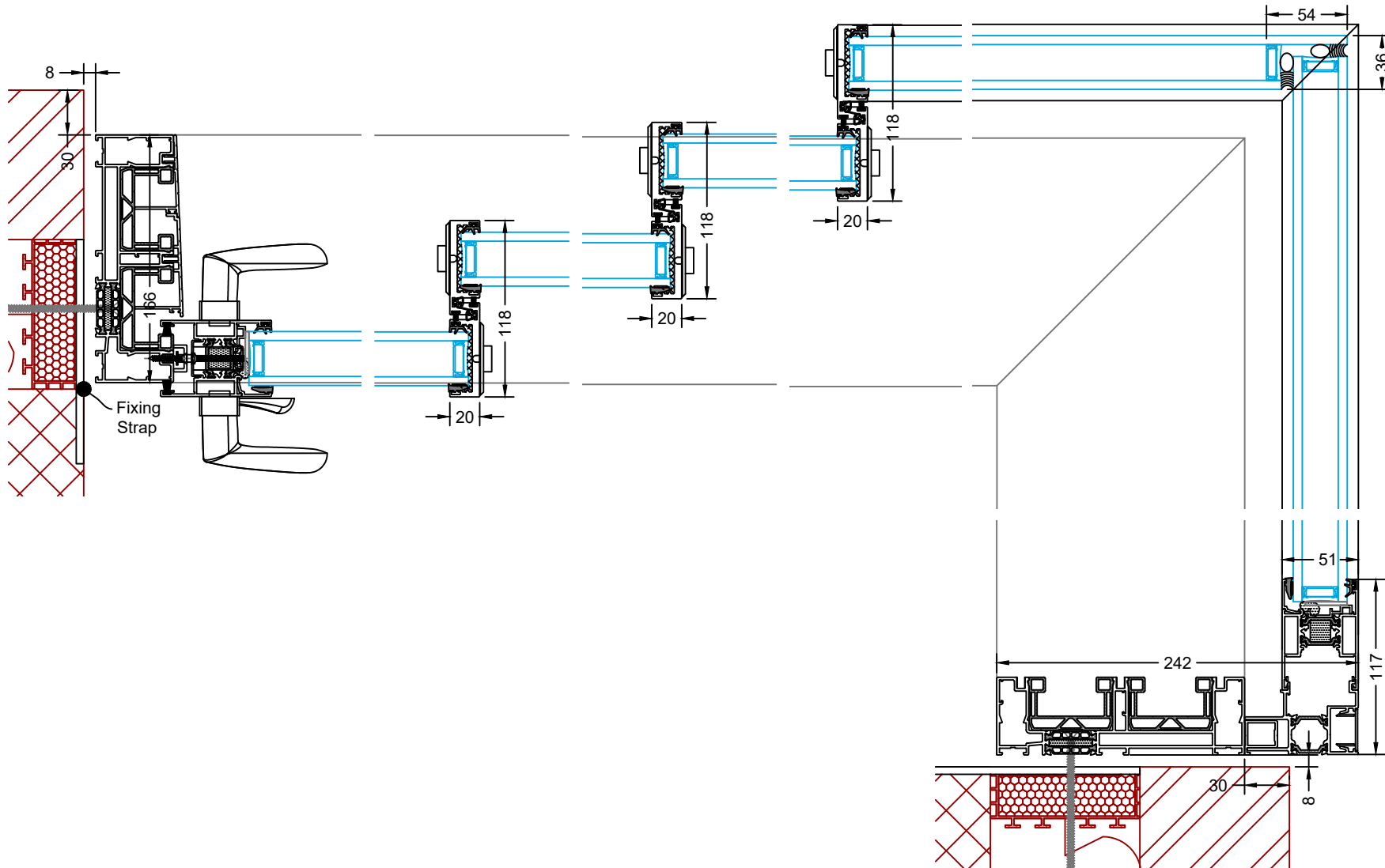


Sliding Corner Post  
(inside Track Only)





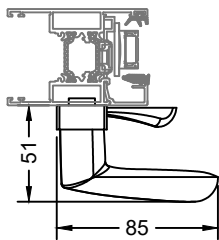
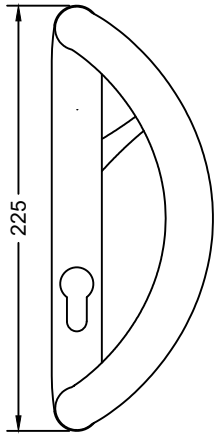
The Edge  
Glass to Glass  
Corner with Plant-on



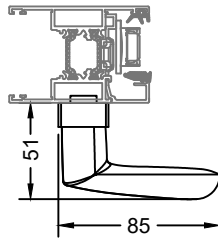
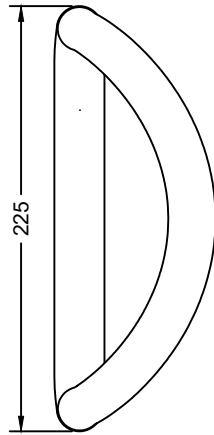
# The Edge 2.0 (Triple Track)

## HARDWARE OPTIONS

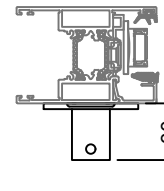
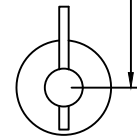
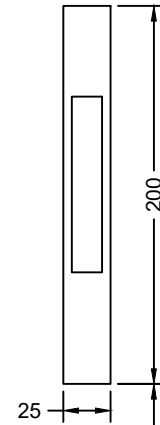
'D' Shaped Handle  
Lead Panel



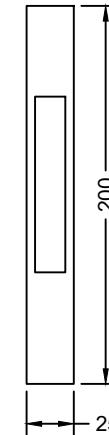
'D' Shaped Handle  
Slave Panel



Recessed Handle  
Lead Panel

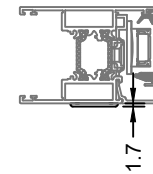


Recessed Handle  
Slave Panel

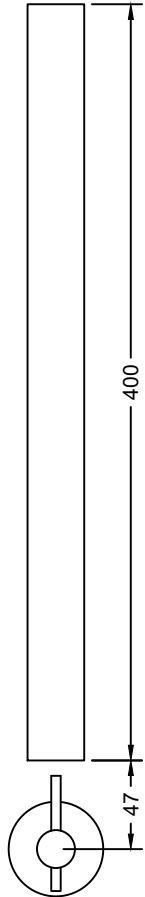


Snib Turn  
(stainless Steel Finish Only)

Escutcheon  
(stainless Steel Finish Only)



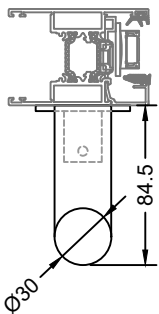
Straight Handle  
Lead Panel



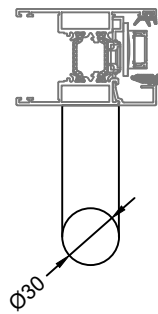
Snib Turn  
(stainless Steel Finish Only)



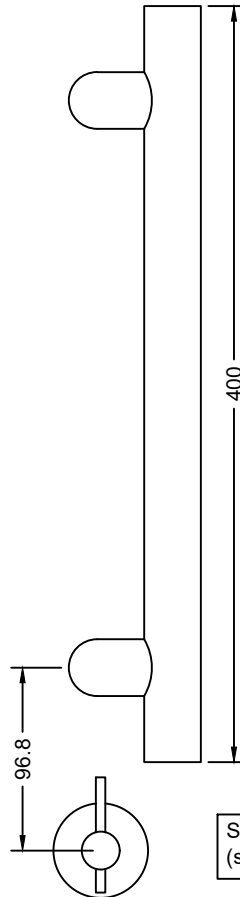
Escutcheon  
(stainless Steel Finish Only)



Straight Handle  
Slave Panel



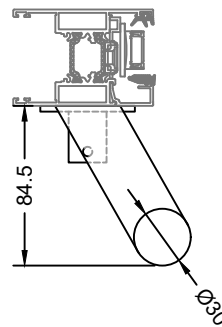
Cranked Handle  
Lead Panel



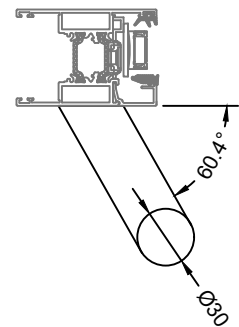
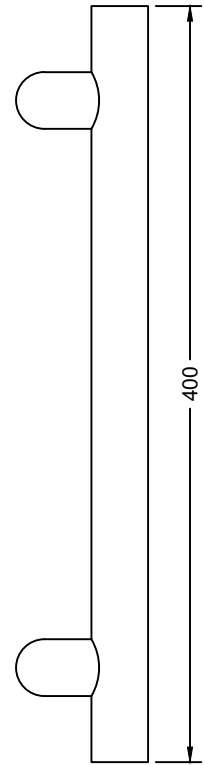
Snib Turn  
(stainless Steel Finish Only)



Escutcheon  
(stainless Steel Finish Only)



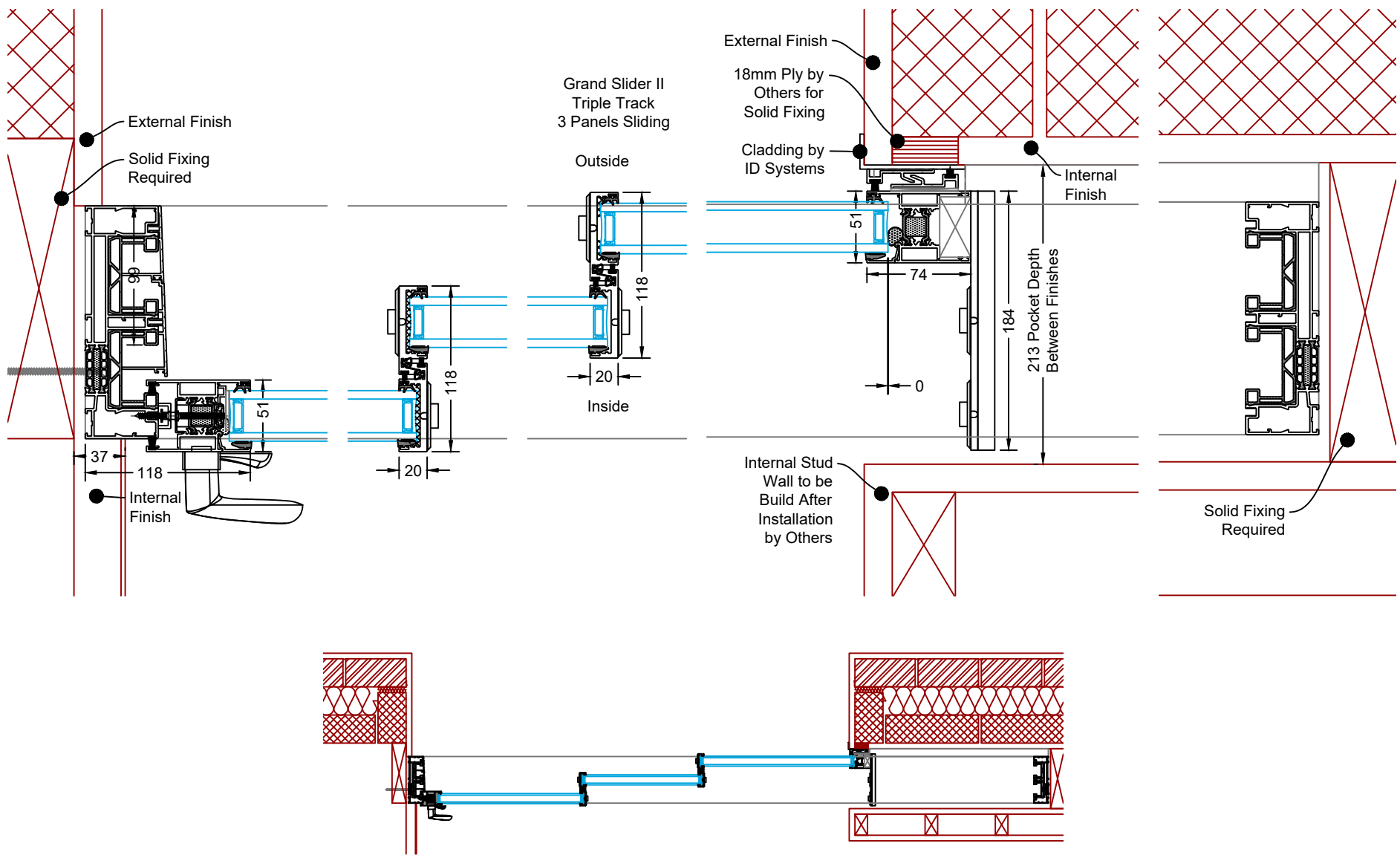
Cranked Handle  
Slave Panel



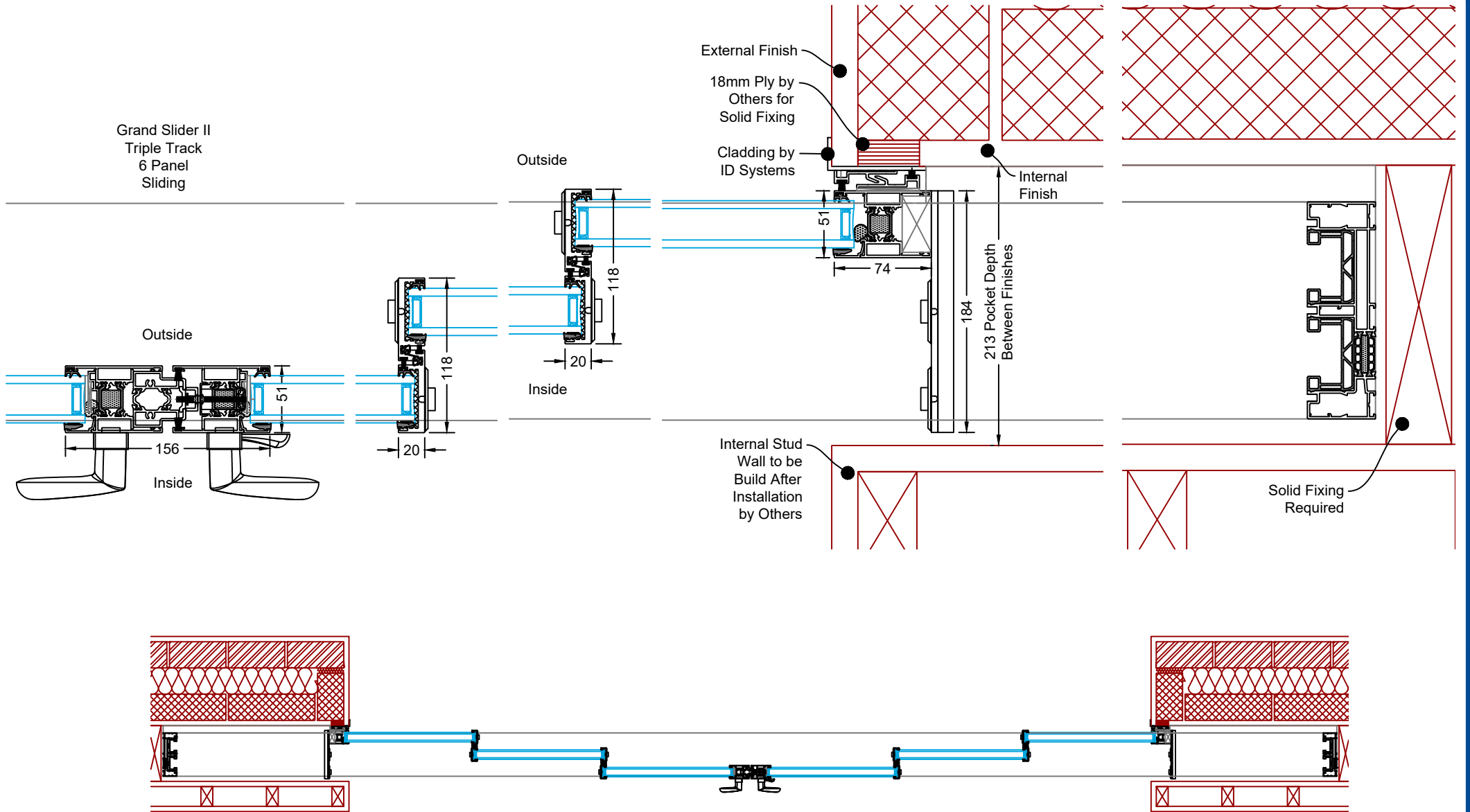


# The Edge 2.0 (Triple Track)

## POCKET SLIDER TYPICAL SECTIONS



Grand Slider II  
Triple Track  
6 Panel  
Sliding



Solid Fixing  
Required

35

124

184

Patio to  
Fall Into  
Drainage  
by Others

66

Max  
F/F/L

6

68

510

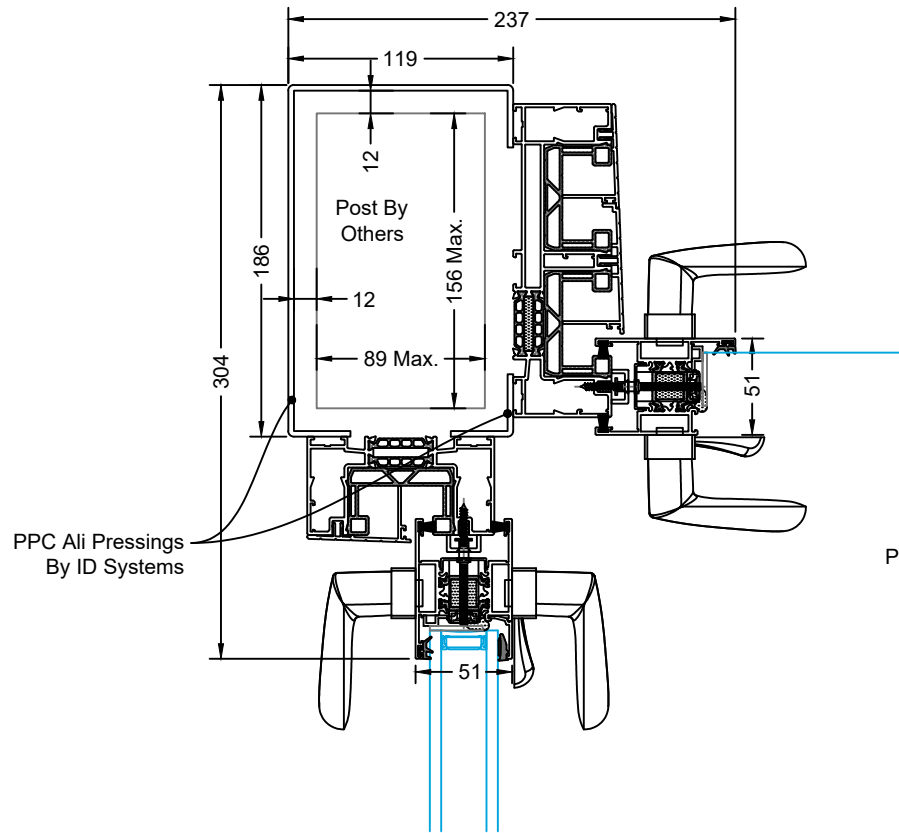
Lead by  
Others

Solid-Fill  
Cavity

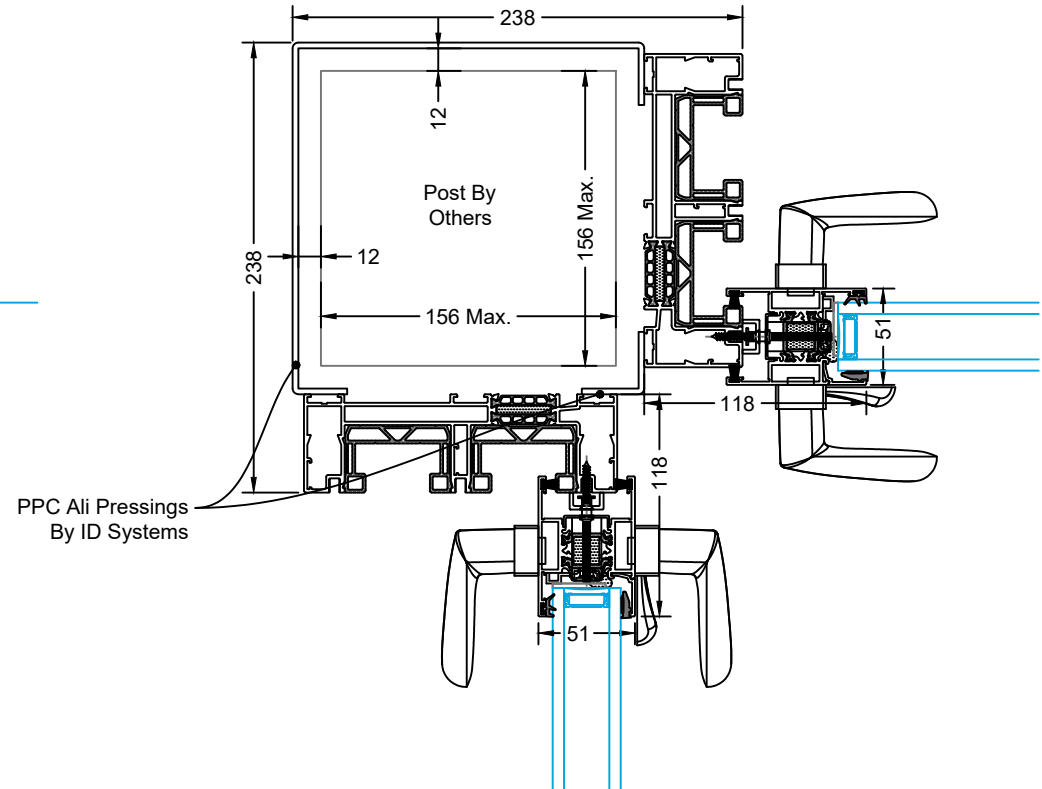
# The Edge 2.0 (Triple Track)

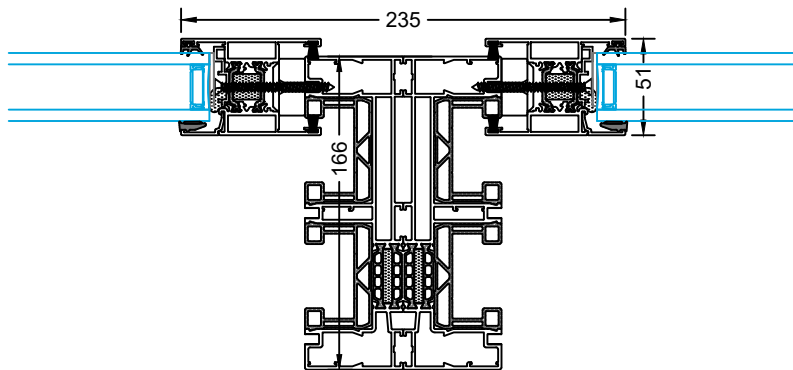
## COUPLING DETAILS

Twin Track  
And Triple Track  
Fixed Corner Post

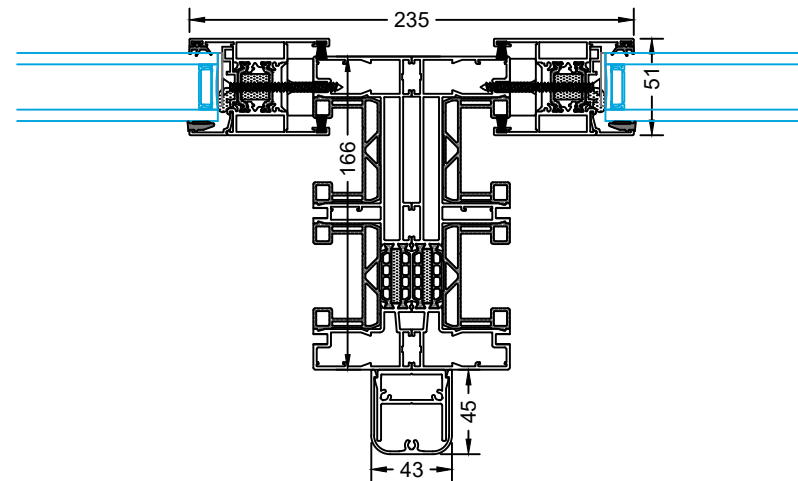


Triple Track  
Fixed Corner Post

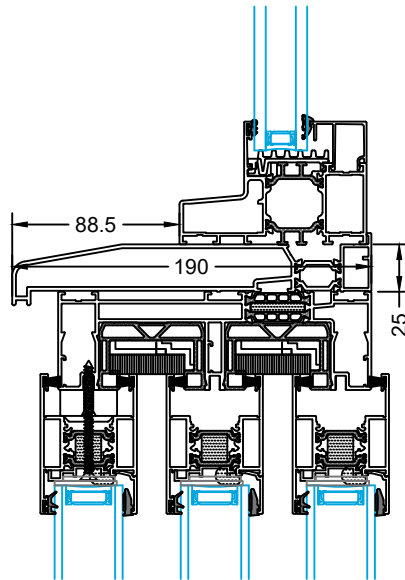




Slider/Slider



Slider/Slider  
Heavy Duty

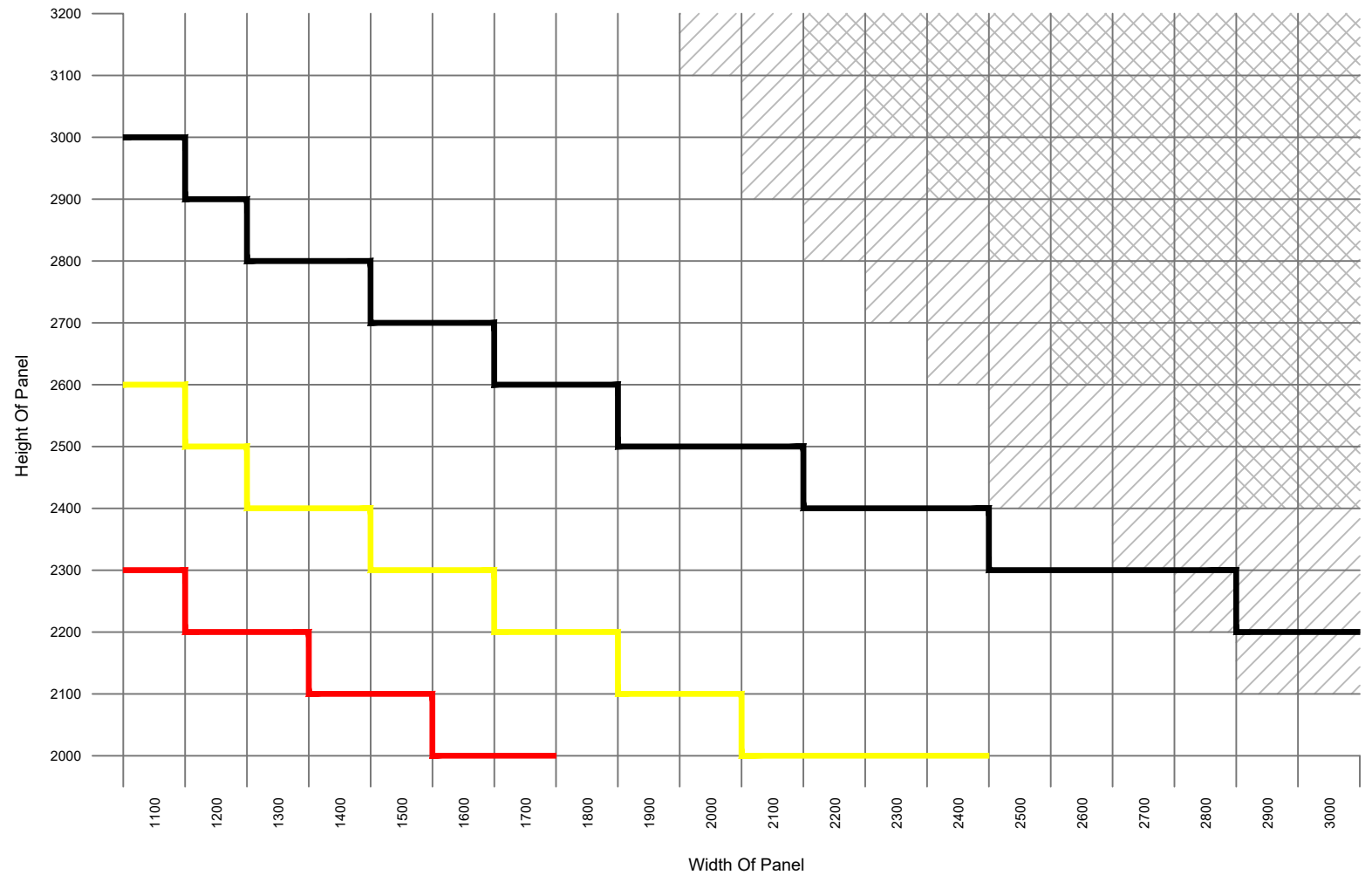
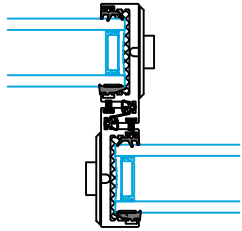


For Profile Limitations,  
See Section E

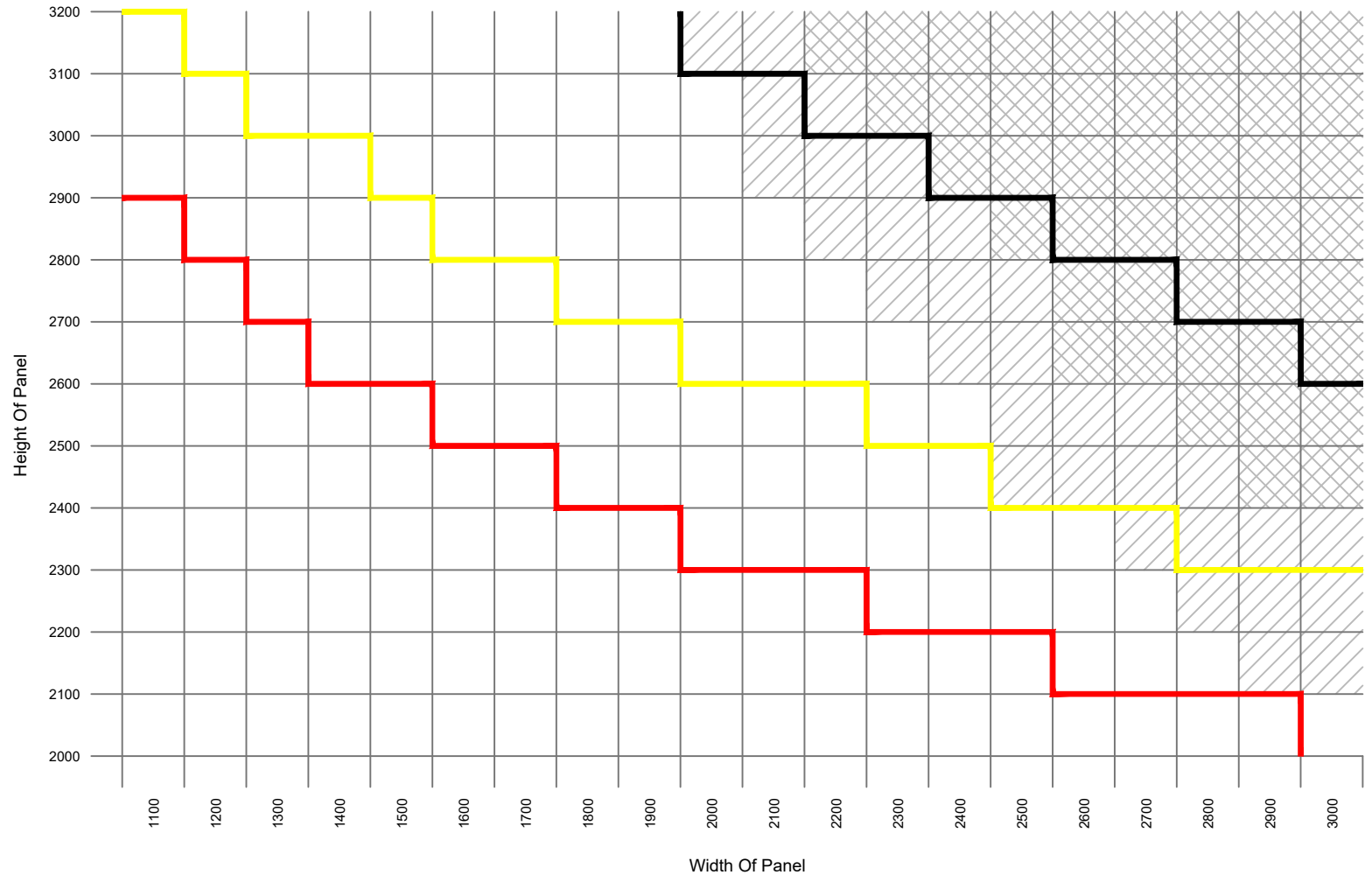
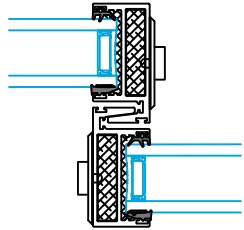


# The Edge 2.0 (Triple Track)

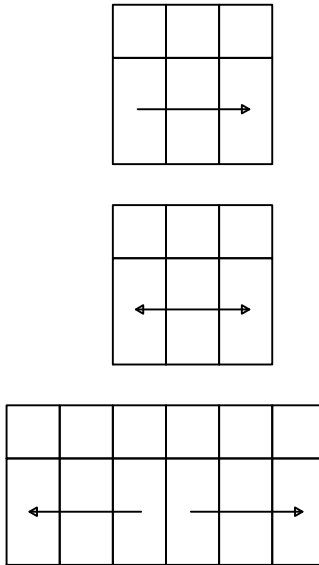
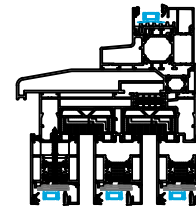
## STATICS



-  Max. Panel Size @ 750pa
-  Max. Panel Size @ 1200pa
-  Max. Panel Size @ 1700pa
-  Panel Weight 250-350kg  
Reinforced Track & No Guarantee
-  350kg+ Not Recommended  
No Guarantee

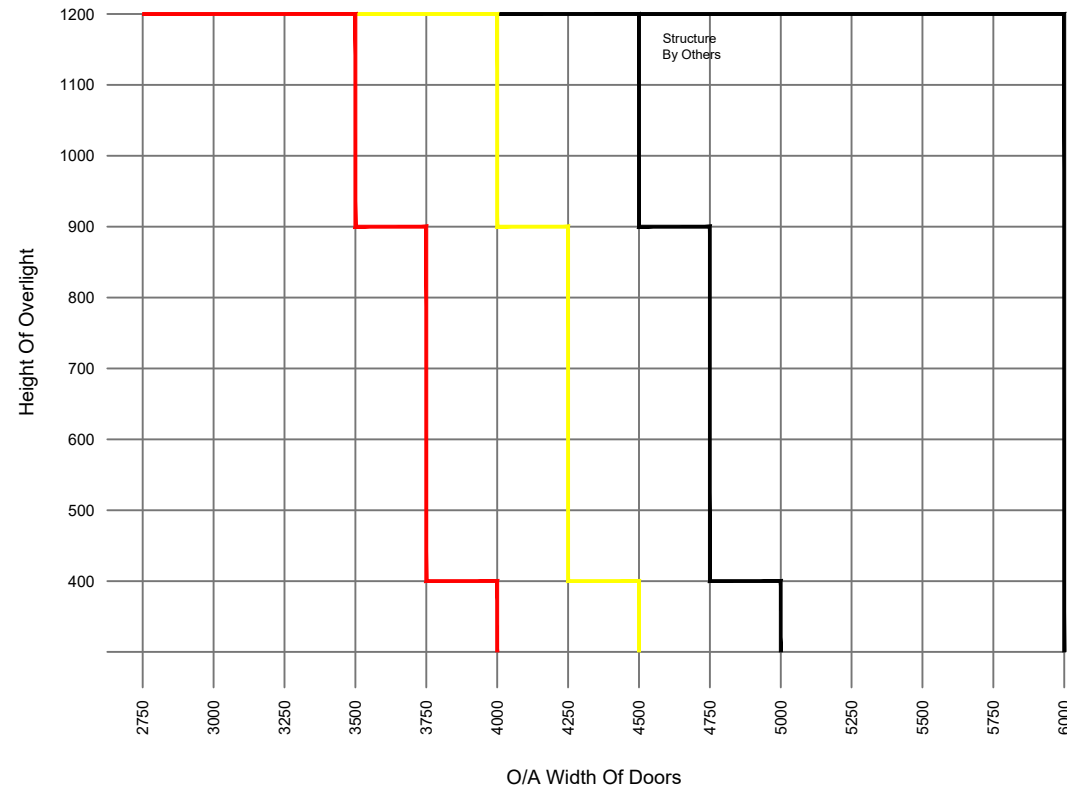


- Max. Panel Size @ 750pa
- Max. Panel Size @ 1200pa
- Max. Panel Size @ 1700pa
  
- Panel Weight 250-350kg  
Reinforced Track & No Guarantee
- 350kg+ Not Recommended  
No Guarantee



NOTE All calculations assume the following;  
 Doors at maximum of 2500mm high.  
 Glass in overlights to be maximum 6mm inner and outer panes.  
 Openings assumed to be a ground level and not requiring to meet Part K for barrier loading.

If customers design falls outside parameters shown it may still be possible but will need to be confirmed by the Design Office.



- Max. O/A Door Width @ 750pa
- Max. O/A Door Width @ 1200pa
- Max. O/A Door Width @ 1700pa

