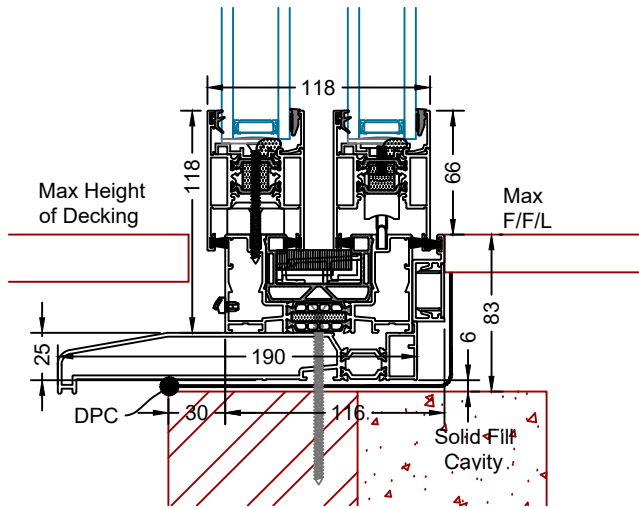


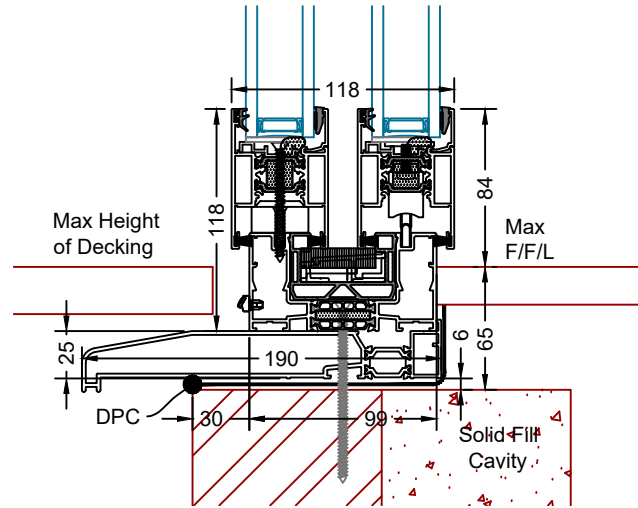
The Edge 2.0 (Twin Track)

TYPICAL SECTIONS

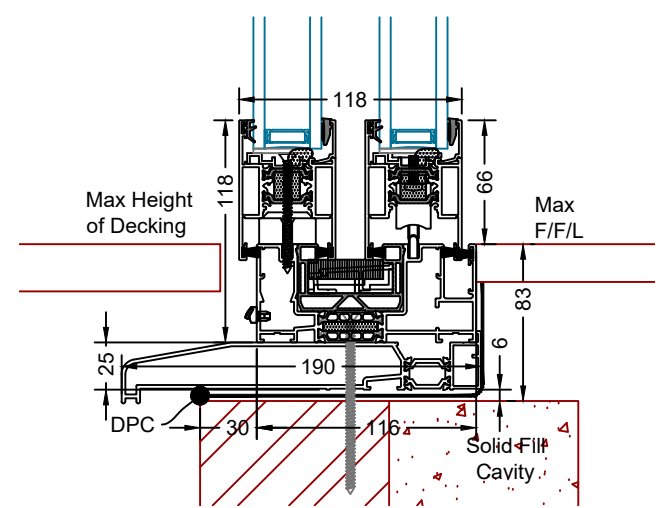
Twin Track on a Sill
With Internal
Flush Floor Detail



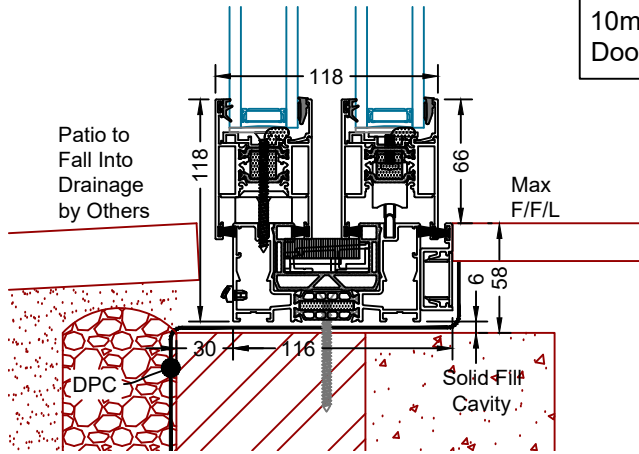
Twin Track on a Sill
With Non-Flush
Internal Floor Detail



Twin Track 190mm Sill
With Flush Internal Profile All Round

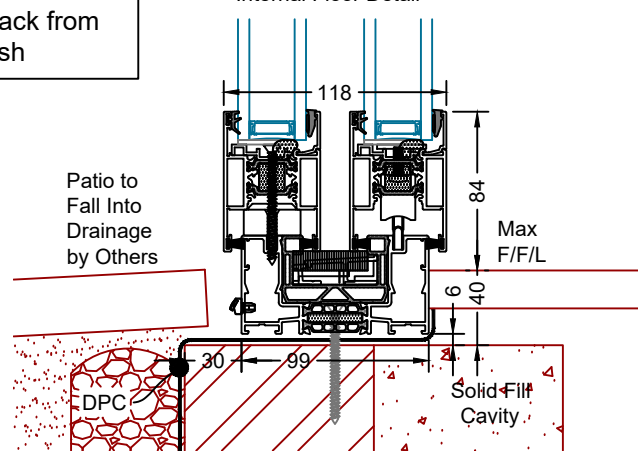


Twin Track
With Internal
Flush Floor Detail

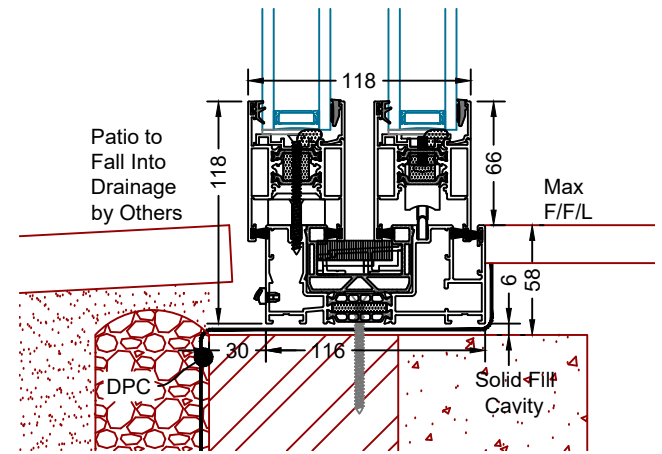


Note: All External
Floor Finishes to be
10mm Back from
Door Sash

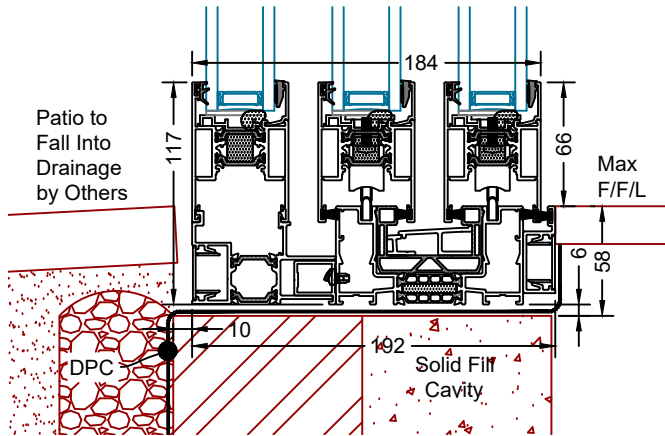
Twin Track
With Non-Flush
Internal Floor Detail



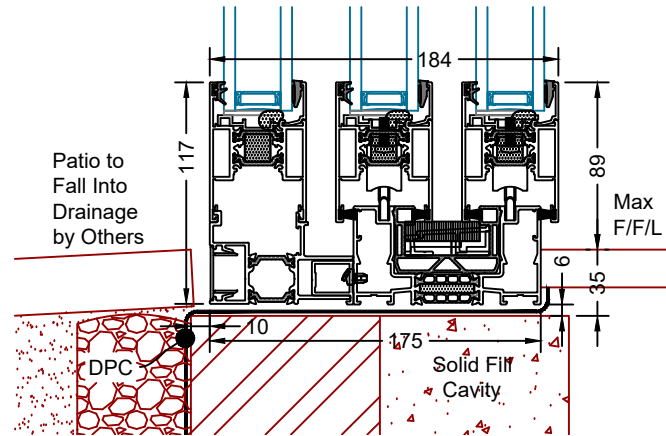
Twin Track
With Flush Internal Profile All Round



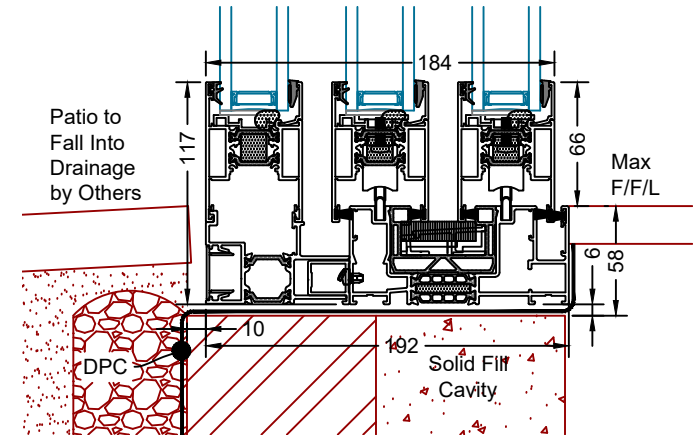
Twin Track And Plant-On Panel With Internal Flush Floor Detail



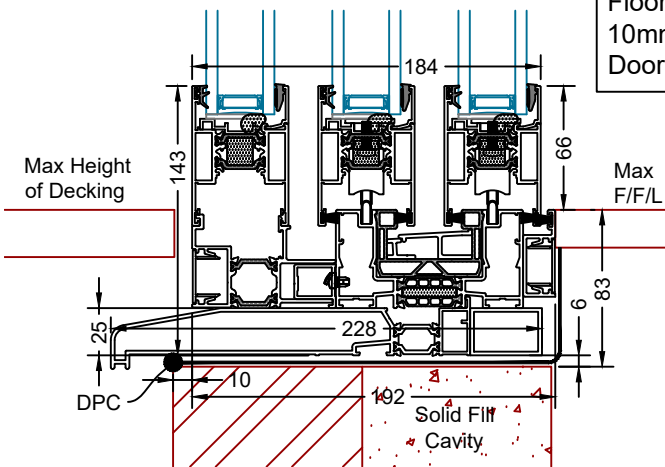
Twin Track And Plant-on Panel With Non-Flush Internal Floor Detail



Twin Track And Plant-on Panel With Flush Internal Profile All Round

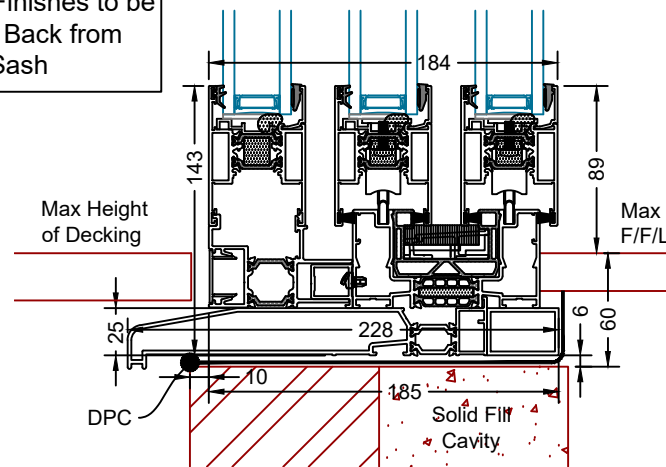


Twin Track And Plant-on Panel With Internal Flush Floor Detail

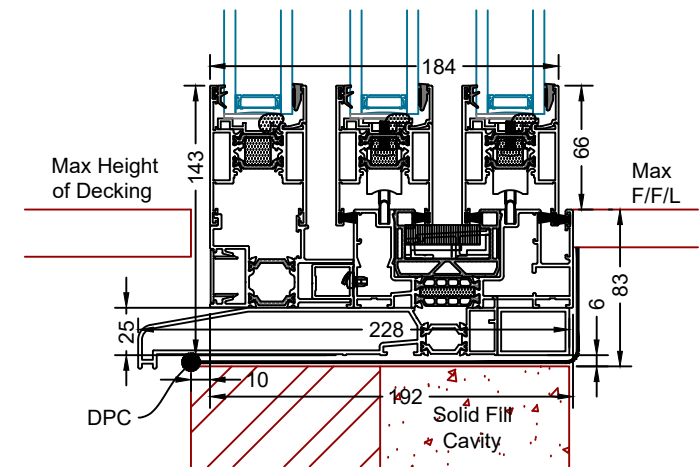


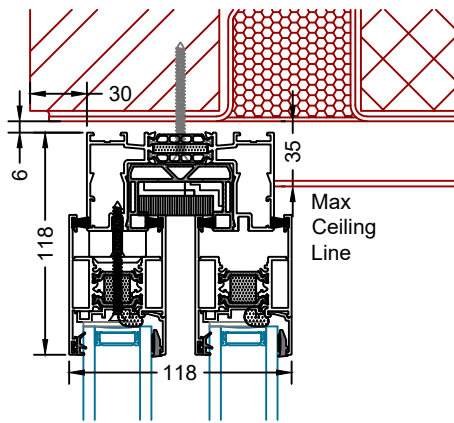
Note: All External Floor Finishes to be 10mm Back from Door Sash

Twin Track And Plant-on Panel With Non-Flush Internal Floor Detail

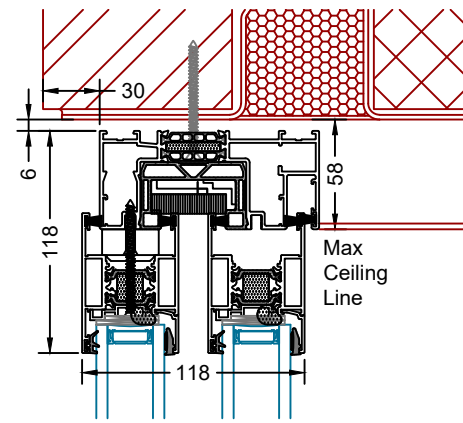


Twin Track And Plant-on Panel With Flush Internal Profile All Round

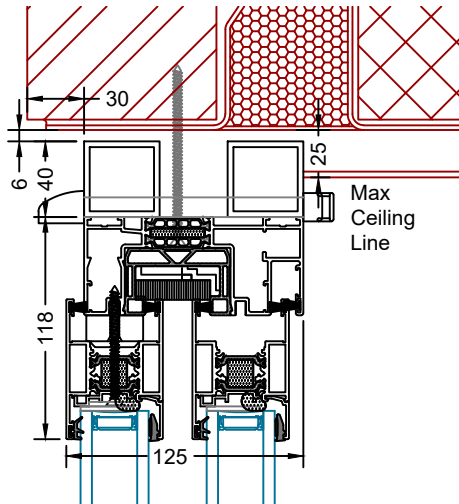




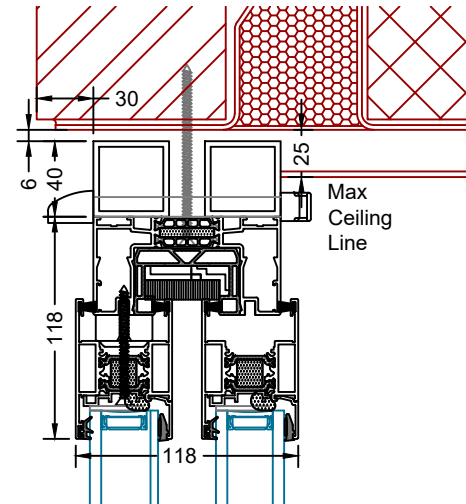
Twin Track



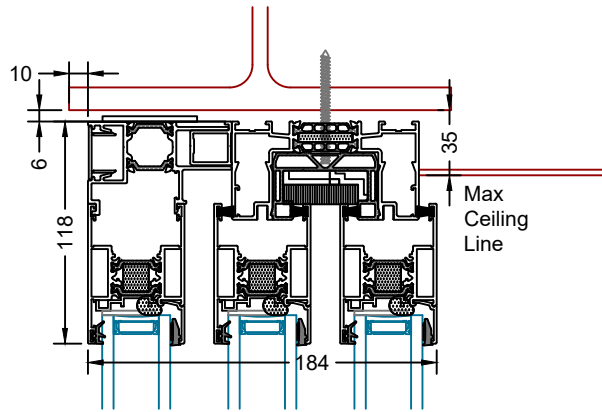
Twin Track
With Flush Internal Profile All Round



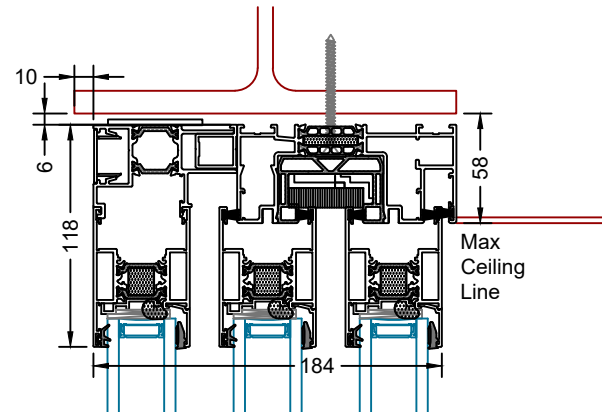
Twin Track
With Flush Internal Profile All Round
And Trickle Vent



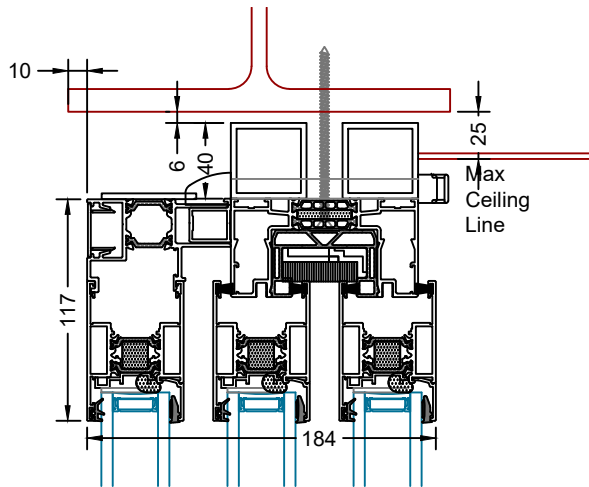
Twin Track
With Trickle Vent



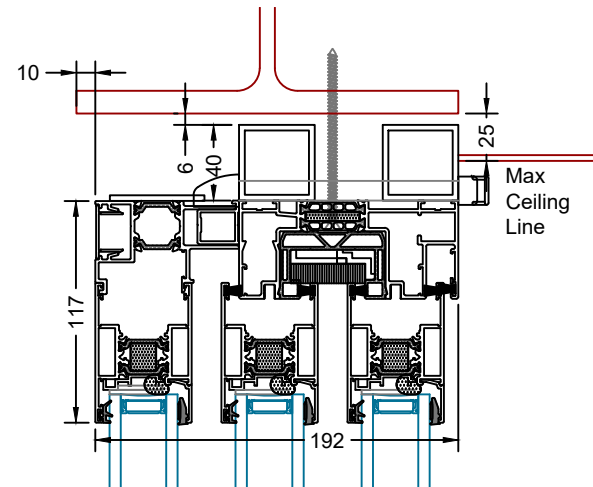
Twin Track And Plant-on Panel



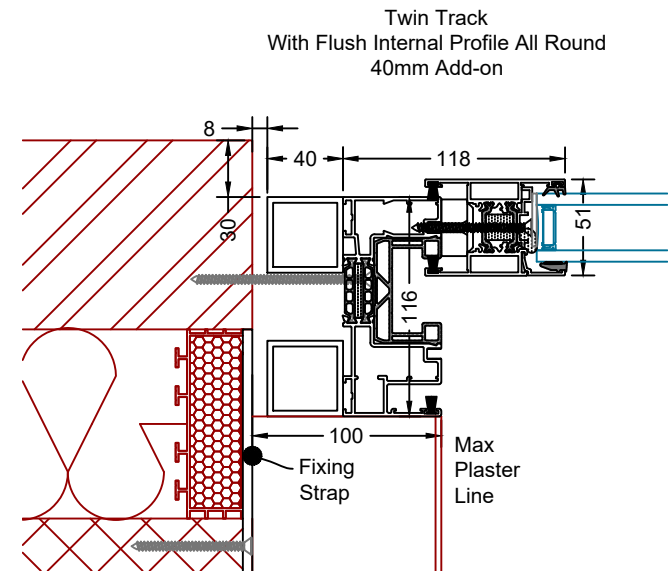
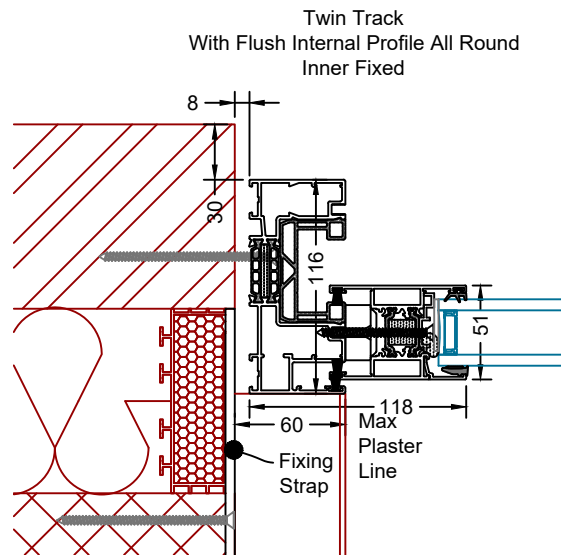
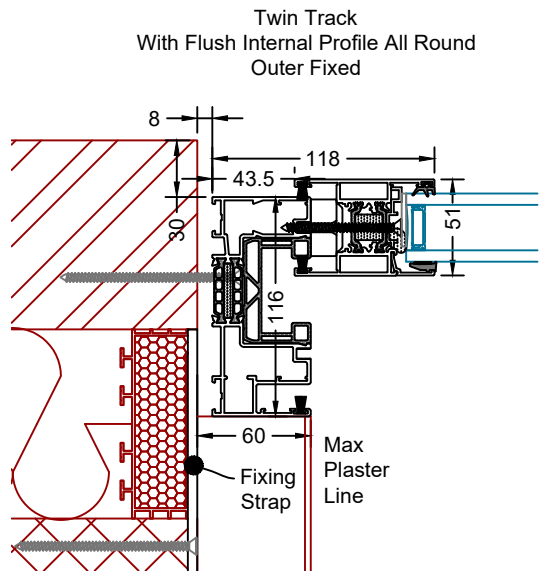
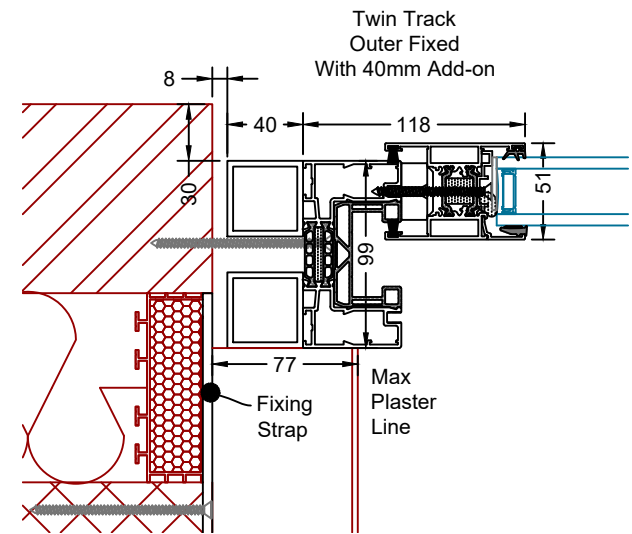
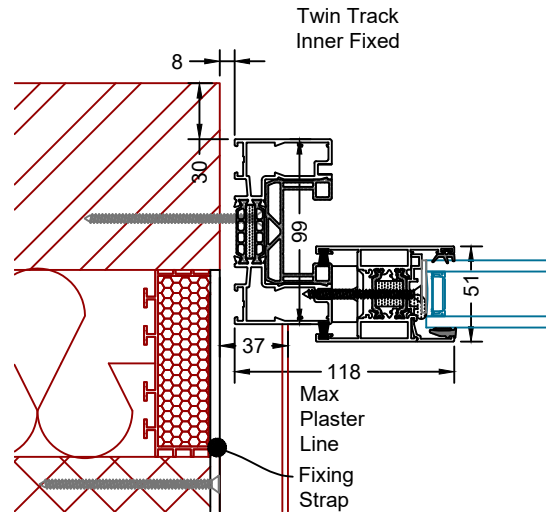
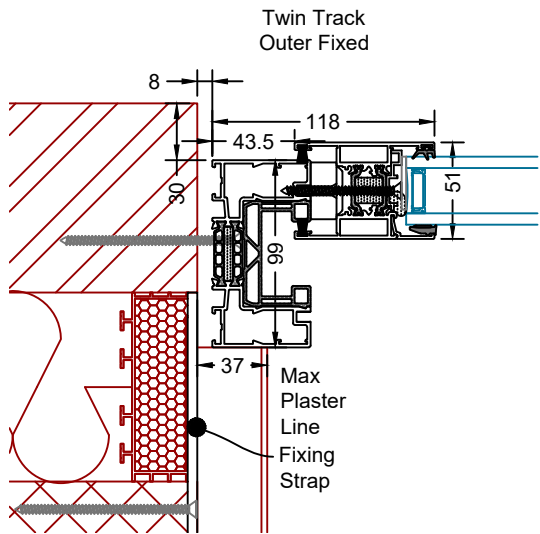
Twin Track And Plant-on Panel
With Flush Internal Profile All Round



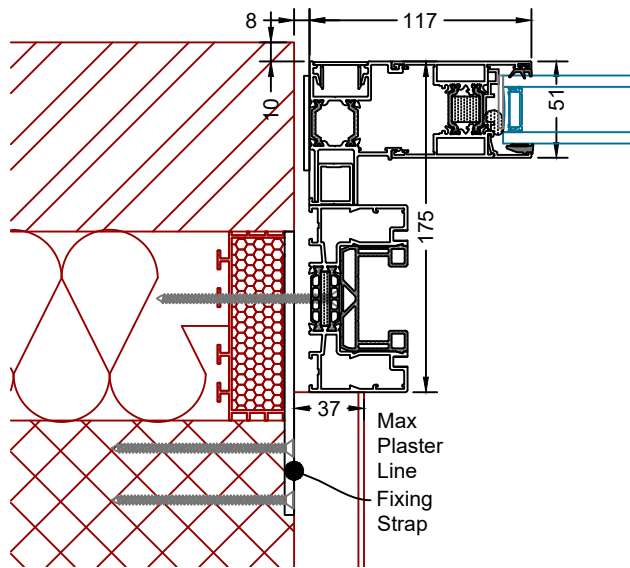
Twin Track And Plant-on Panel With
Trickle Vent



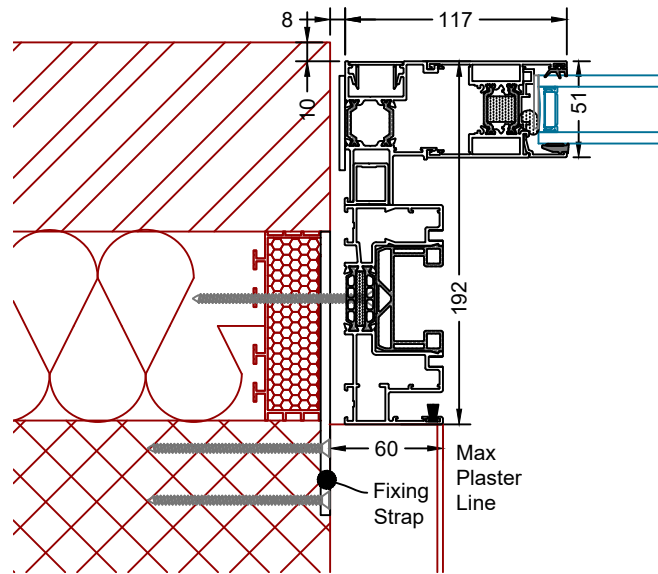
Twin Track And Plant-on Panel With Flush
Internal Profile All Round
and Trickle Vent



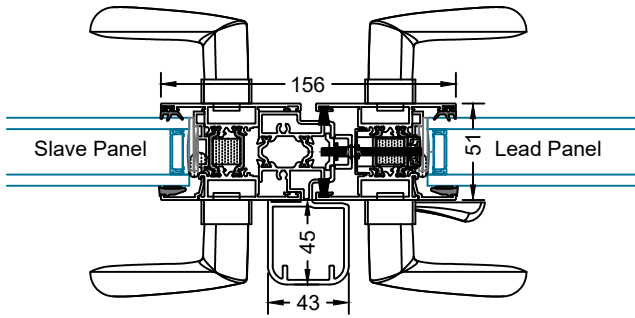
Twin Track And
Plant-on Panel



Twin Track And Plant-on Panel
With Flush Internal Finish All Round

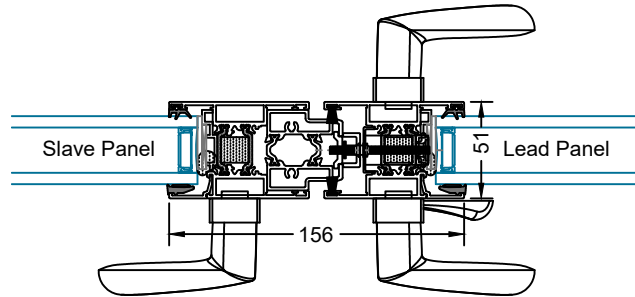


Centre Meeting
Closing Rebate
Reinforcement Profile
('D' Shaped Handle Only)

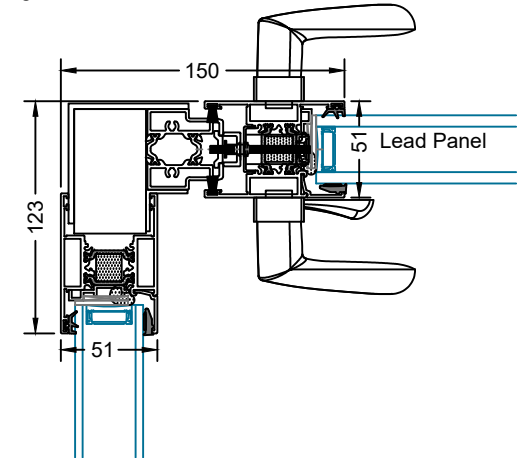


May Be Required In
Exposed Locations

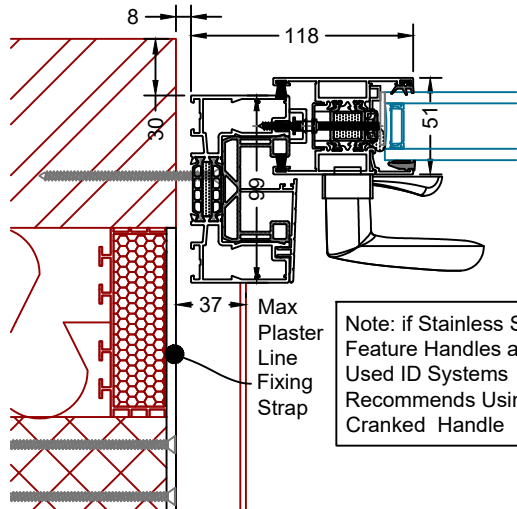
Centre Meeting
Closing Rebate



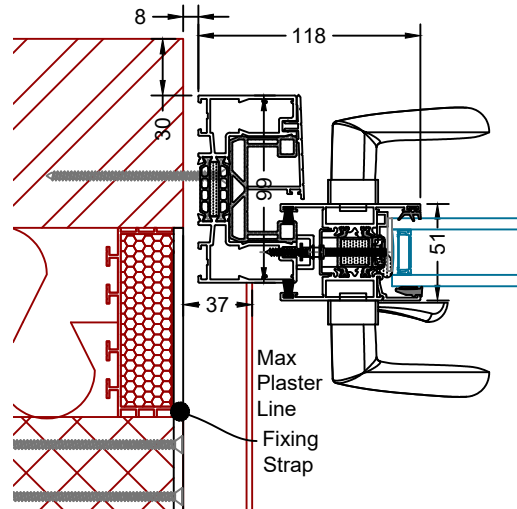
Centre Meeting
Closing Rebate 90°



Twin Track
Outer Sliding

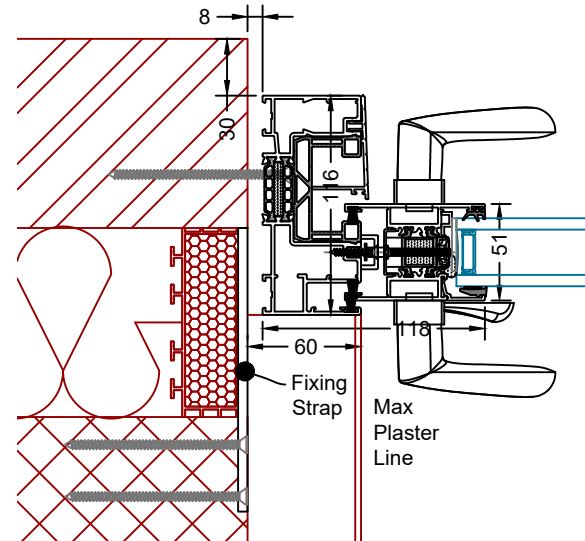


Twin Track
Inner Sliding

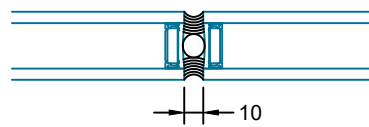
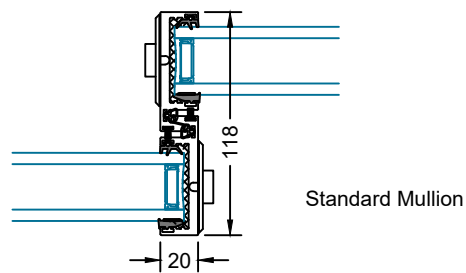
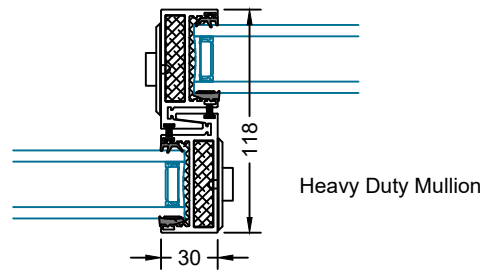


Note: if Stainless Steel
Feature Handles are
Used ID Systems
Recommends Using The
Cranked Handle

Twin Track
With Flush Internal Profile All Round
Inner Sliding

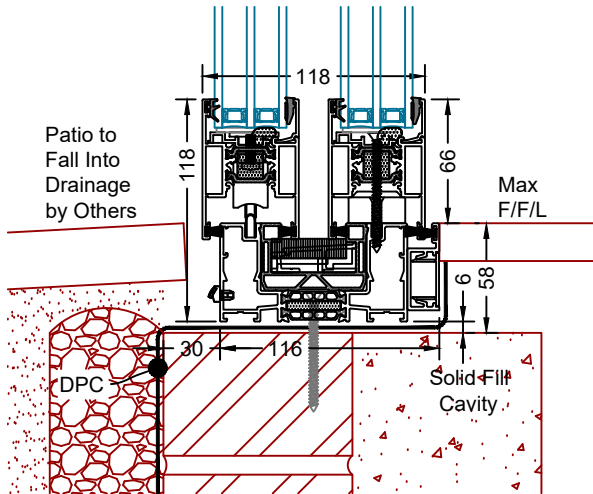


For Profile Limitations,
See Section E

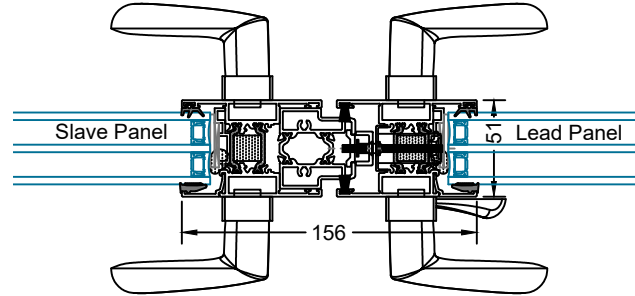


In-Line Glass to Glass Joint

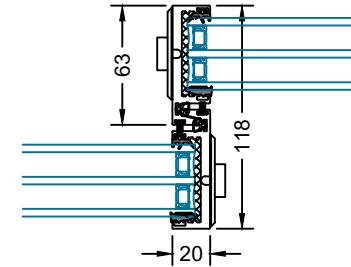
Twin Track
With Internal
Flush Floor Detail



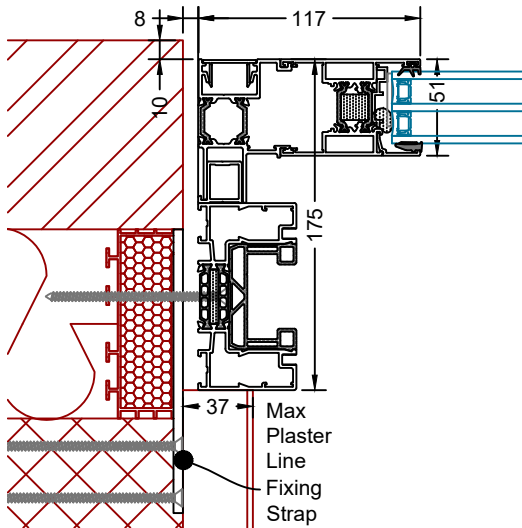
Twin Track
Centre Meeting
Closing Rebate



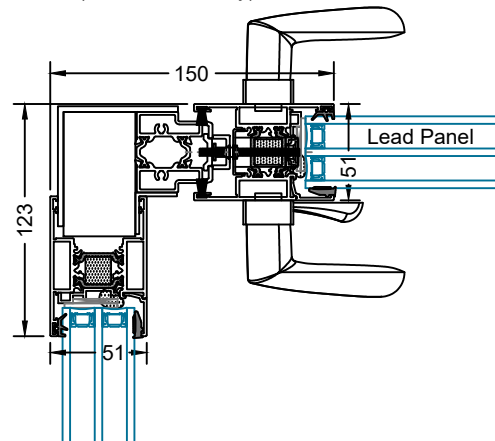
Standard Mullion
Triple Glazed



Twin Track with
Plant-on Panel

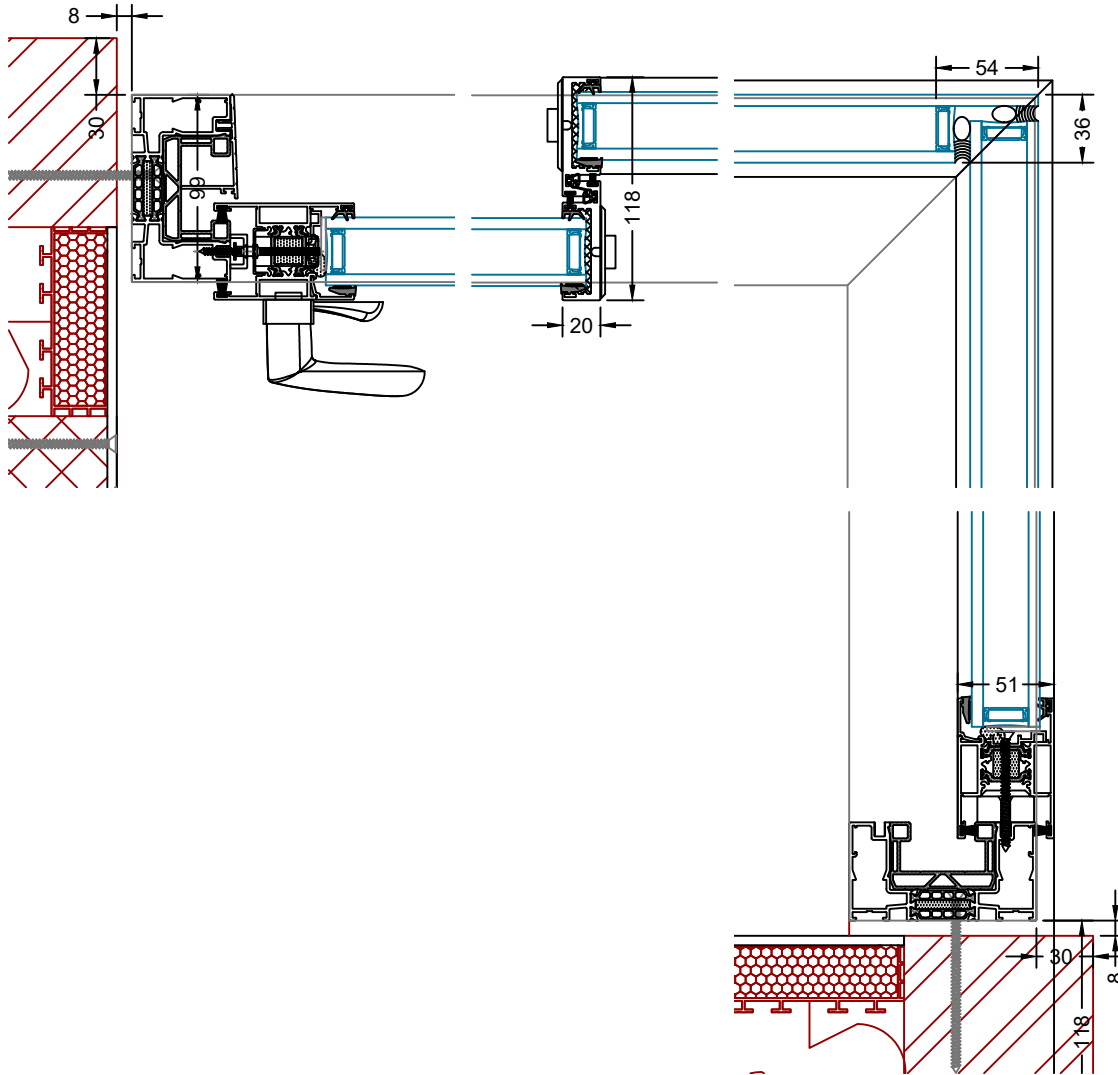


Twin Track
Sliding Corner Post
(inside Track Only)



Note: All Previous
Details are Available
in 38mm Triple Glazed

The Edge
Glass to Glass
Corner



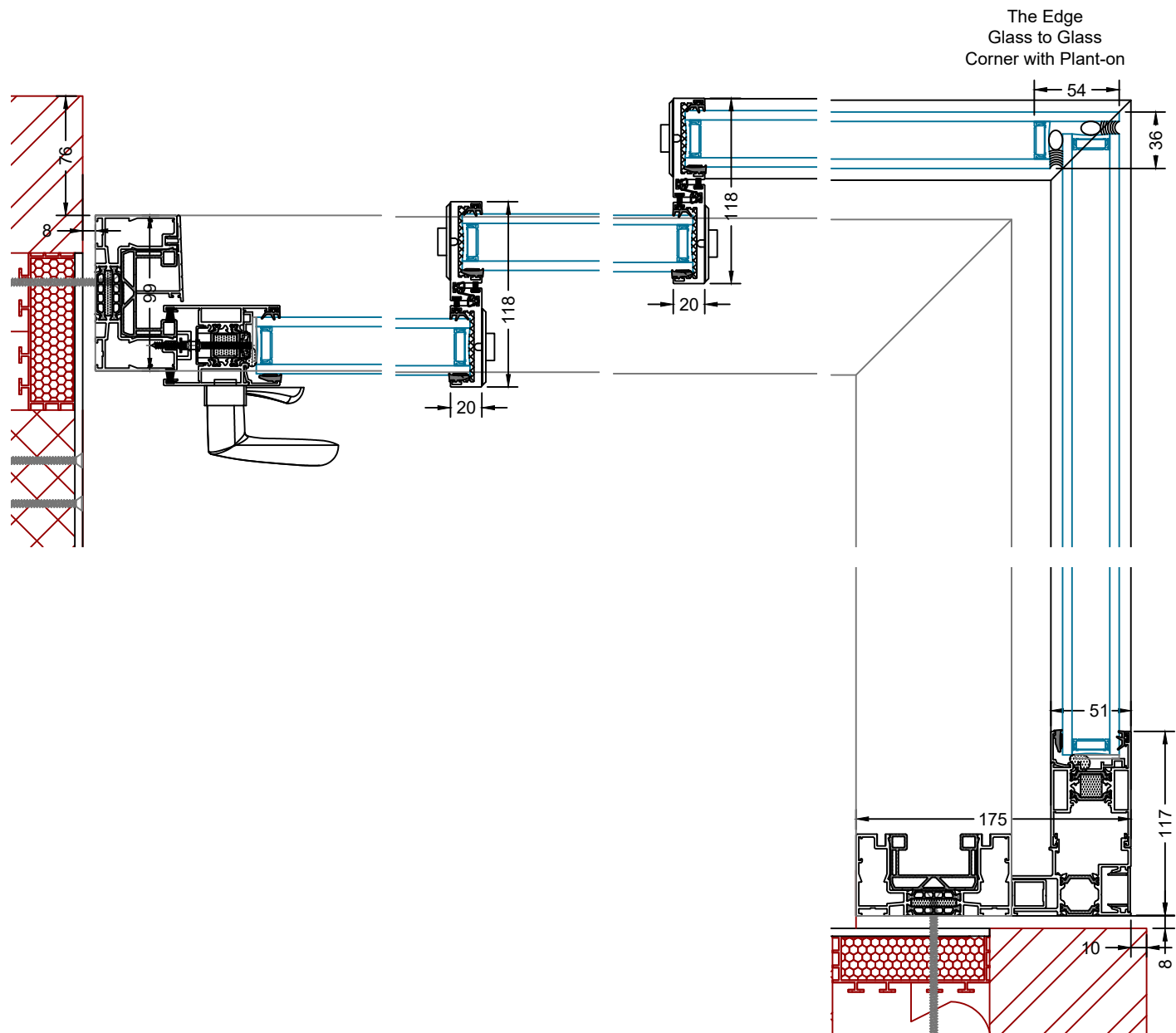
Description: The Edge 2.0 Twin Track Fixed Frameless Corner Detail

System: The Edge 2.0

Rev.

Page: A11

B

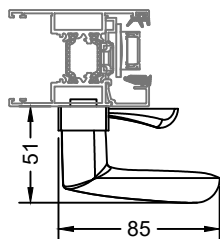
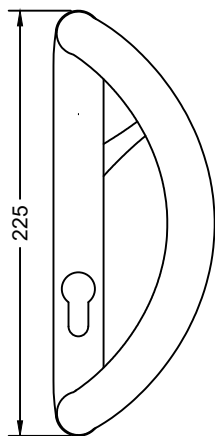


The Edge
Glass to Glass
Corner with Plant-on

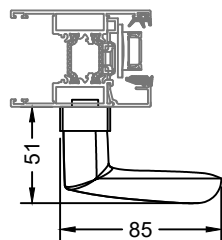
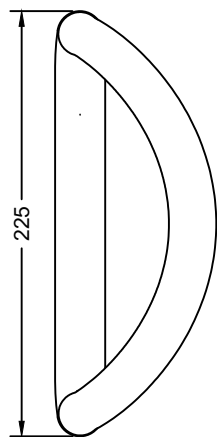
The Edge 2.0 (Twin Track)

HARDWARE OPTIONS

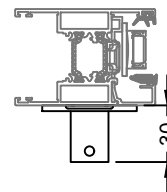
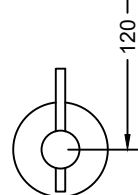
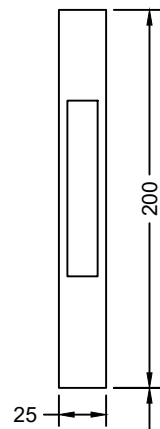
'D' Shaped Handle
Lead Panel



'D' Shaped Handle
Slave Panel



Recessed Handle
Lead Panel

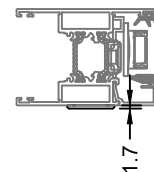


Recessed Handle
Slave Panel

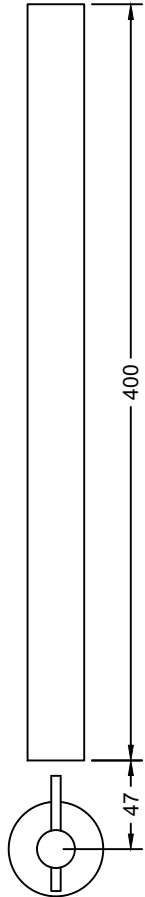


Snib Turn
(stainless Steel Finish Only)

Escutcheon
(stainless Steel Finish Only)



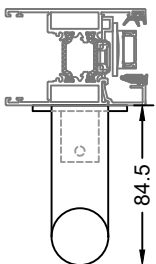
Straight Handle
Lead Panel



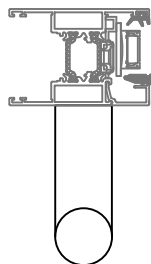
Snib Turn
(stainless Steel Finish Only)



Escutcheon
(stainless Steel Finish Only)



Straight Handle
Slave Panel



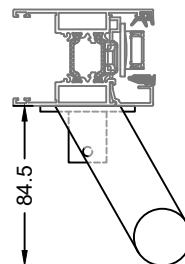
Cranked Handle
Lead Panel



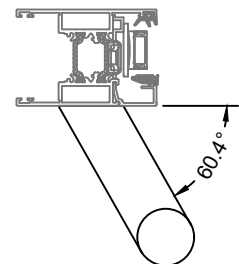
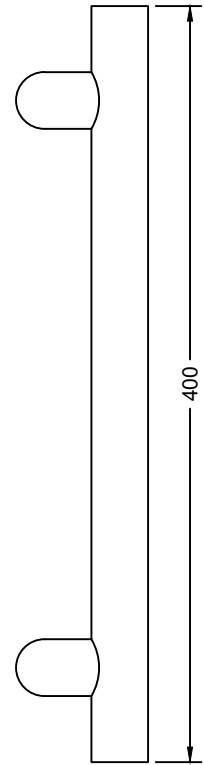
Snib Turn
(stainless Steel Finish Only)



Escutcheon
(stainless Steel Finish Only)

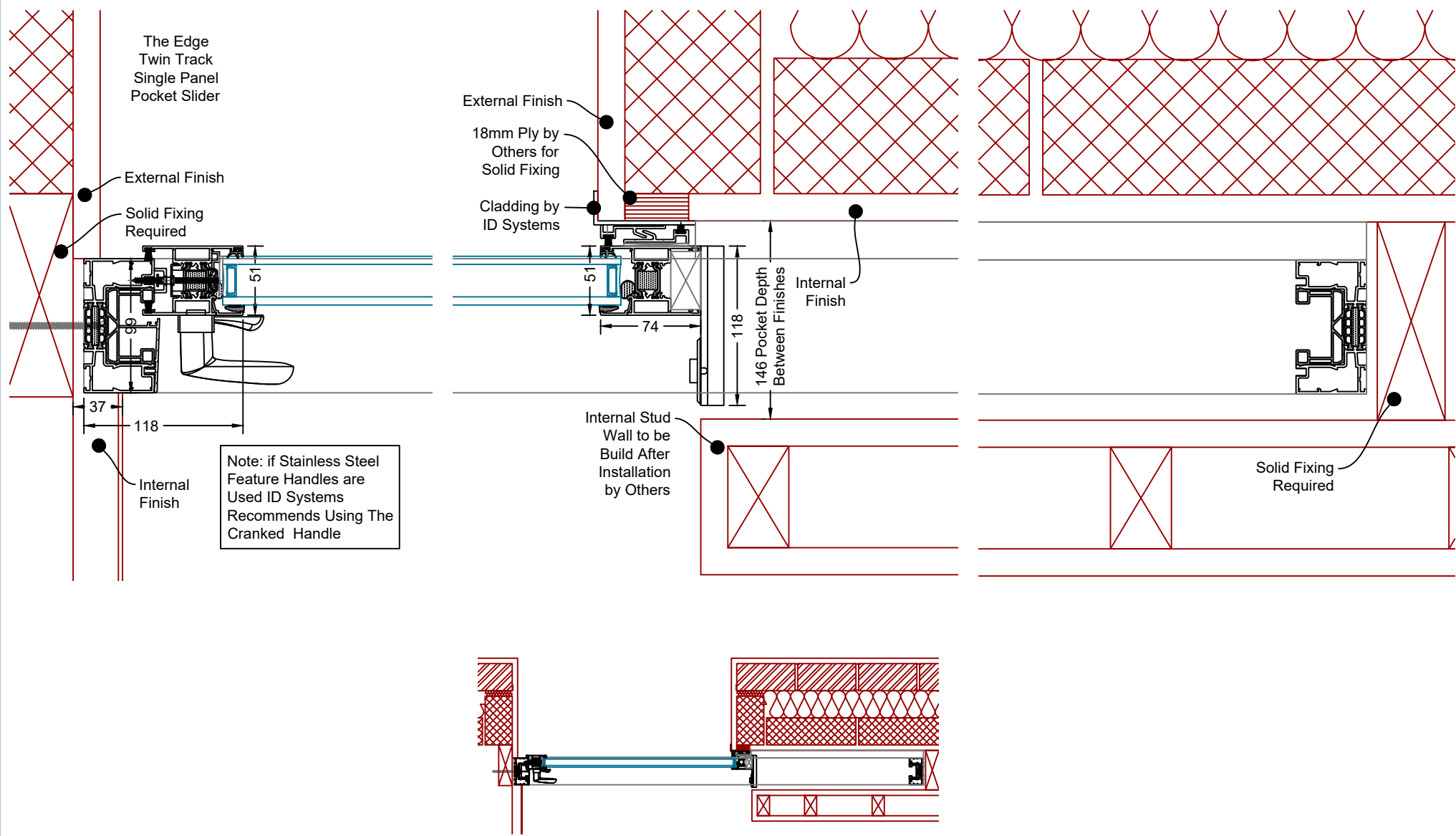


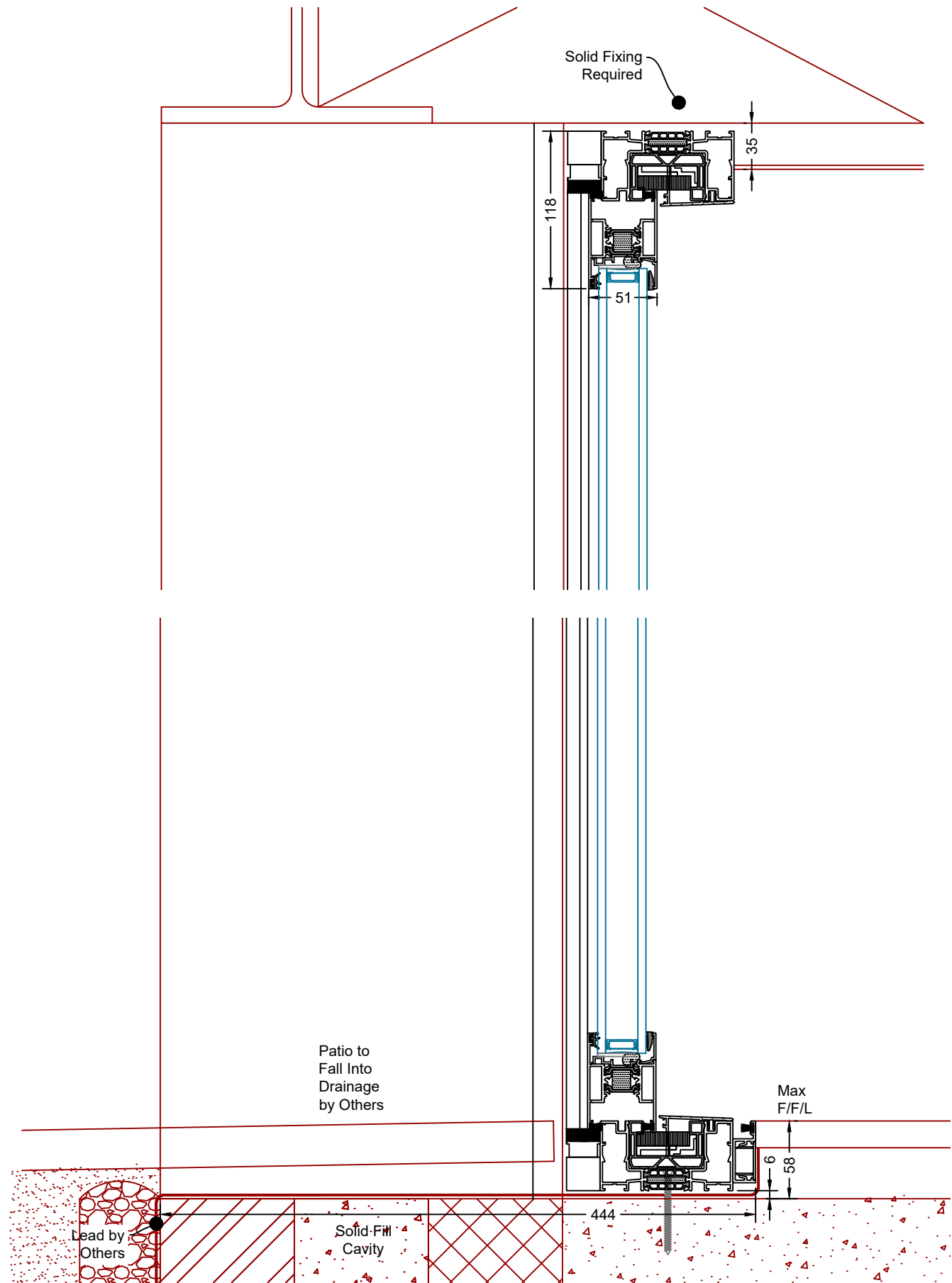
Cranked Handle
Slave Panel

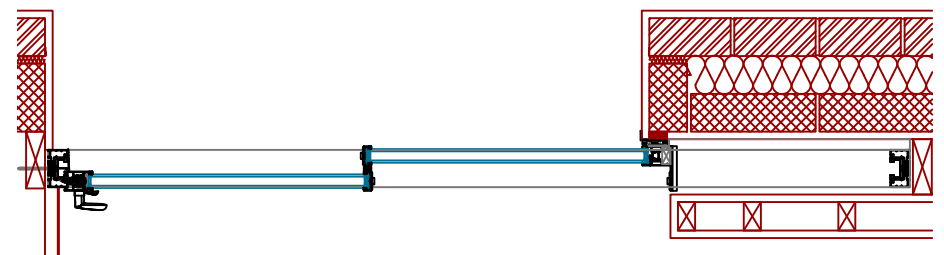
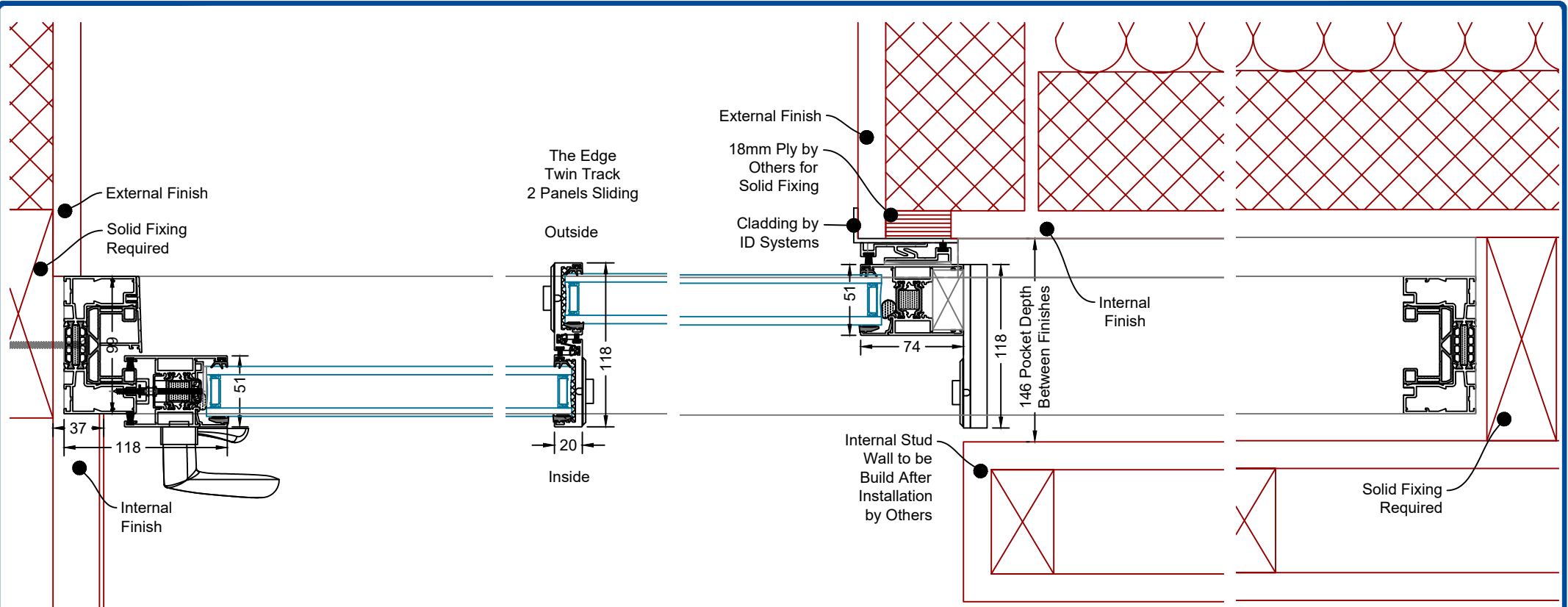


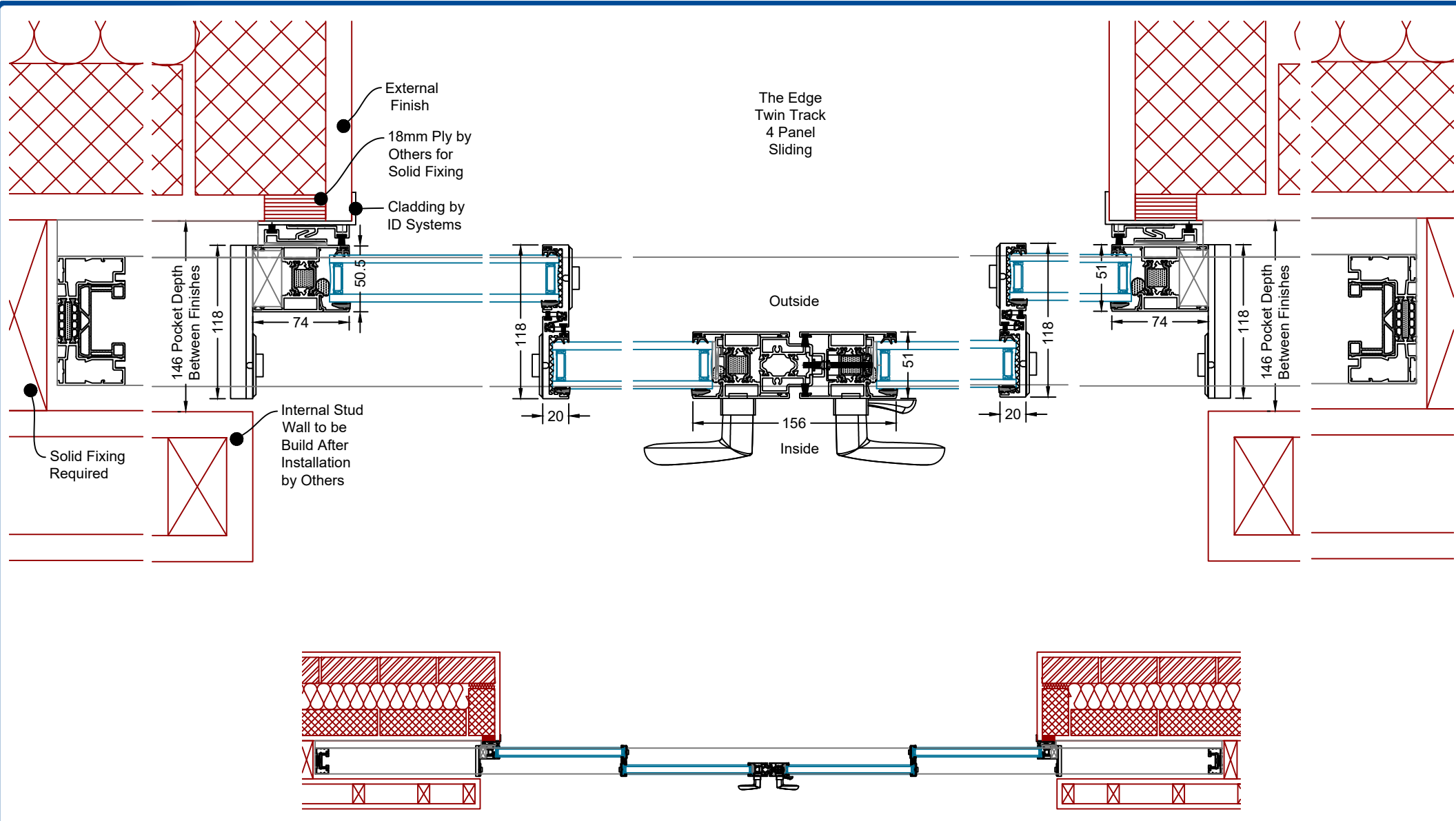
The Edge 2.0 (Twin Track)

POCKET SLIDER TYPICAL SECTIONS

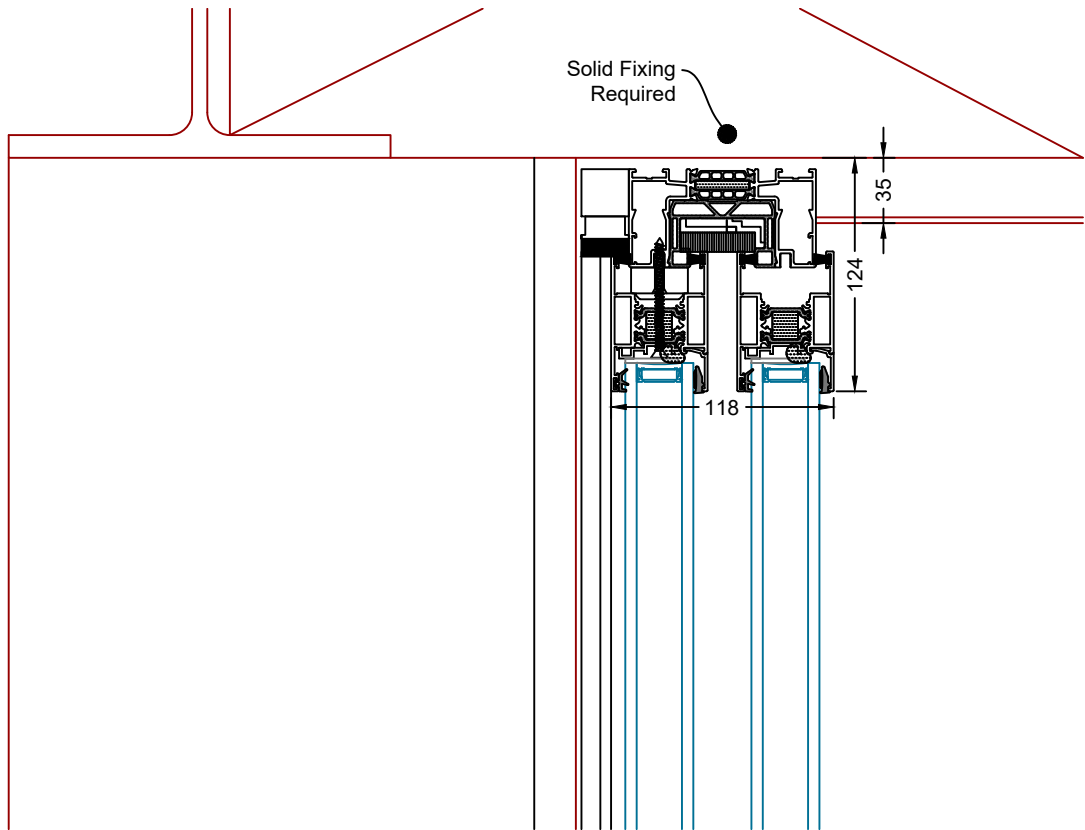




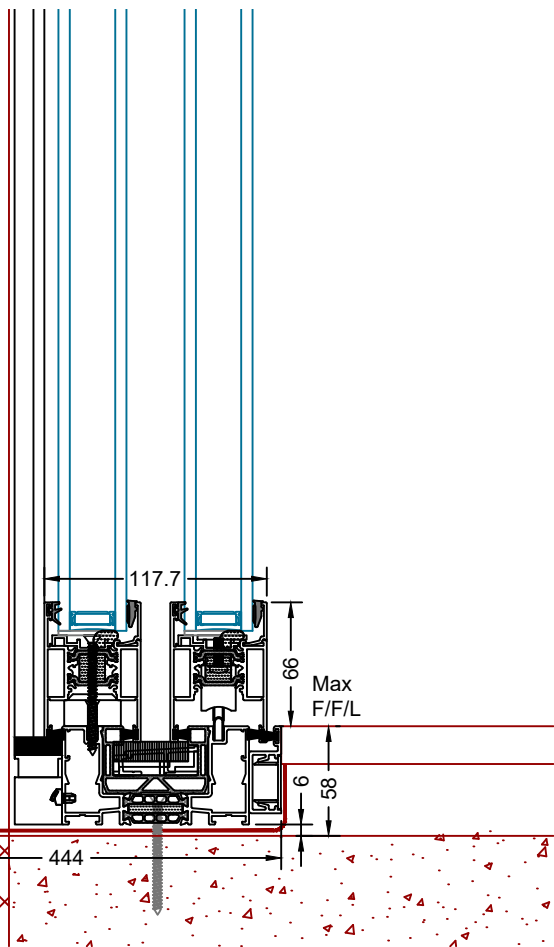




Solid Fixing
Required



Patio to
Fall Into
Drainage
by Others



Lead by
Others

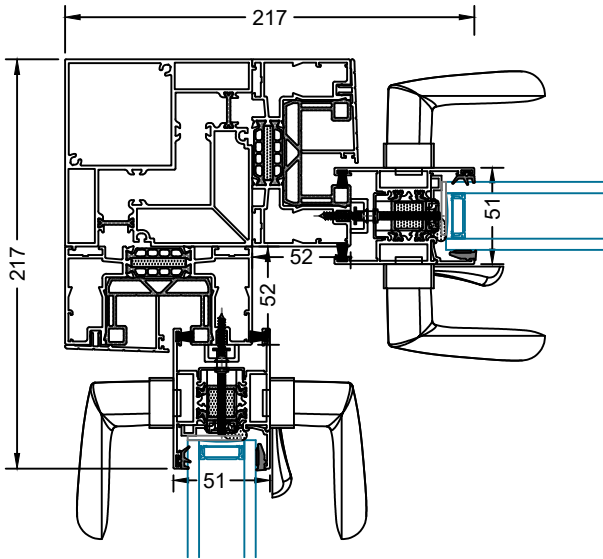
Solid-Fill
Cavity



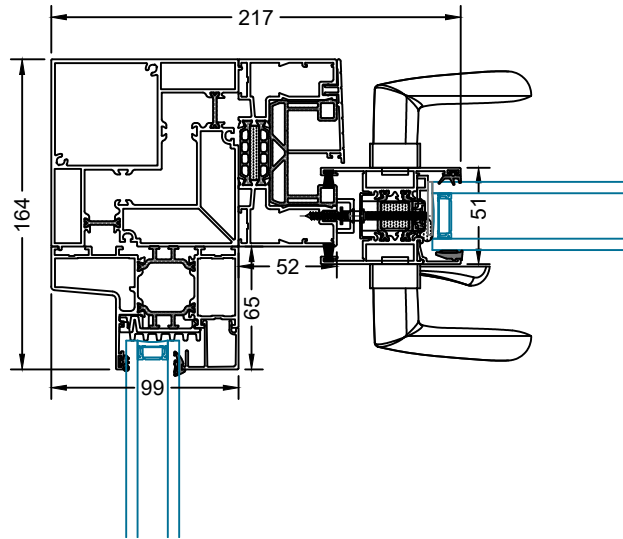
The Edge 2.0 (Twin Track)

COUPLING DETAILS

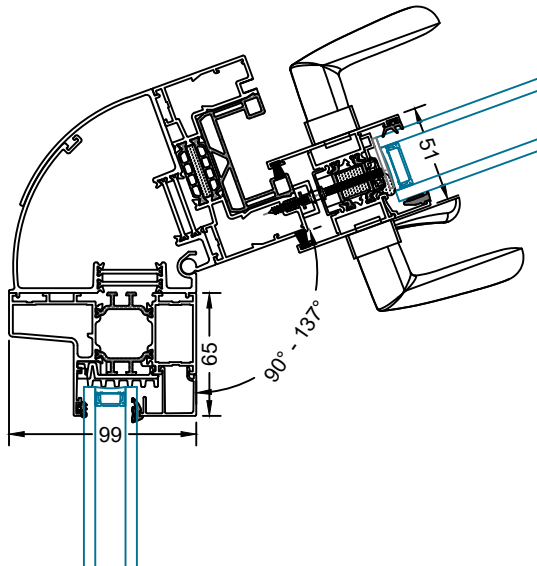
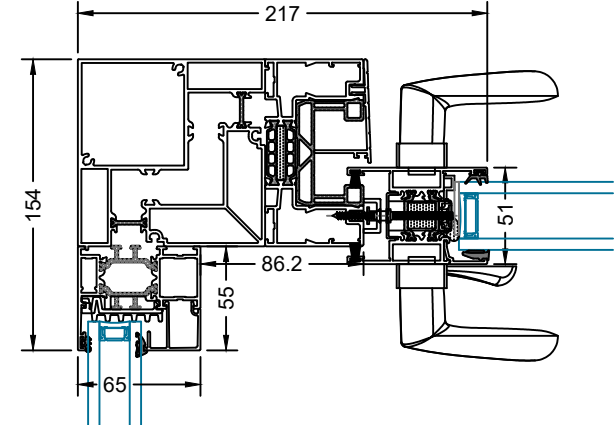
Twin Track
Fixed Corner Post



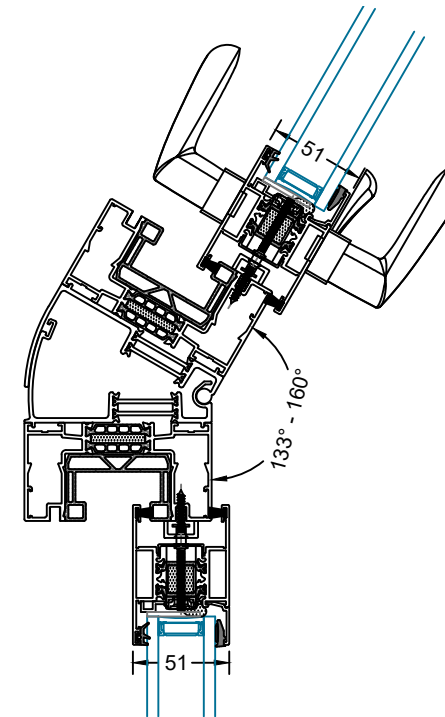
Twin Track
and IDS99
Fixed Corner Post

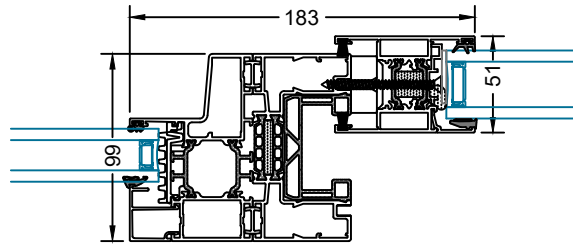


Twin Track
And IDS65
Fixed Corner Post

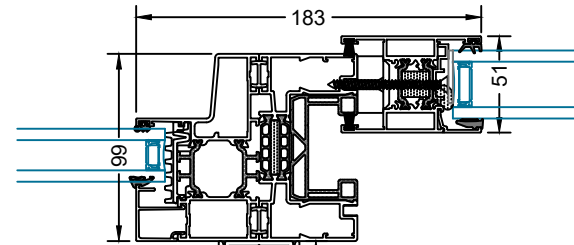


Note: IDS Corner Posts Are NOT Designed to Offer Support To The Building Structure

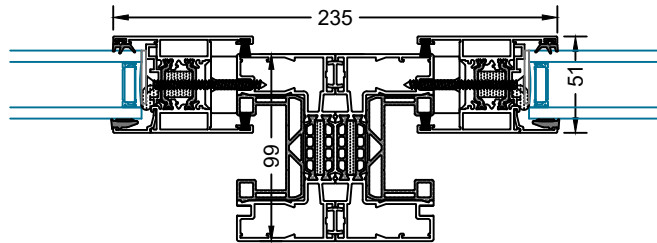




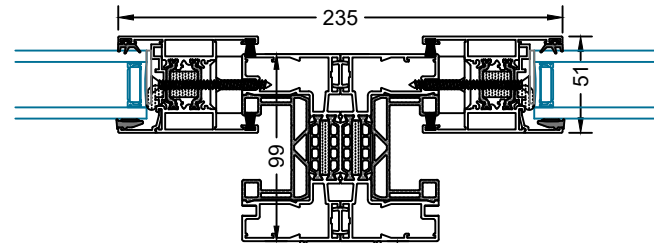
Fixed Frame/Slider
Standard



Fixed Frame/Slider
Heavy Duty

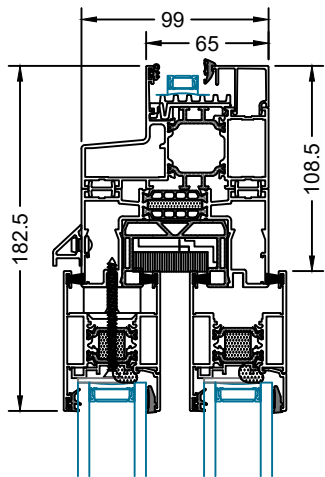


Slider/Slider
Standard

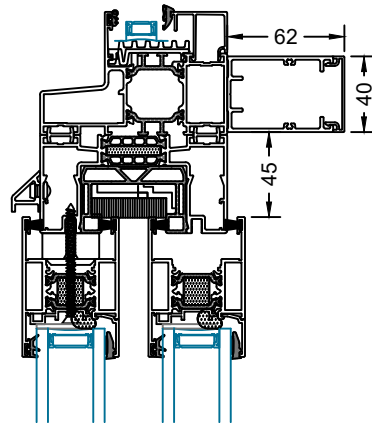


Slider/Slider
Heavy Duty

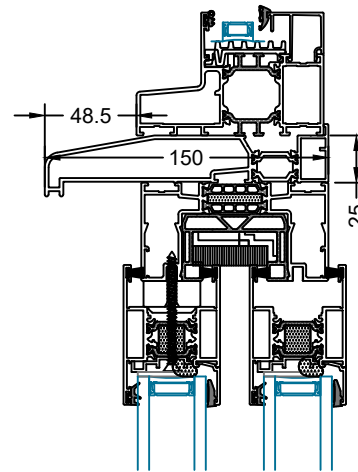
For Profile Limitations,
See Section E



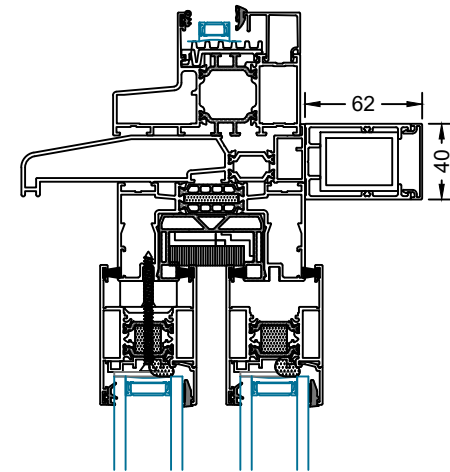
Standard



Heavy Duty



Heavy Duty For More Exposed Locations

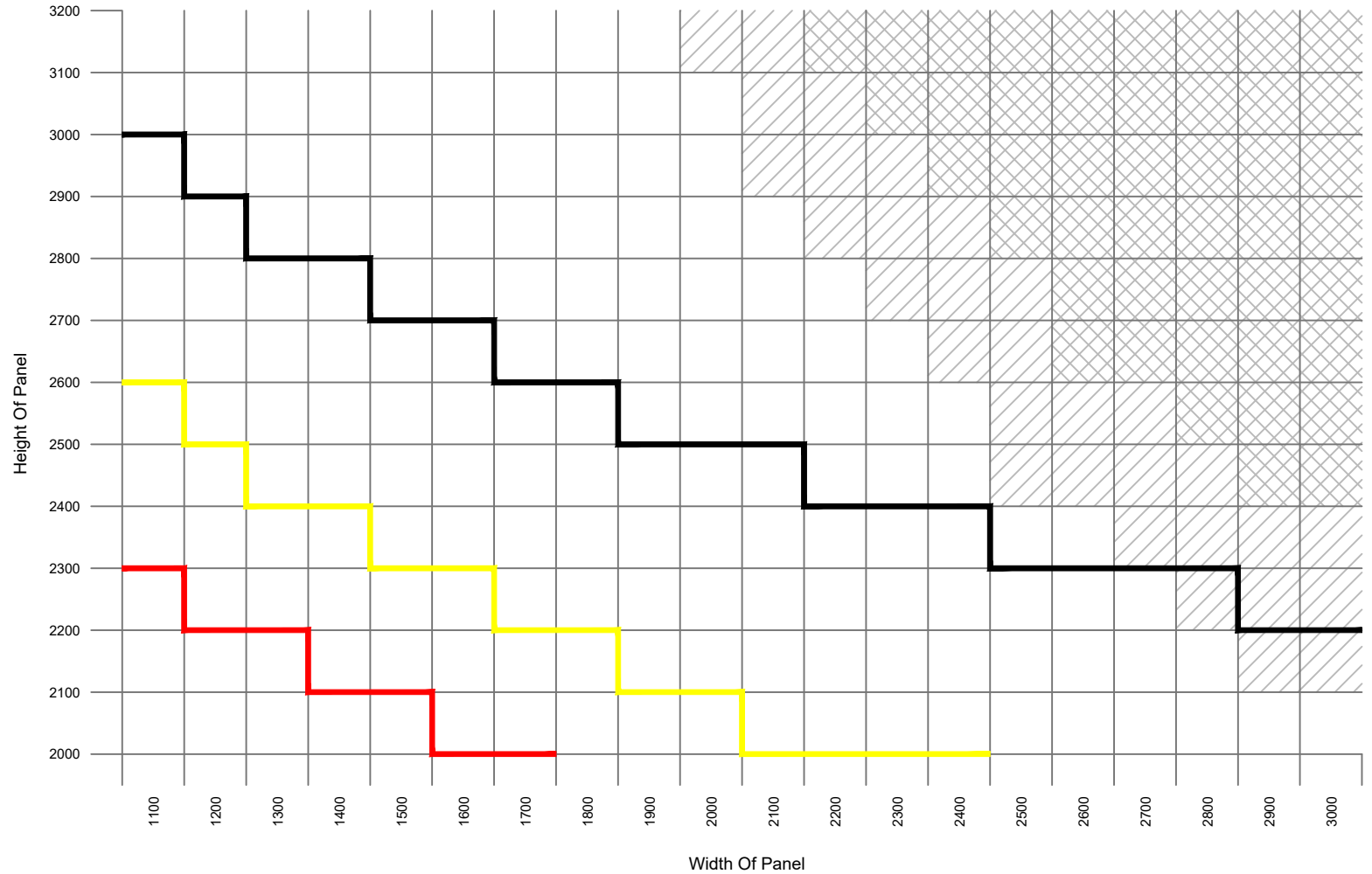
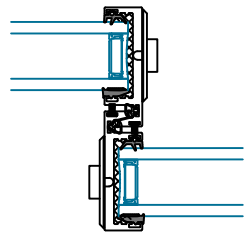


Heavy Duty For Extra Wide Openings

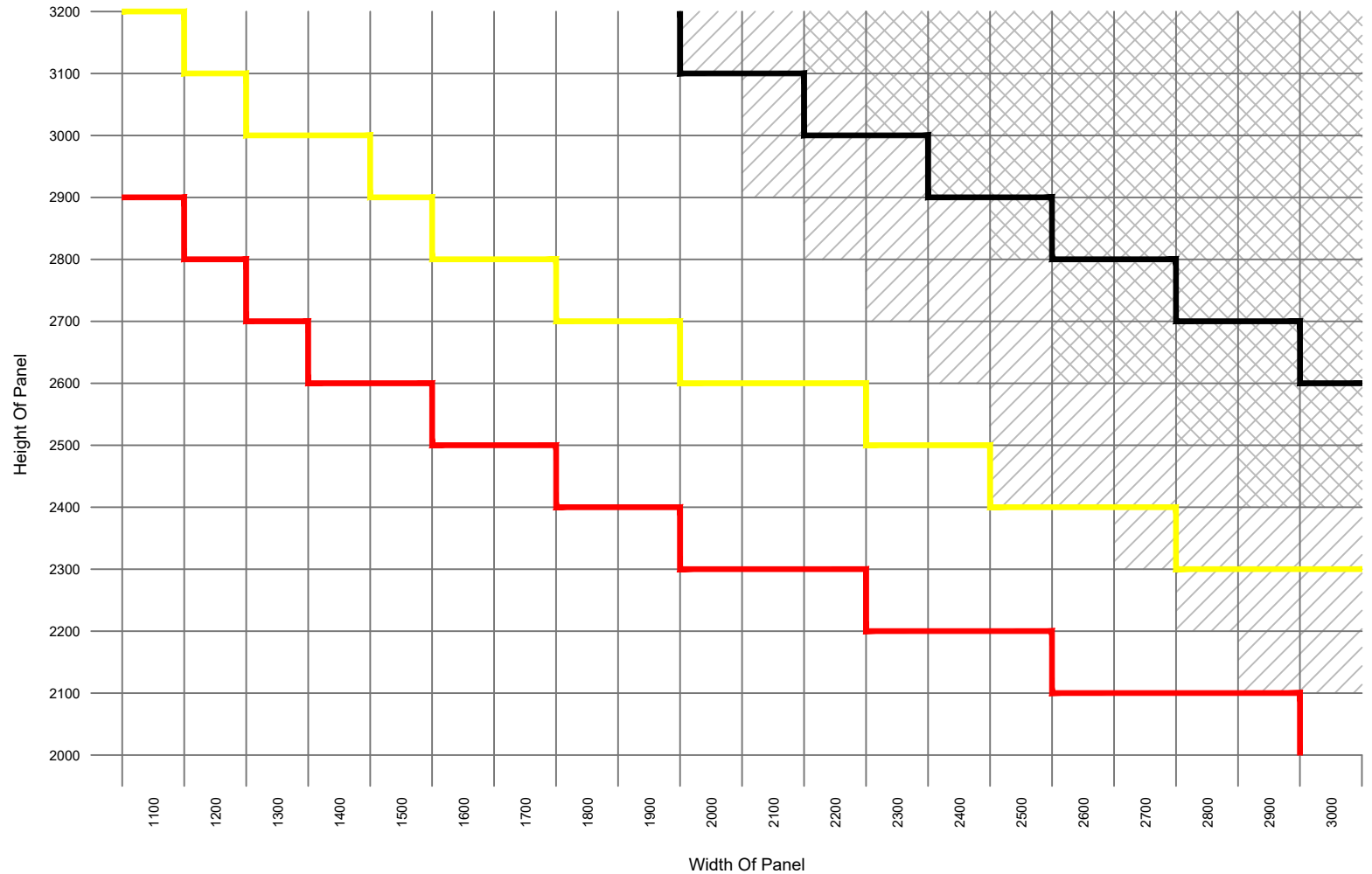
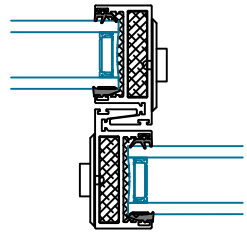
For Profile Limitations,
See Section E

The Edge 2.0 (Twin Track)

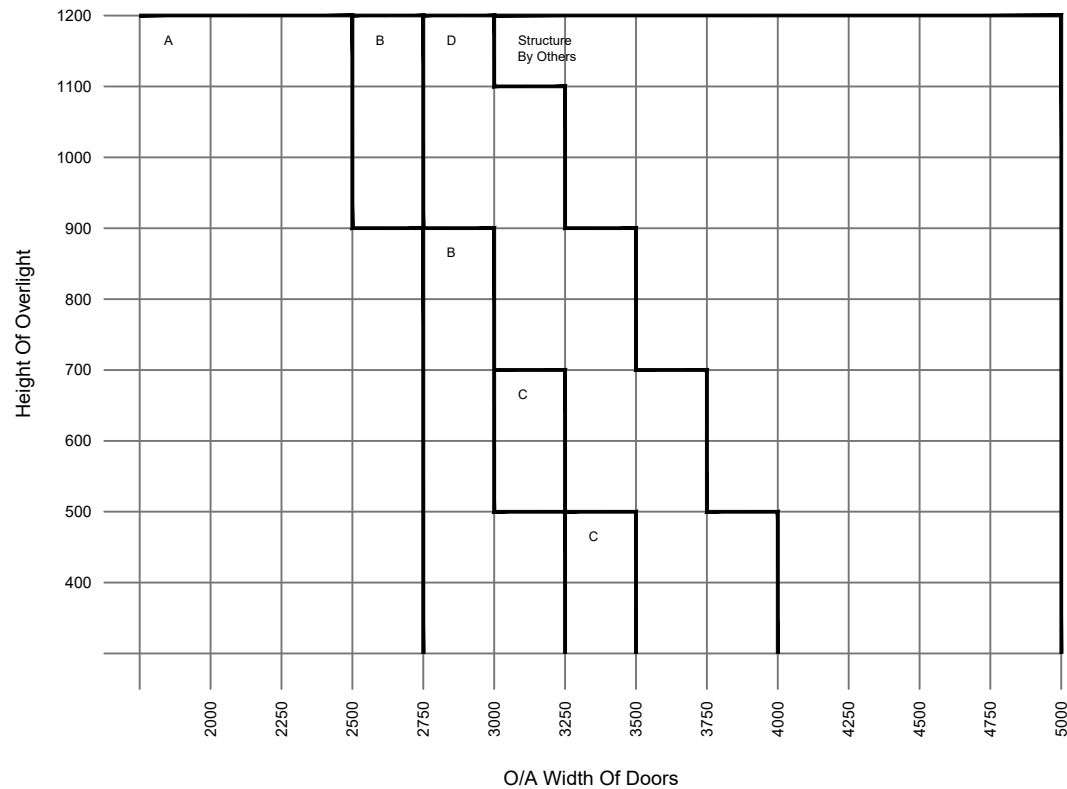
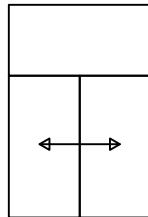
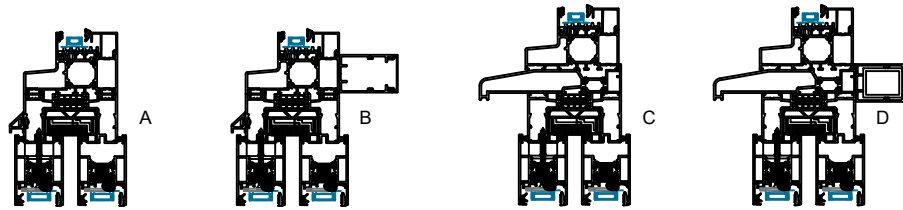
STATICS



- Max. Panel Size @ 750pa
- Max. Panel Size @ 1200pa
- Max. Panel Size @ 1700pa
- Panel Weight 250-350kg
Reinforced Track & No Guarantee
- 350kg+ Not Recommended
No Guarantee

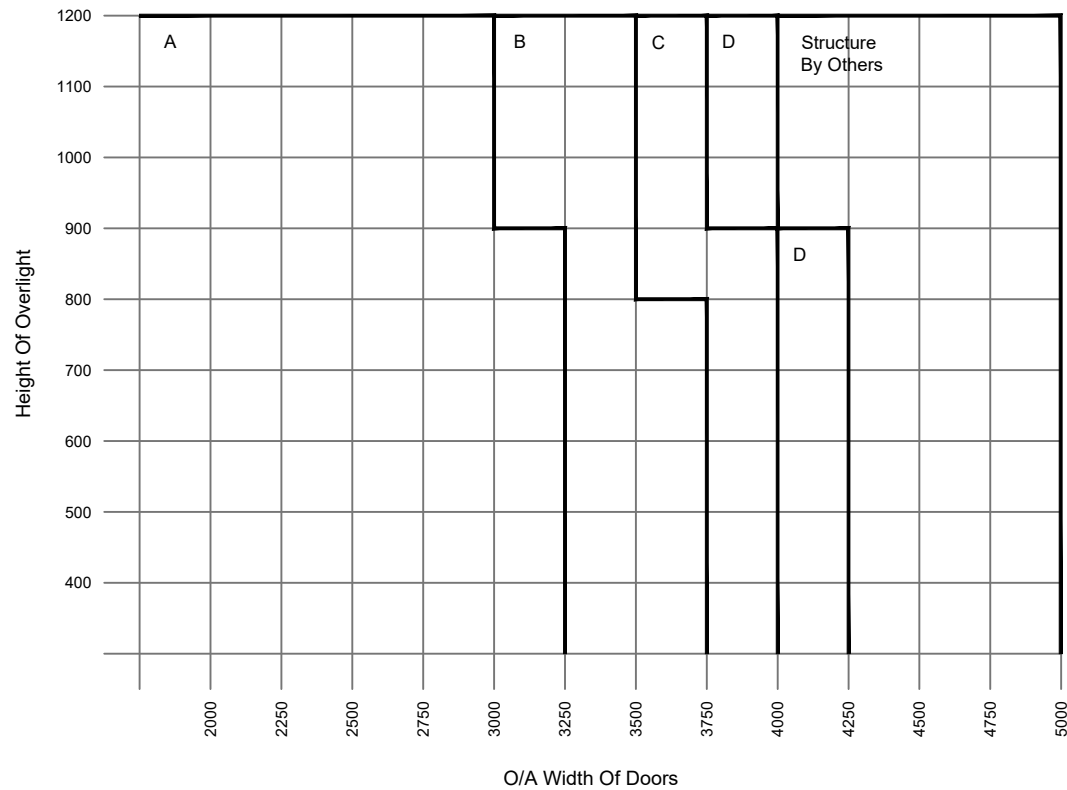
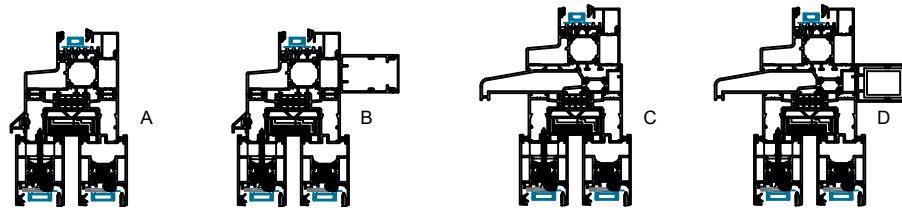
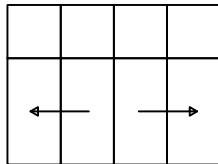
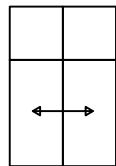
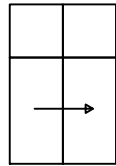
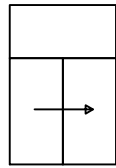


- Max. Panel Size @ 750pa
- Max. Panel Size @ 1200pa
- Max. Panel Size @ 1700pa
- Panel Weight 250-350kg
Reinforced Track & No Guarantee
- 350kg+ Not Recommended
No Guarantee



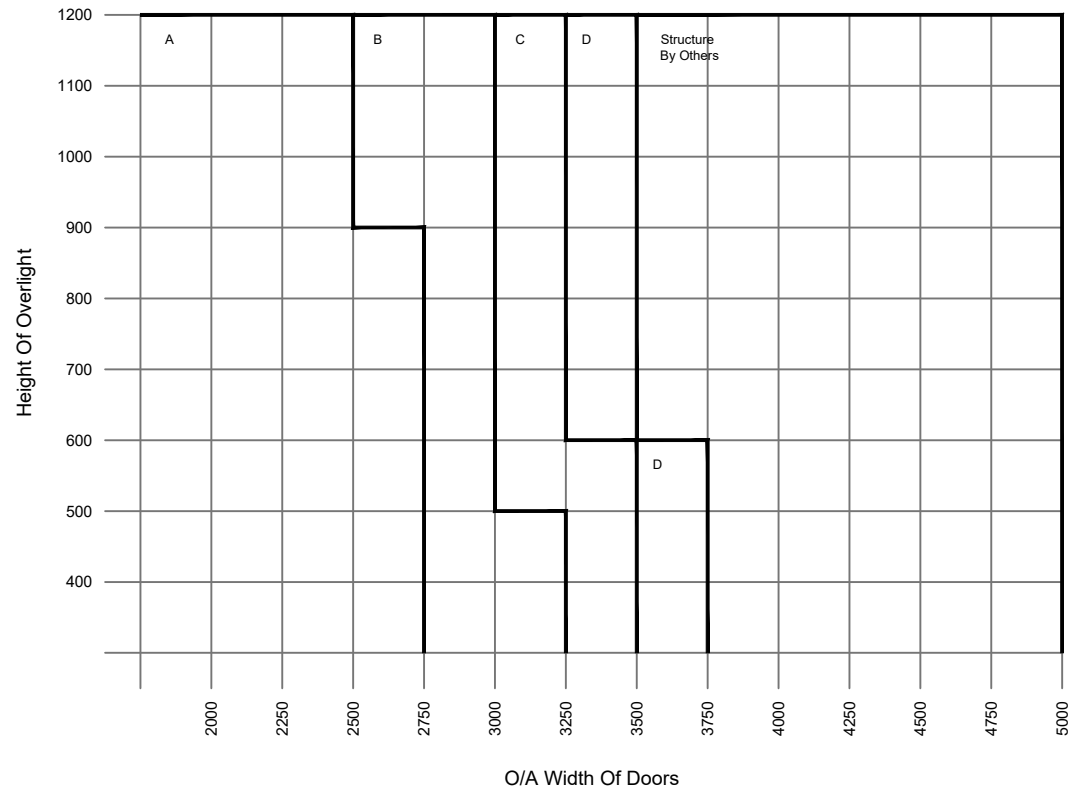
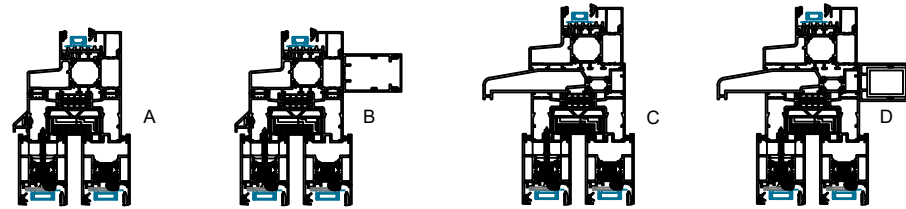
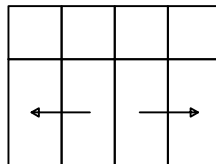
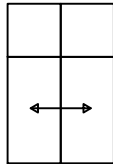
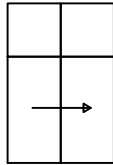
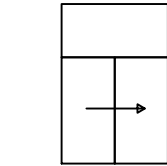
NOTE All calculations assume the following;
 Doors at maximum of 2500mm high.
 Glass in overlights to be maximum 6mm inner and outer panes.
 Openings assumed to be a ground level and not requiring to meet Part K for barrier loading.

If customers design falls outside parameters shown it may still be possible but will need to be confirmed by the Design Office.



NOTE All calculations assume the following;
 Doors at maximum of 2500mm high.
 Glass in overlights to be maximum 6mm inner and outer panes.
 Openings assumed to be a ground level and not requiring to meet Part K for barrier loading.

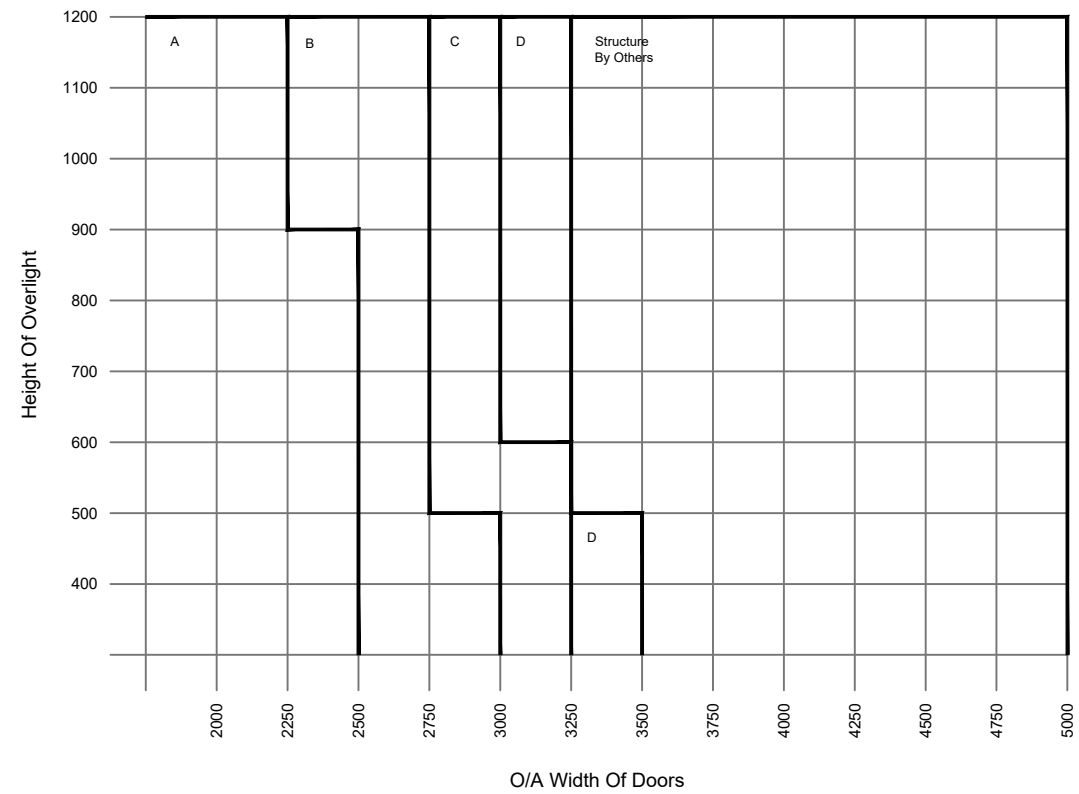
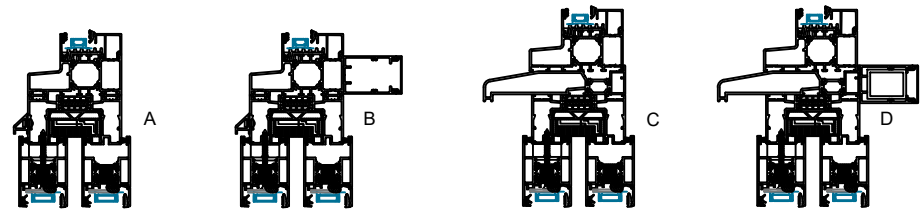
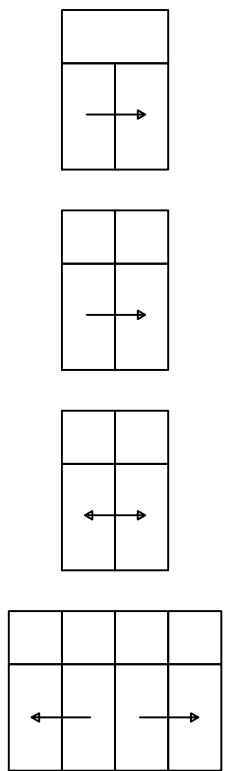
If customers design falls outside parameters shown it may still be possible but will need to be confirmed by the Design Office.



Rural Location 1200Pa
(eg North Yorkshire)

NOTE All calculations assume the following:
Doors at maximum of 2500mm high.
Glass in overlights to be maximum 6mm inner and outer panes.
Openings assumed to be a ground level and not requiring to meet Part K for barrier loading.

If customers design falls outside parameters shown it may still be possible but will need to be confirmed by the Design Office.



NOTE All calculations assume the following:
 Doors at maximum of 2500mm high.
 Glass in overlights to be maximum 6mm inner and outer panes.
 Openings assumed to be a ground level and not requiring to meet Part K for barrier loading.

If customers design falls outside parameters shown it may still be possible but will need to be confirmed by the Design Office.