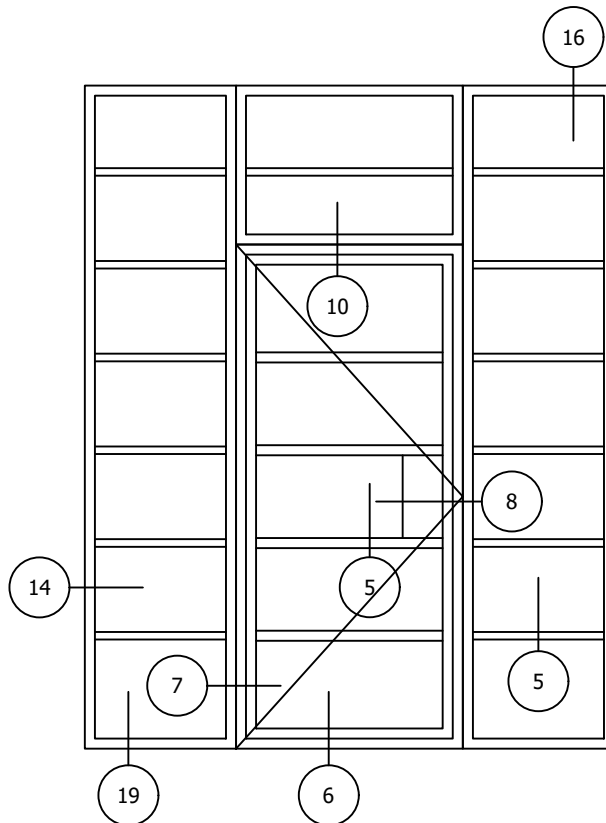
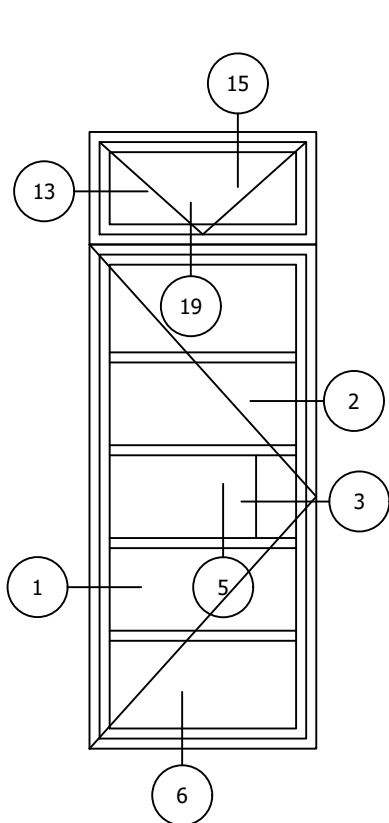
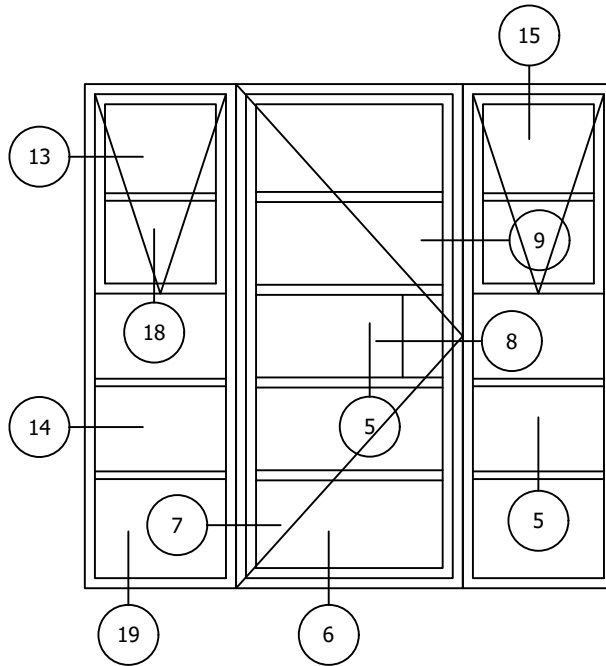
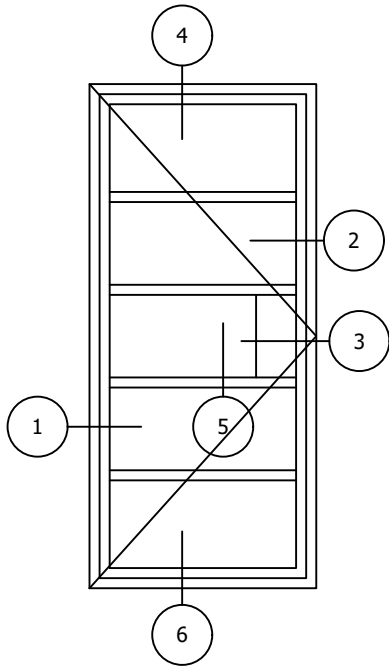
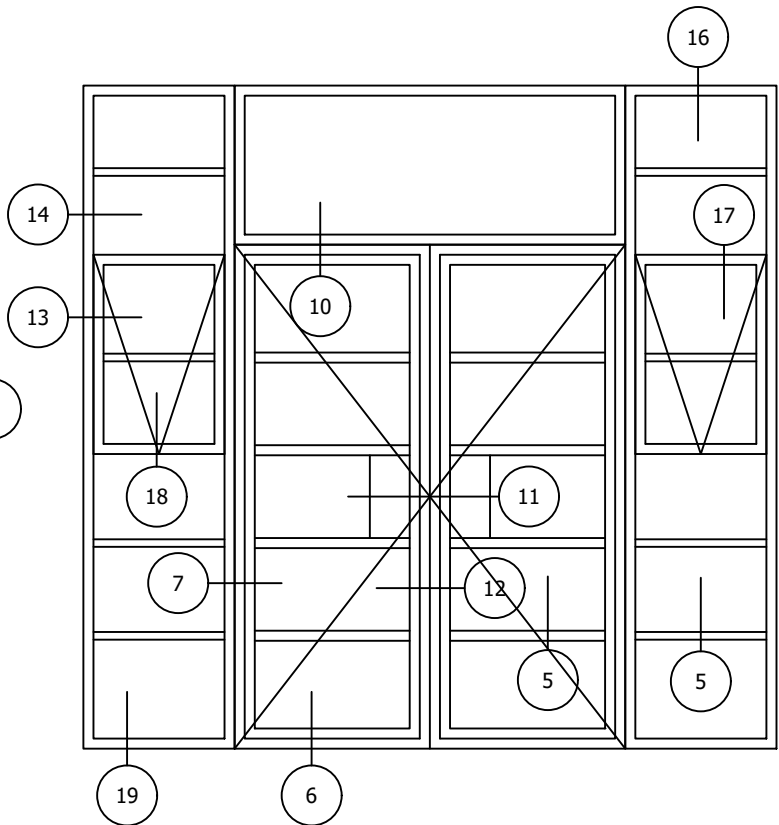
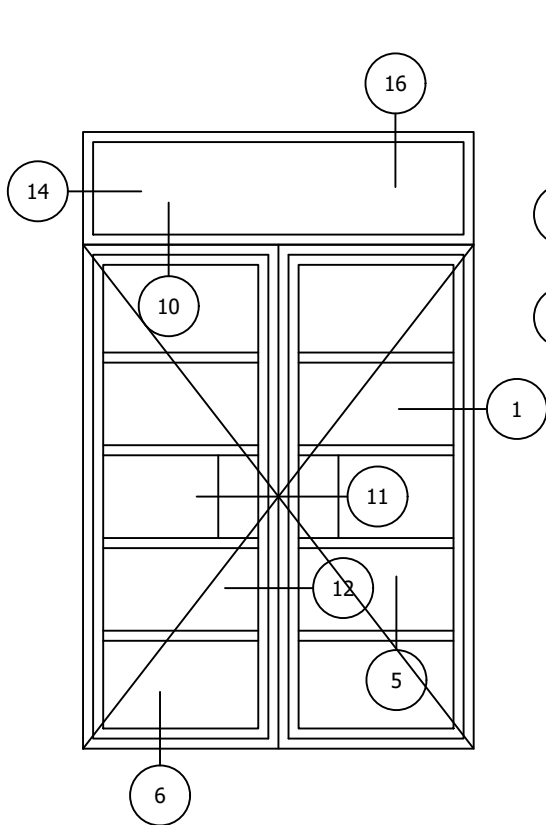
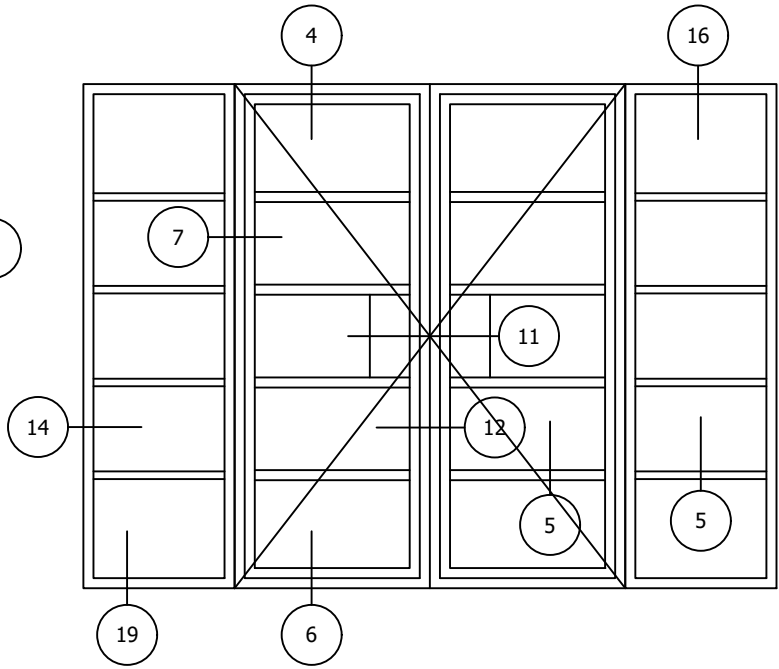
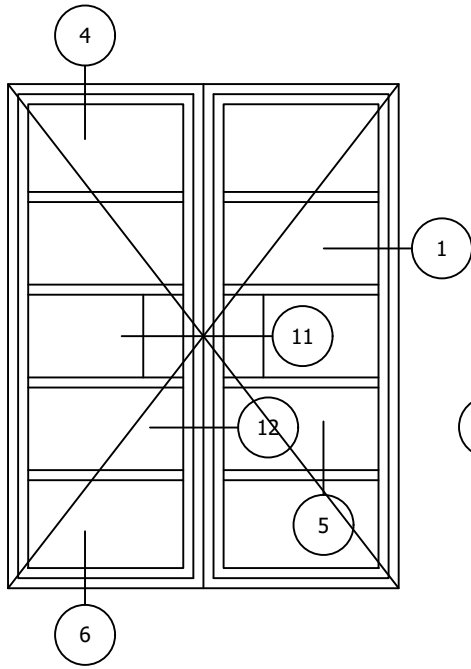
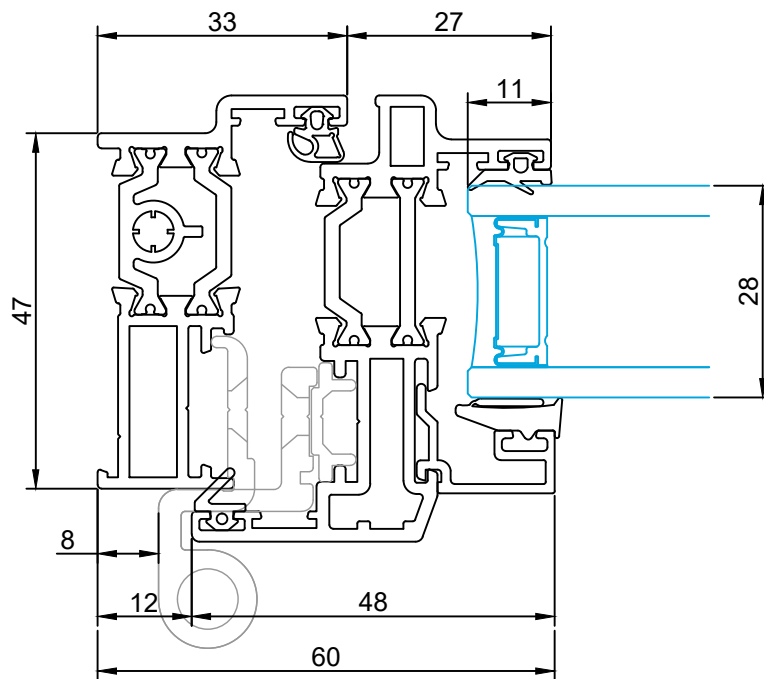
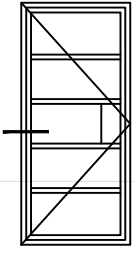


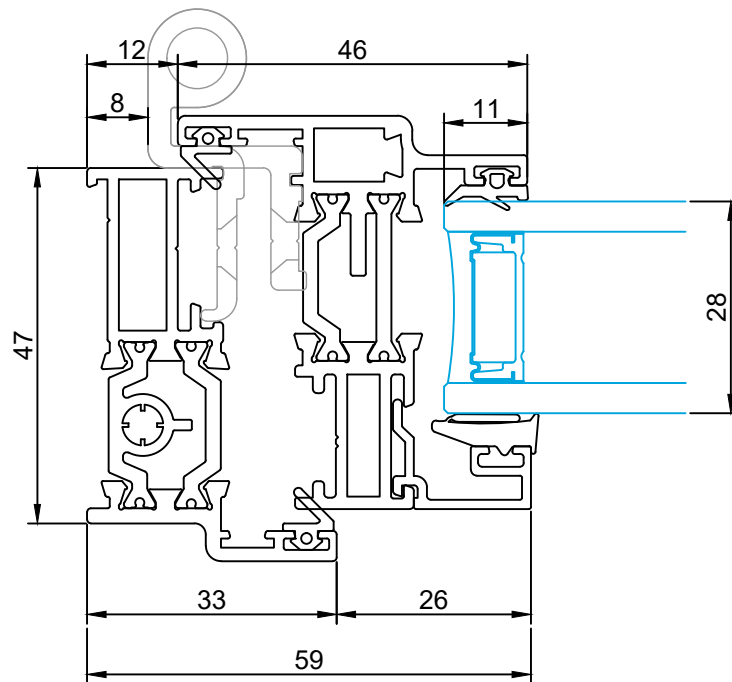
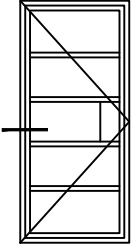
# The Heritage Screen Product Manual



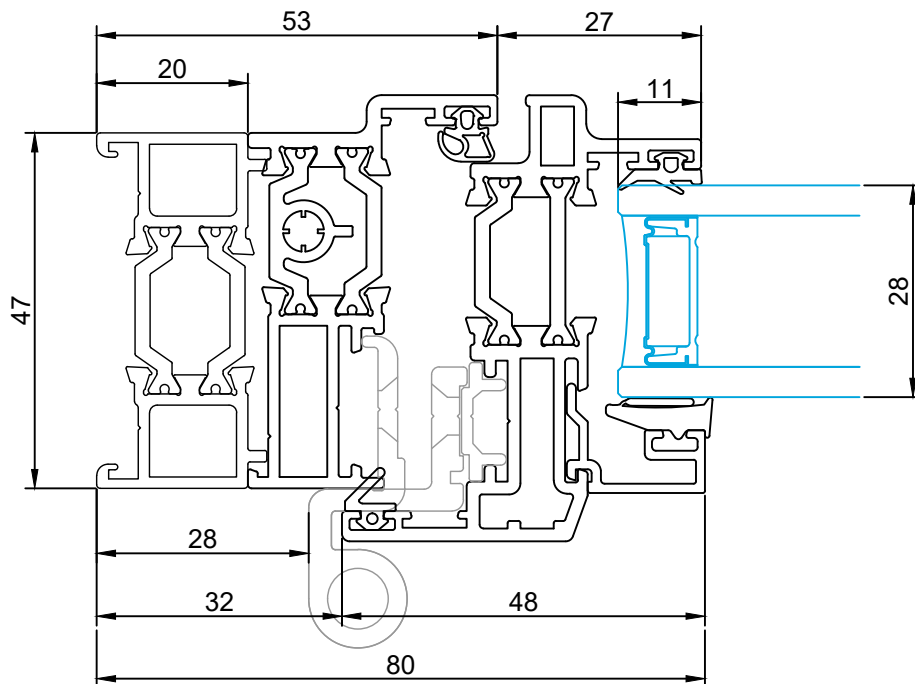
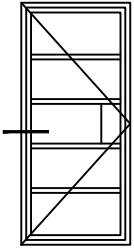




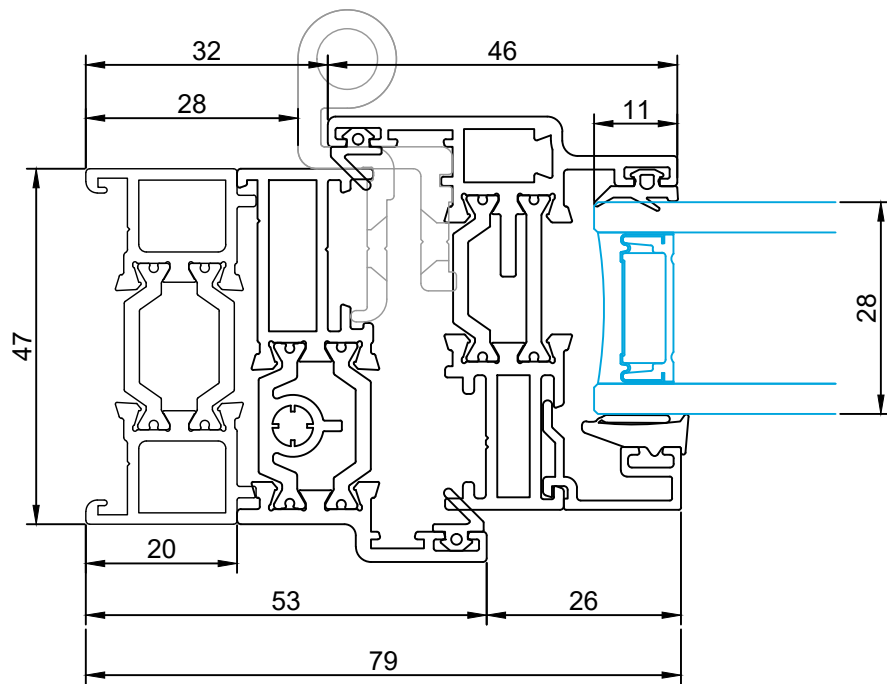
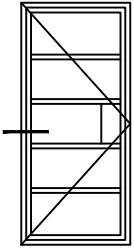
01  
 A



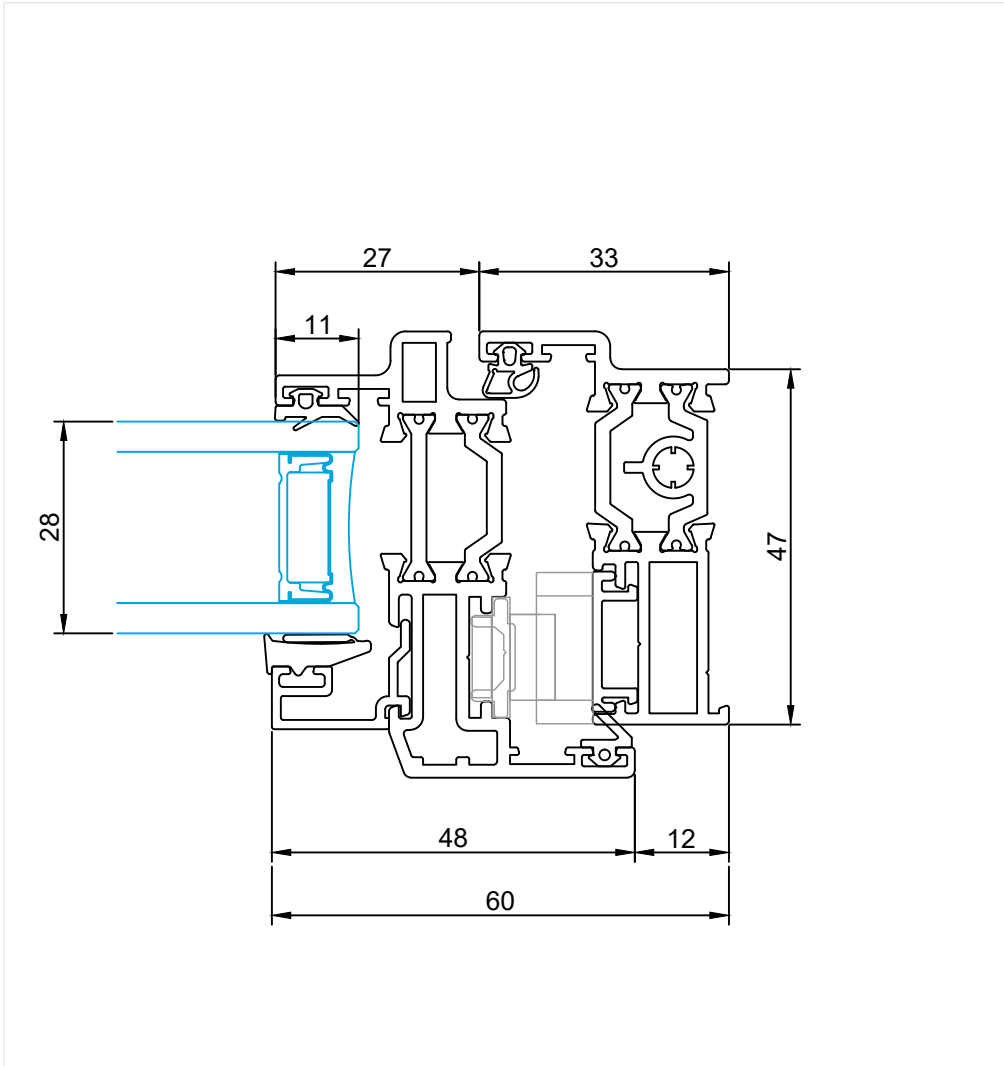
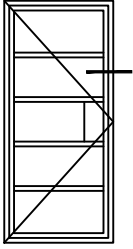
01  
B



01  
C

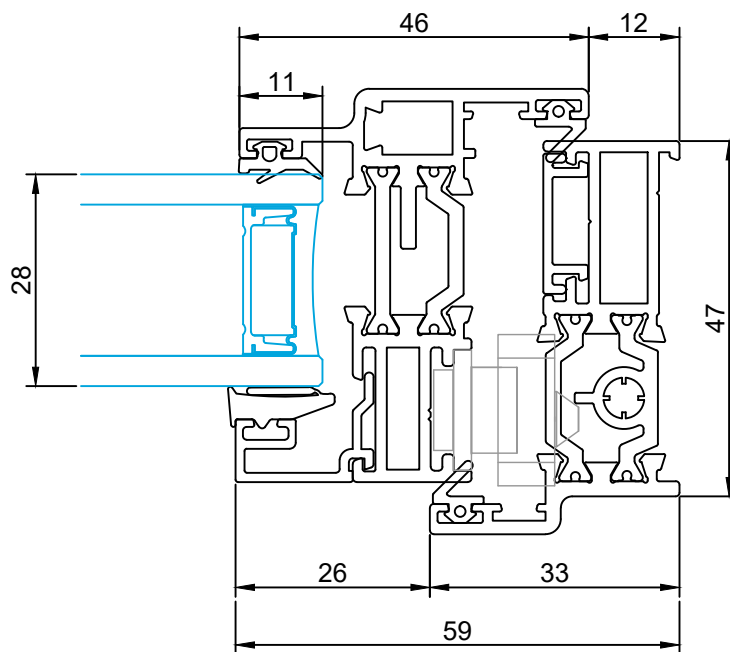
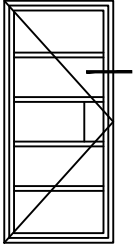


01  
D

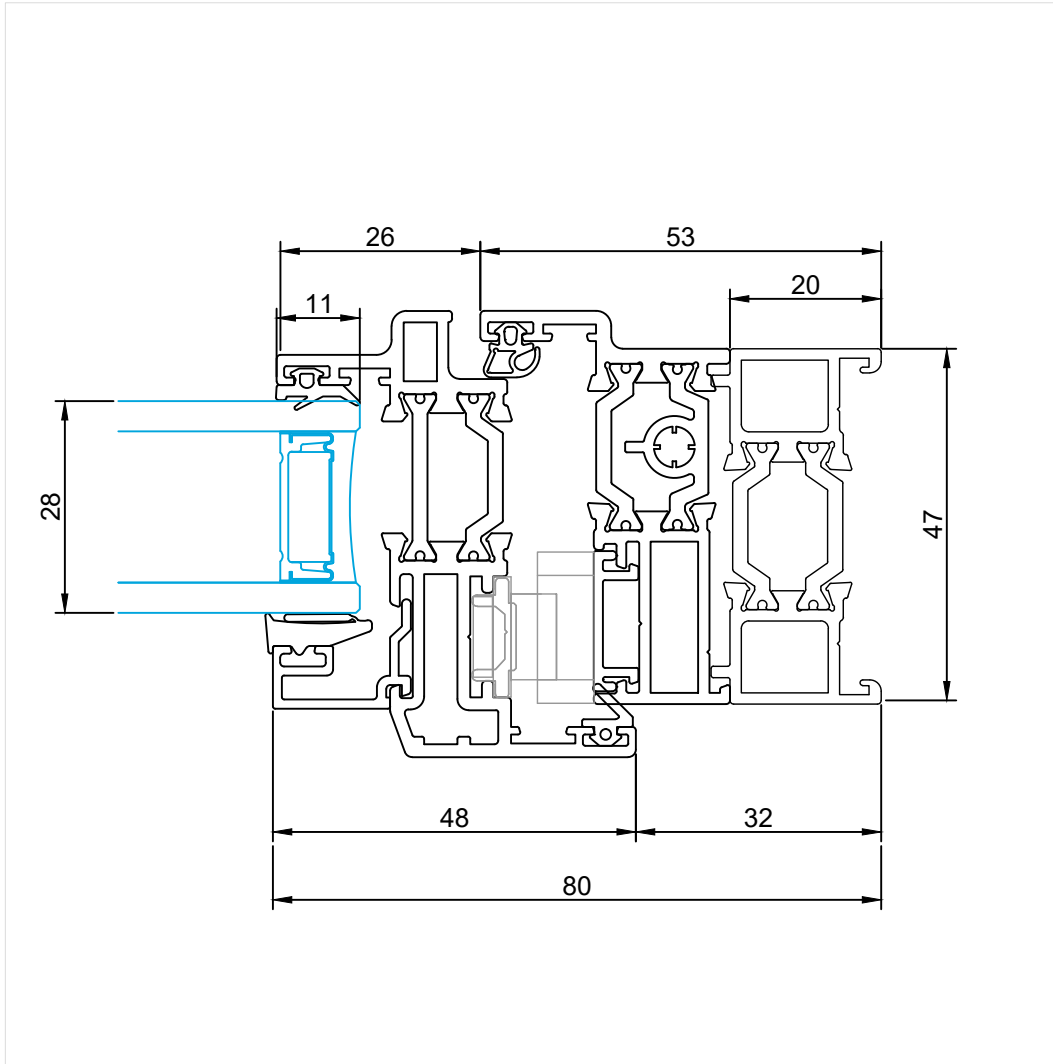
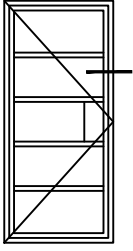


02  
A

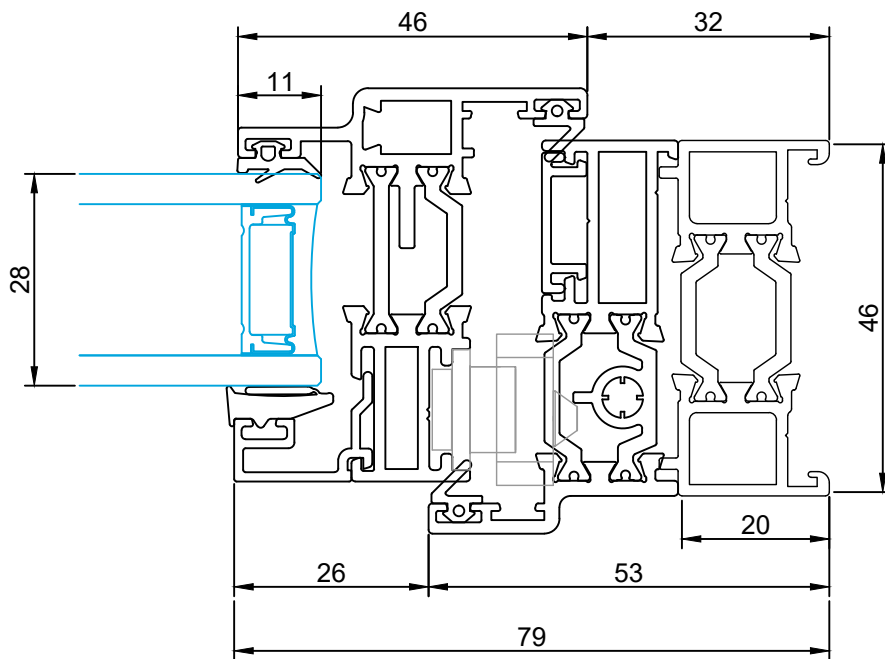
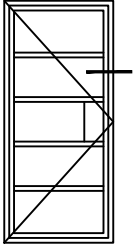




02  
 B



02  
 C



02  
D

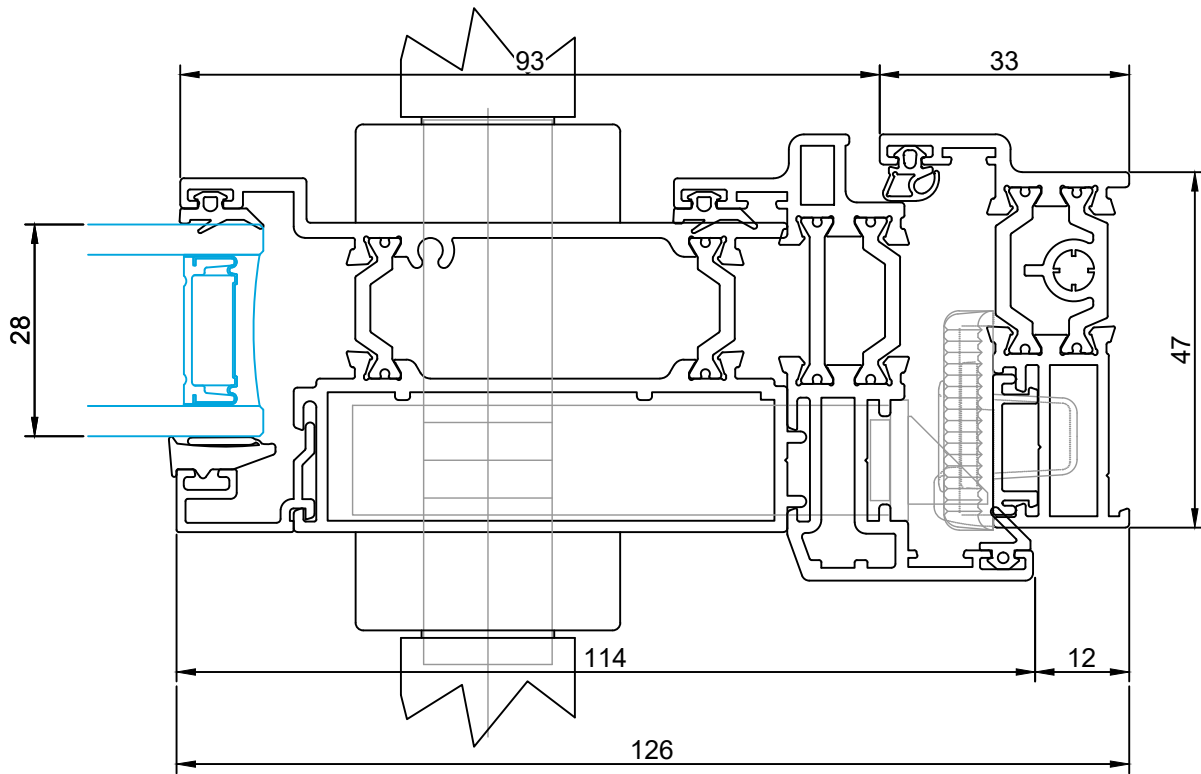
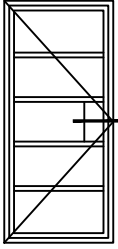
Description: Outward Opening Door - Opening Jamb -  
With Frame Extension

System: The Heritage Screen

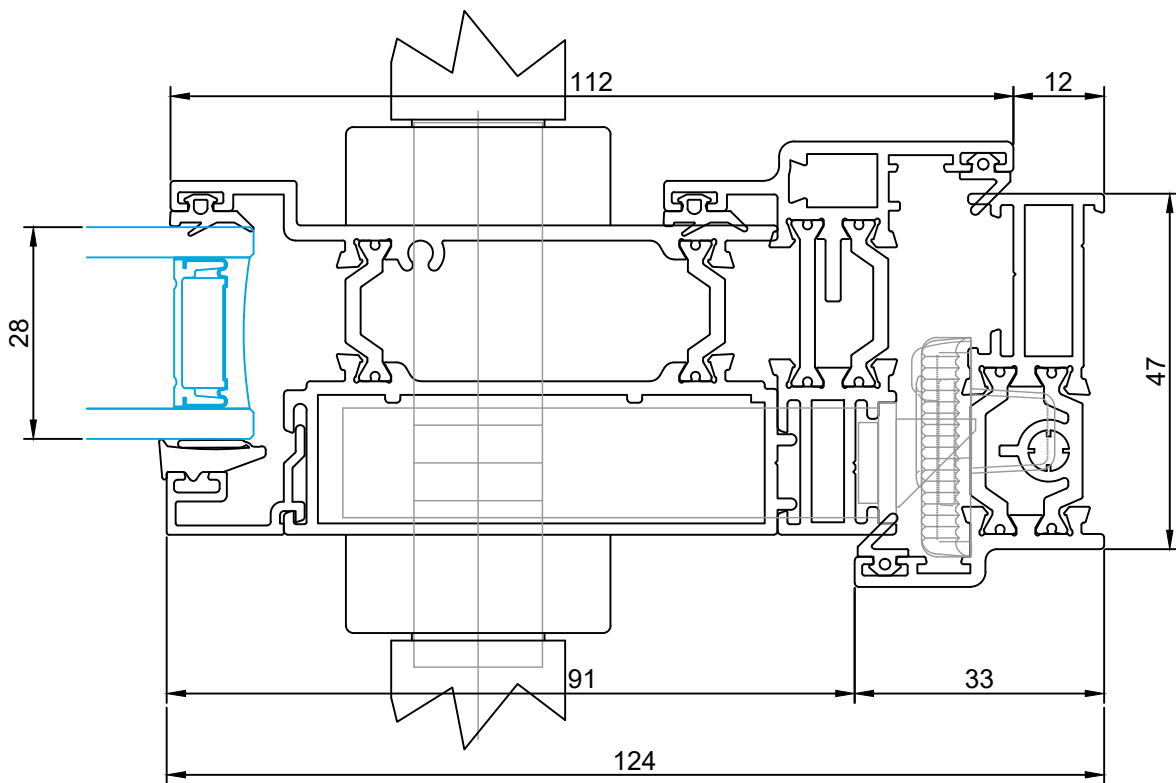
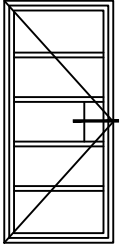
Rev.

Page: 10

A



03  
A



03  
B

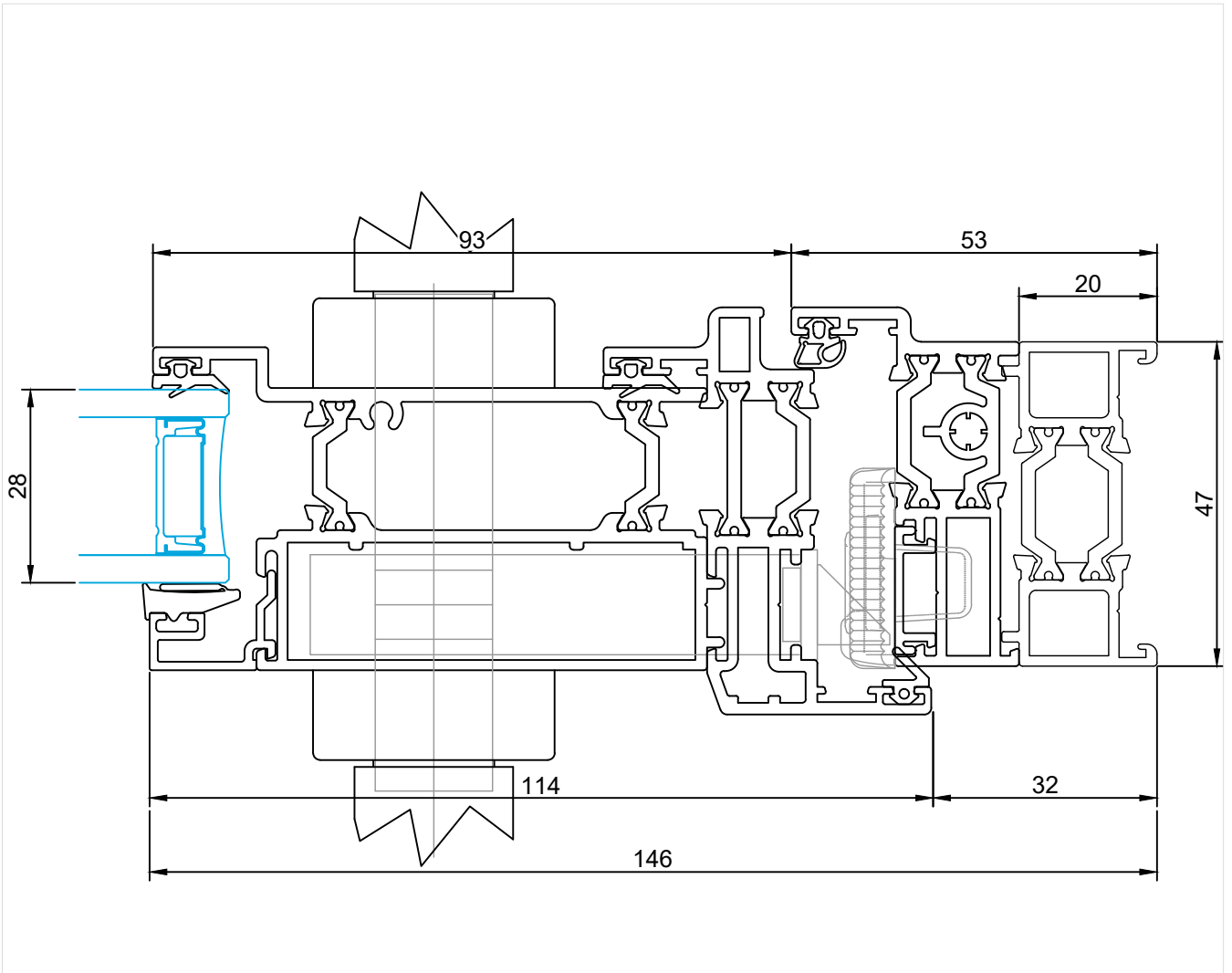
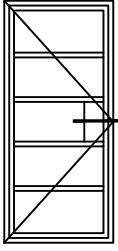
Description: Outward Opening Door - Opening Jamb Latch Section -  
No Frame Extension

System: The Heritage Screen

Rev.

Page: 12

A



03  
C

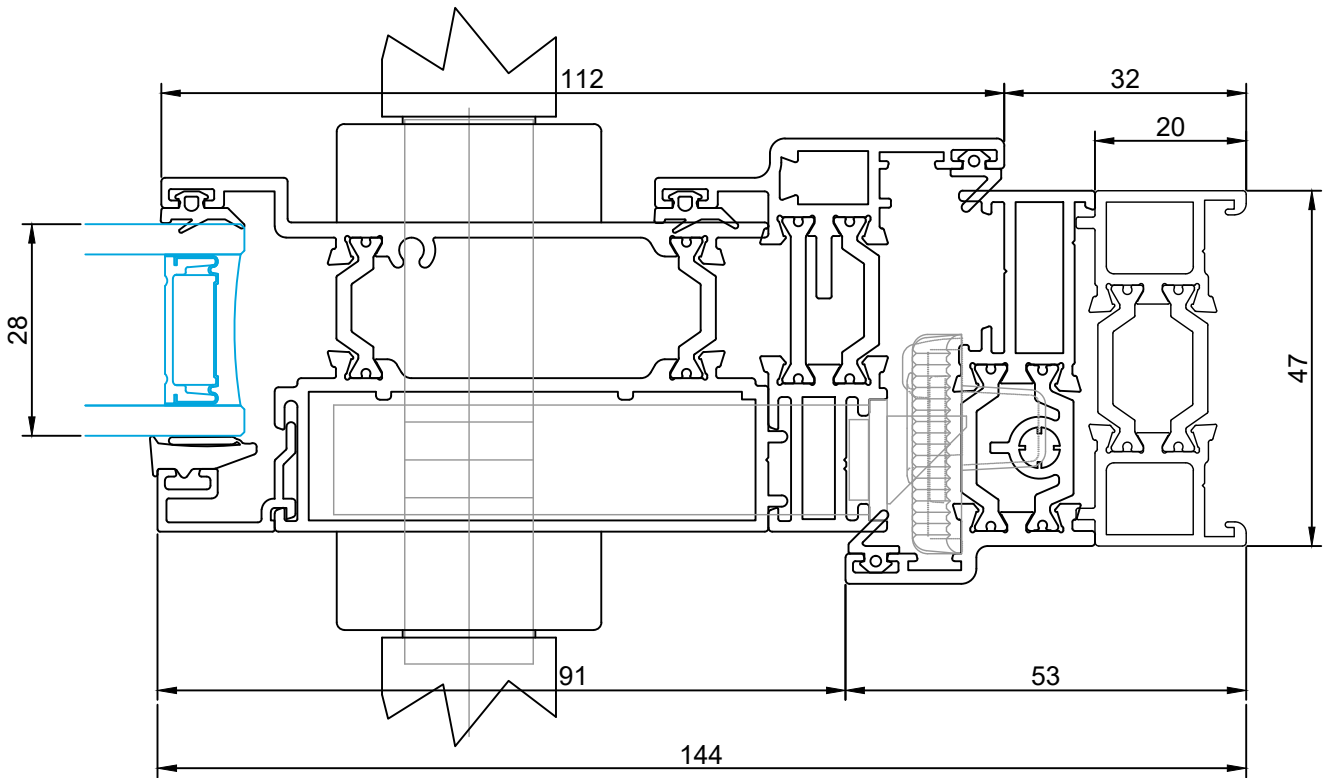
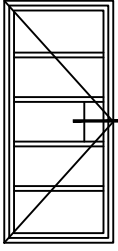
Description: Inward Opening Door - Opening Jamb Latch Section -  
With Frame Extension

System: The Heritage Screen

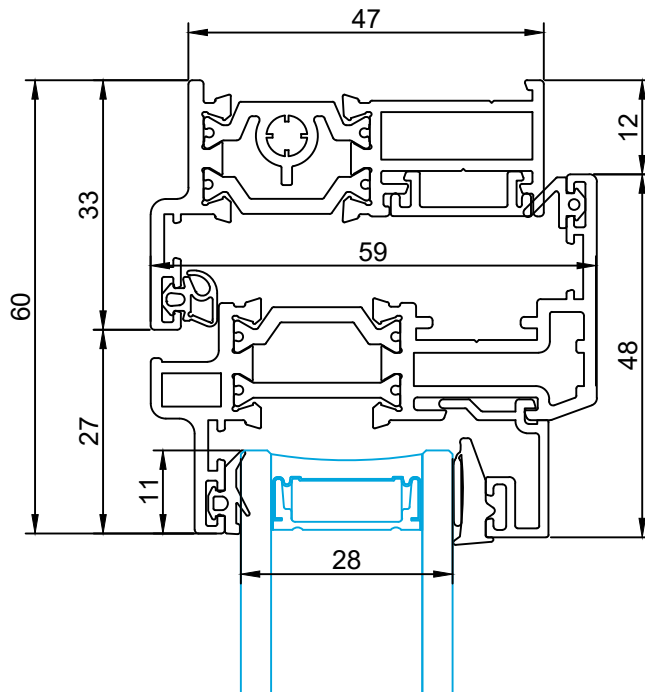
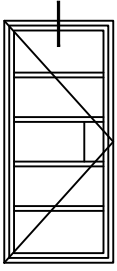
Rev.

Page: 13

A

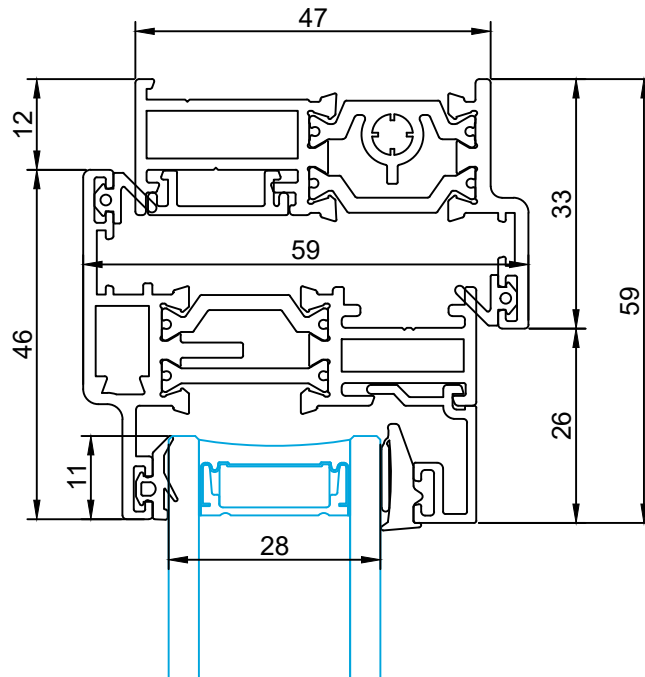
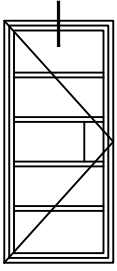


03  
D

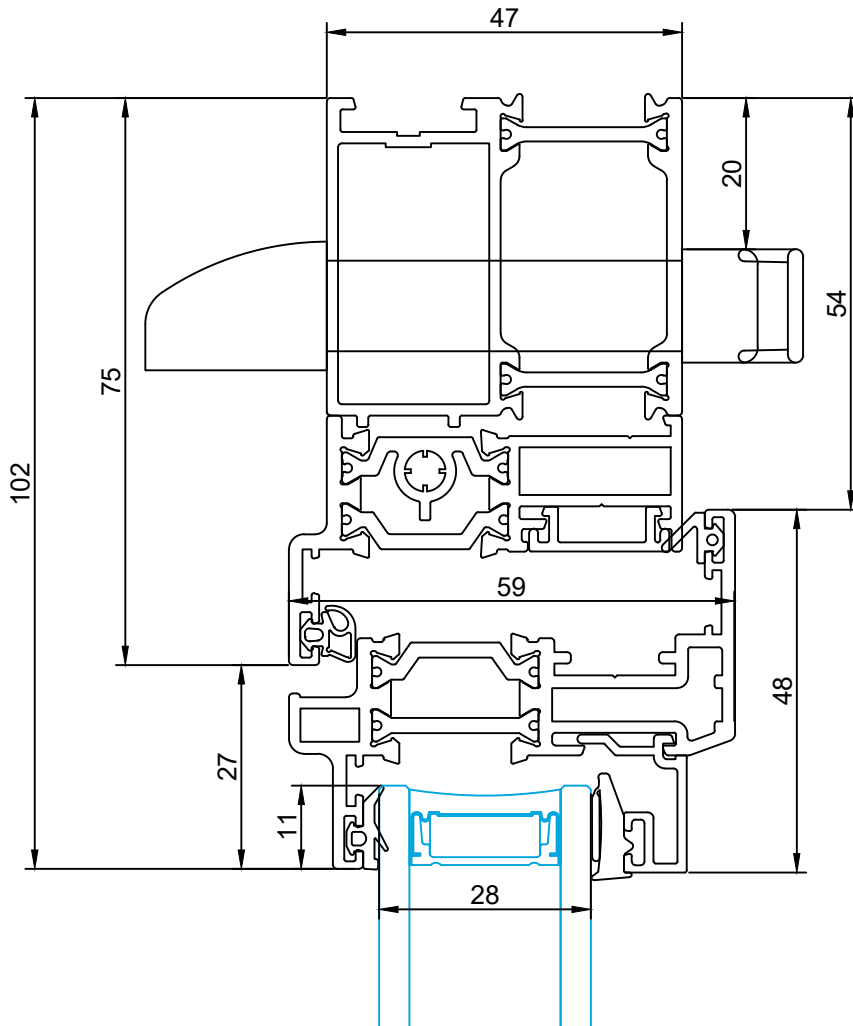
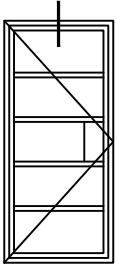


04  
A





04  
B



04  
C

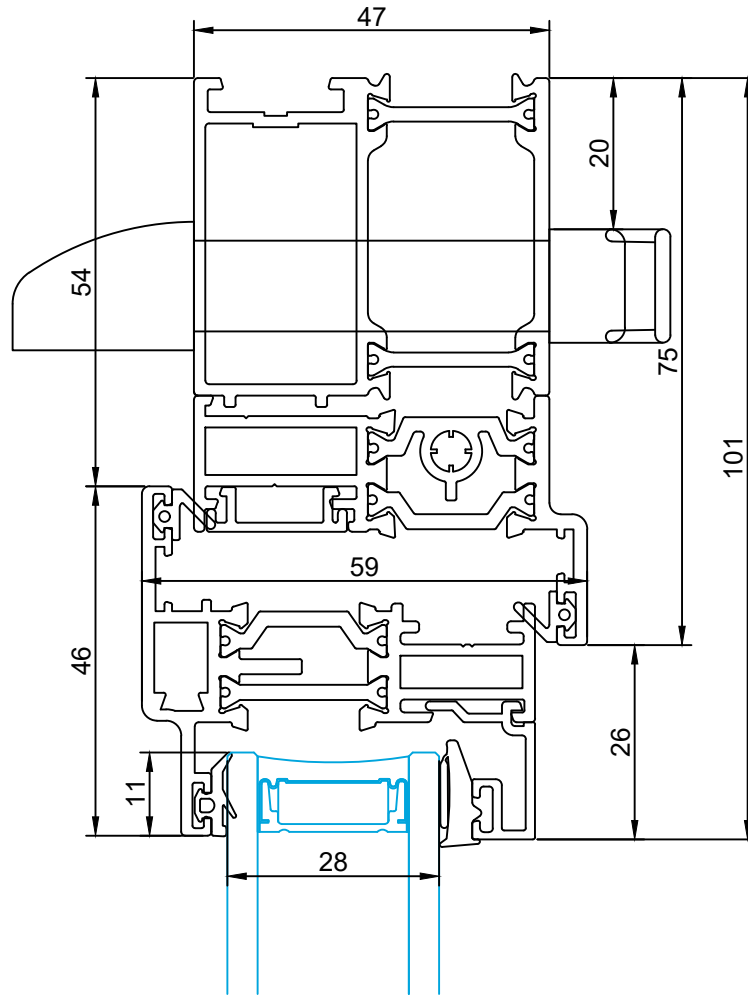
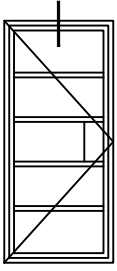
Description: Inward Opening Door - Head Rail -  
With Frame Extension Incorporating Trickle Vent

System: The Heritage Screen

Rev.

Page: 17

A



04  
D

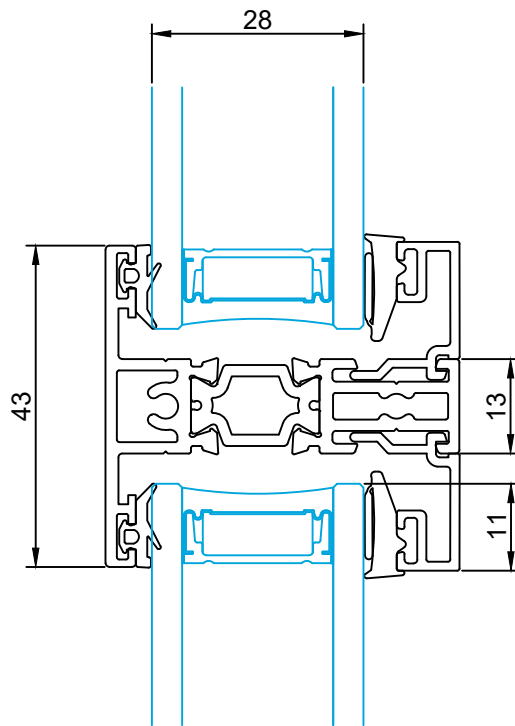
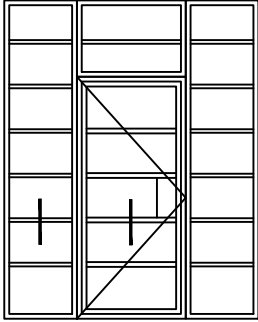
Description: Outward Opening Door - Head Rail -  
With Frame Extension Incorporating Trickle Vent

System: The Heritage Screen

Rev.

Page: 18

A

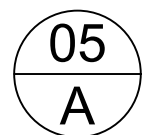


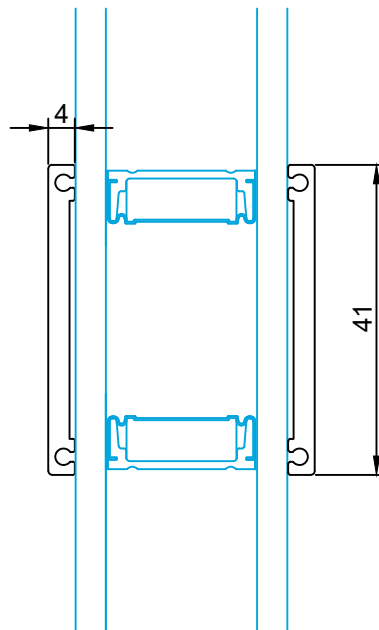
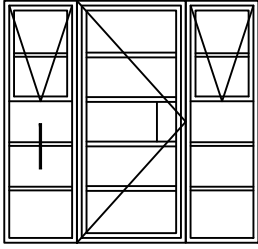
**NOTE:**

Transom Design For Use In Door Leafs  
And Fixed Windows WITHOUT Reversing  
Profiles Only.

Maximum Length of Transom is 1400mm  
@ 750PA and Assuming 600mm Transom  
Centres.

Please Check With IDS Technical Team  
Before Specifying

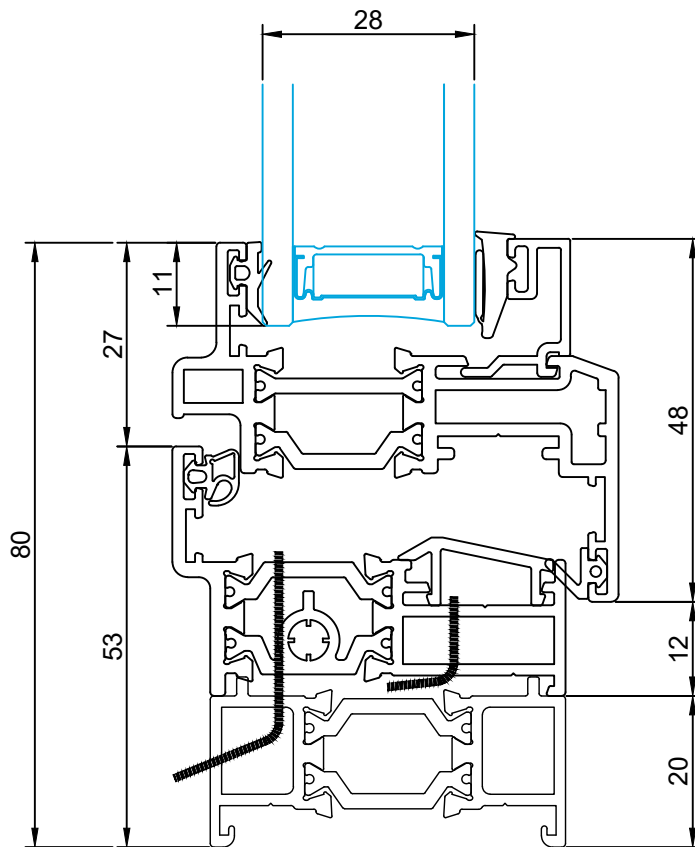
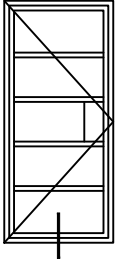




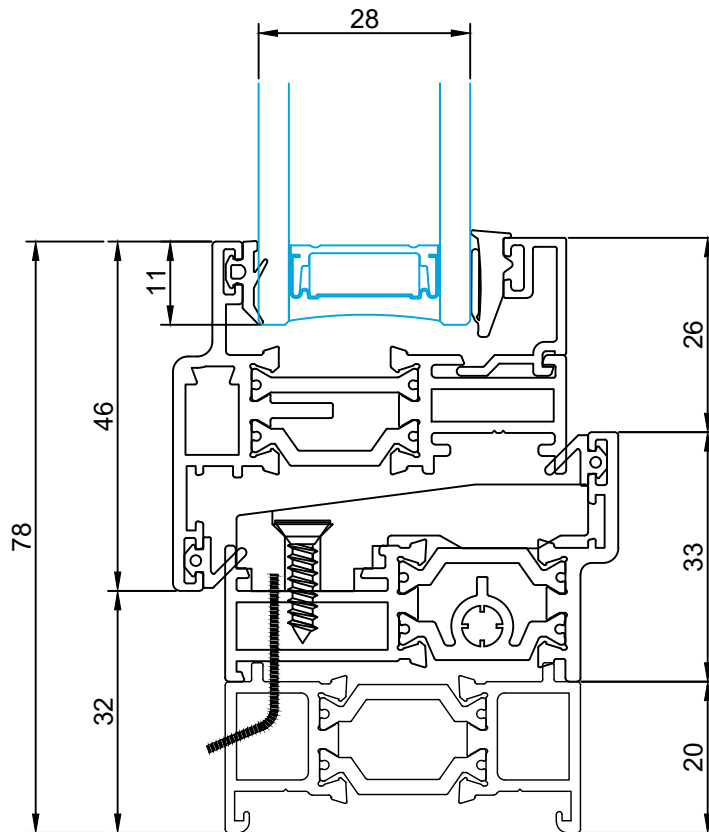
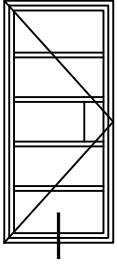
**NOTE:**

TO Be Used In ALL Sashes, Fixed Frames  
With Reversing Profiles And When  
OtherFrame Sizes Fall Outside SF20135  
Transom Limitations

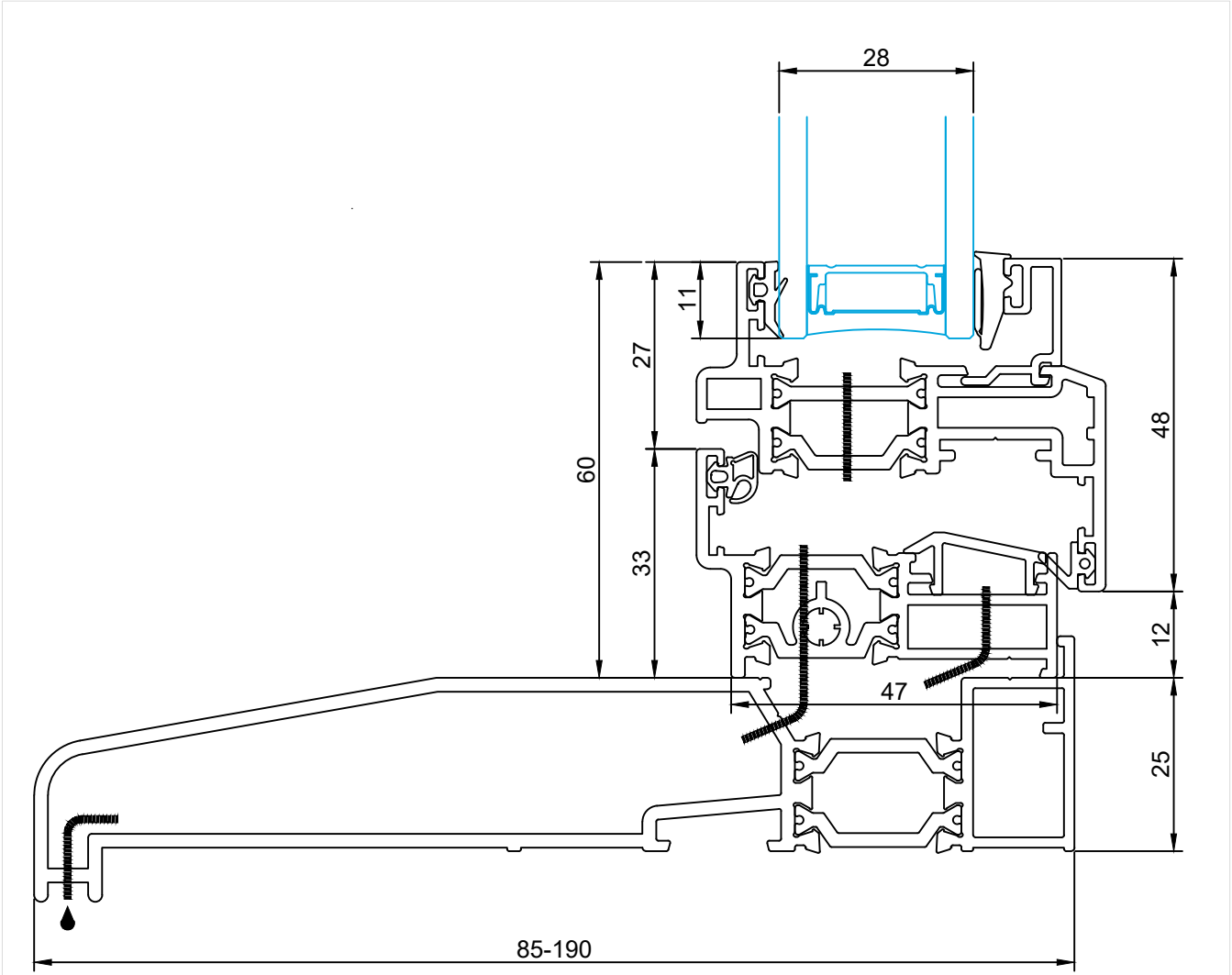
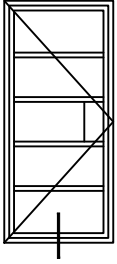
05  
B



06  
A

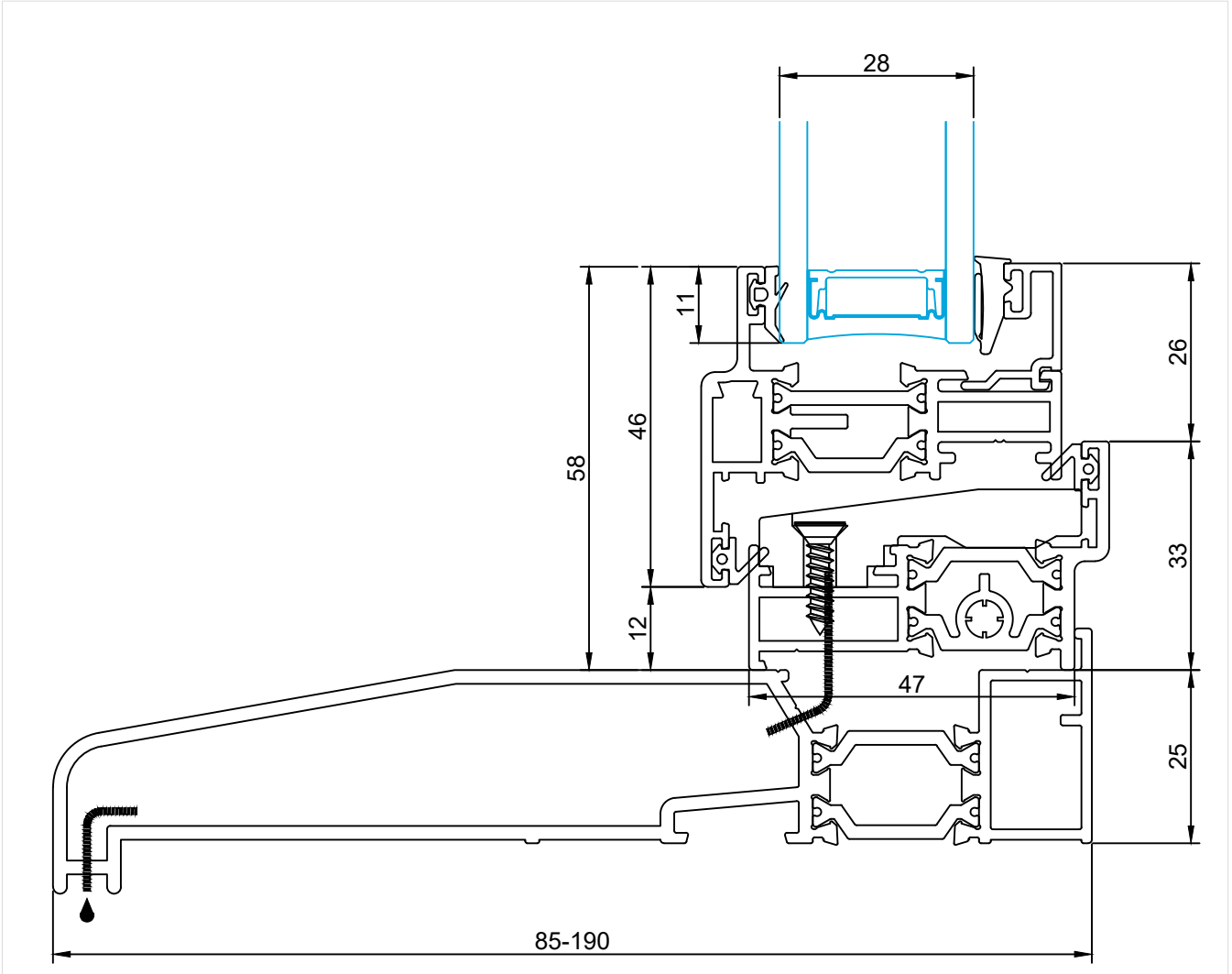
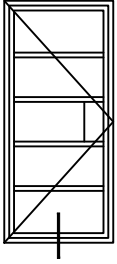


06  
B



06  
C





06  
D

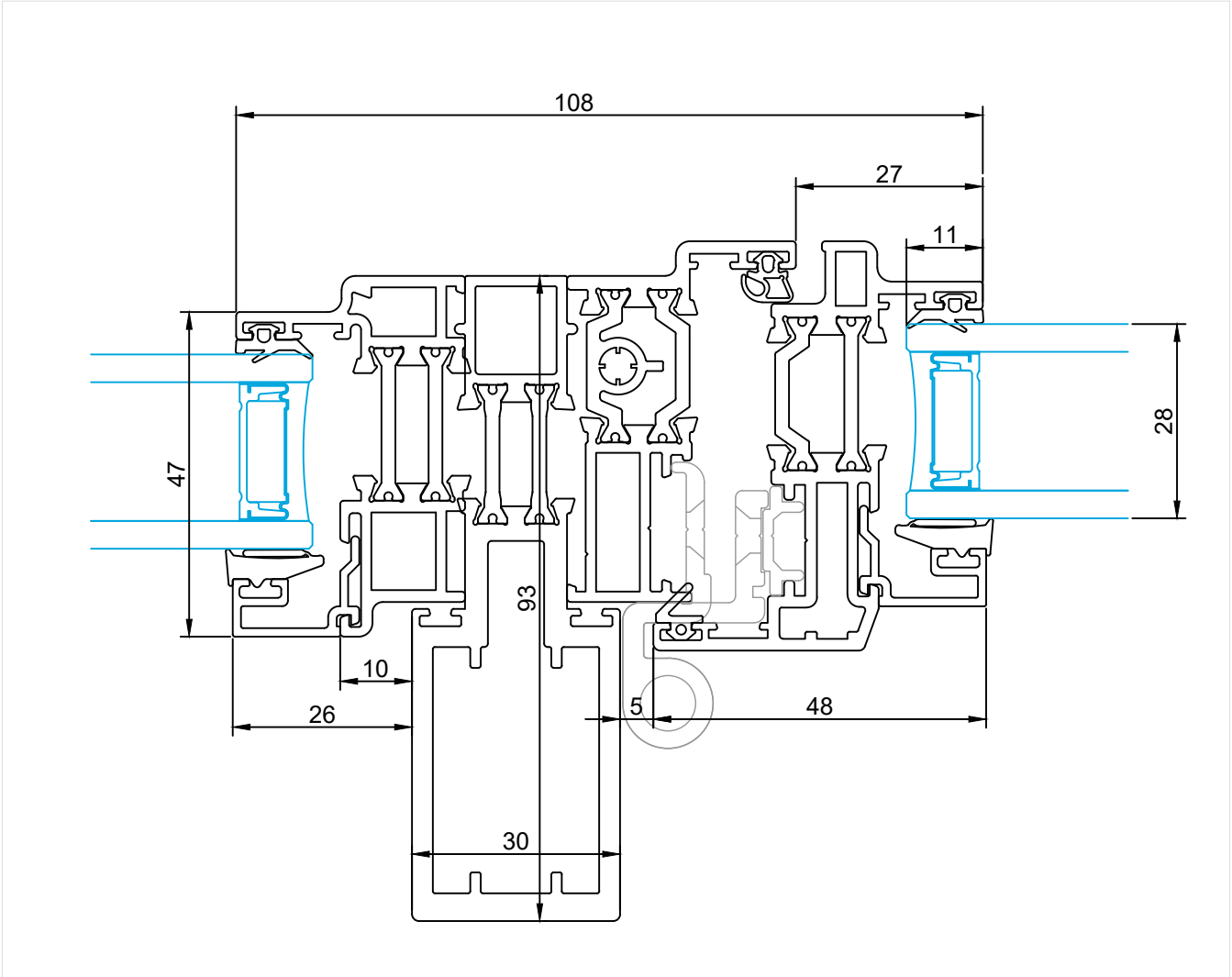
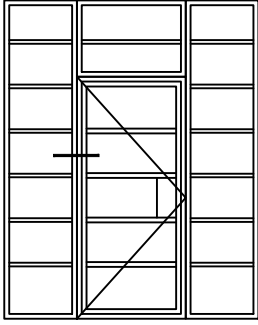
Description: Outward Opening Door Threshold - On Cill

System: The Heritage Screen

Rev.

Page: 24

A



07  
A

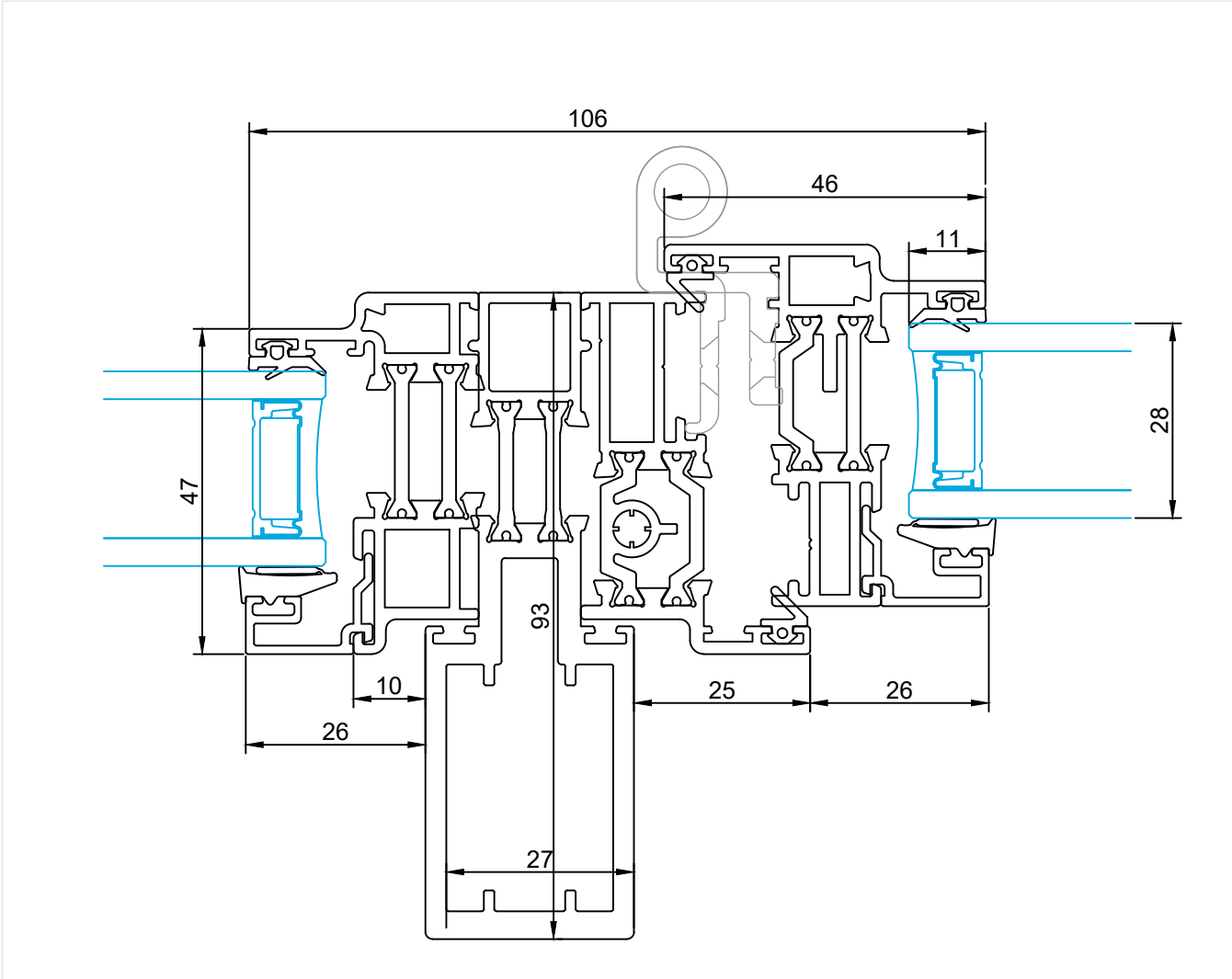
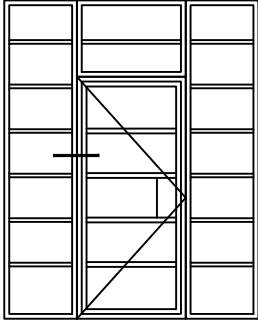
Description: SF20487 Coupling Bar - Inward Opening Door To Fixed Frame No Reversing Profile  
For Size Limitations See Page 61

System: The Heritage Screen

Rev.

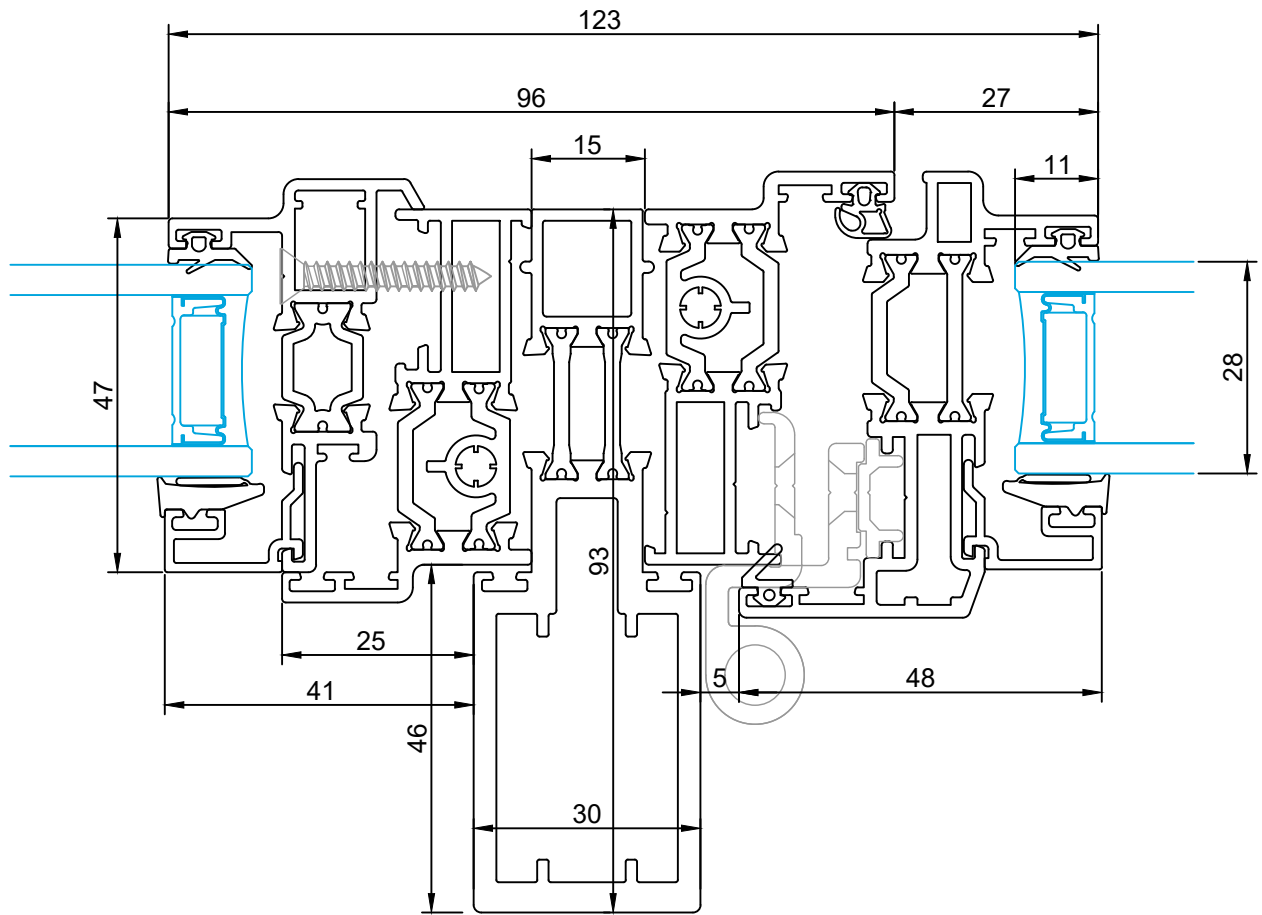
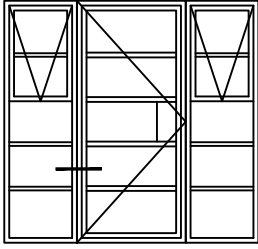
Page: 25

A



07  
B

Description: SF20487 Coupling Bar - Outward Opening Door To Fixed Frame No Reversing Profile For Size Limitations See Page 61	System: The Heritage Screen	Rev.
	Page: 26	A



07  
C

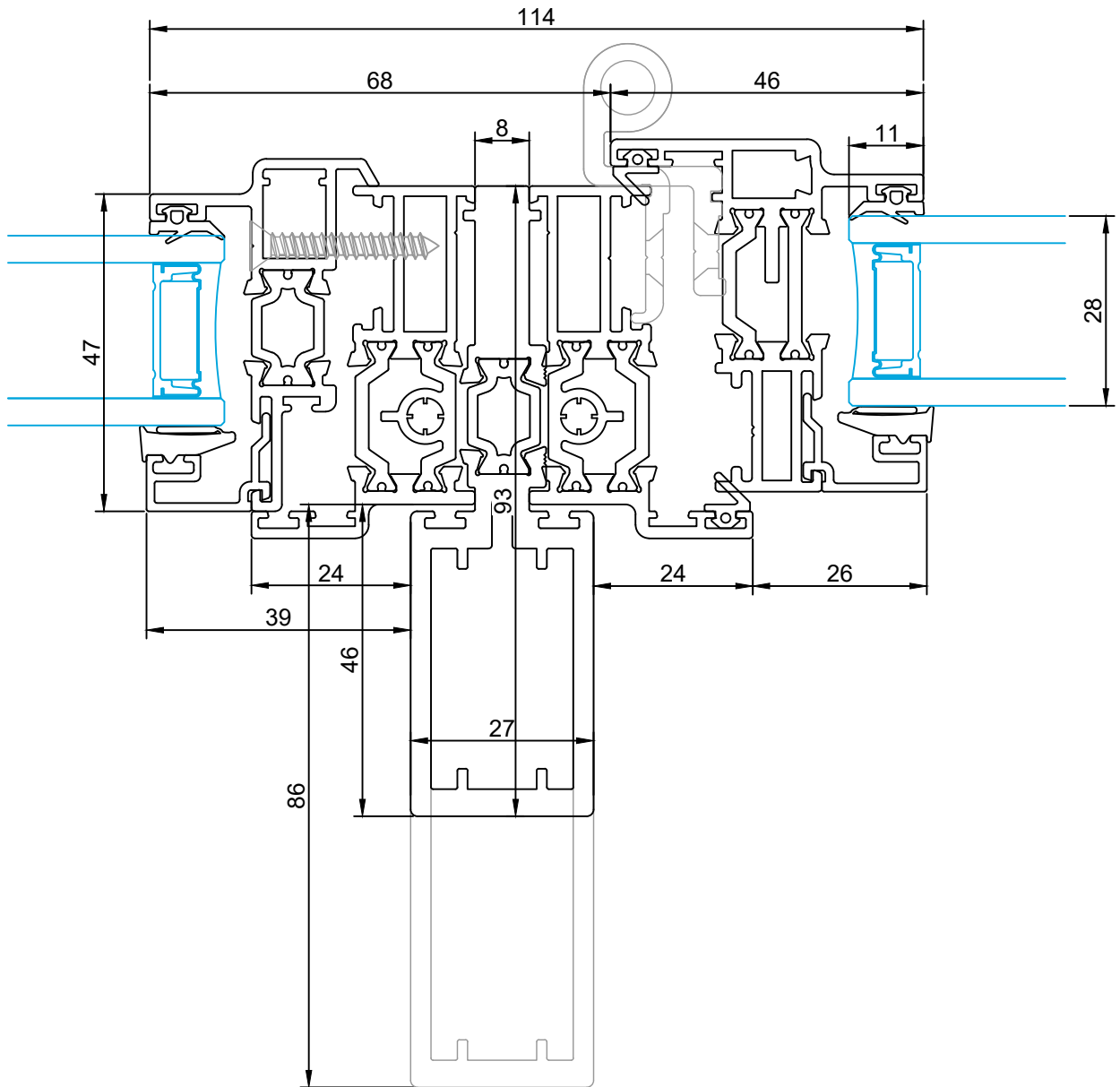
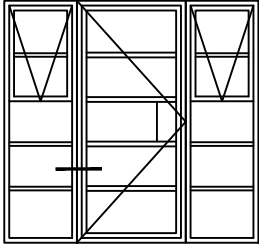
Description: SF20487 Coupling Bar - Inward Opening Door To Fixed Frame With Reversing Profile  
For Size Limitations See Page 61

System: The Heritage Screen

Rev.

Page: 27

A



07  
D

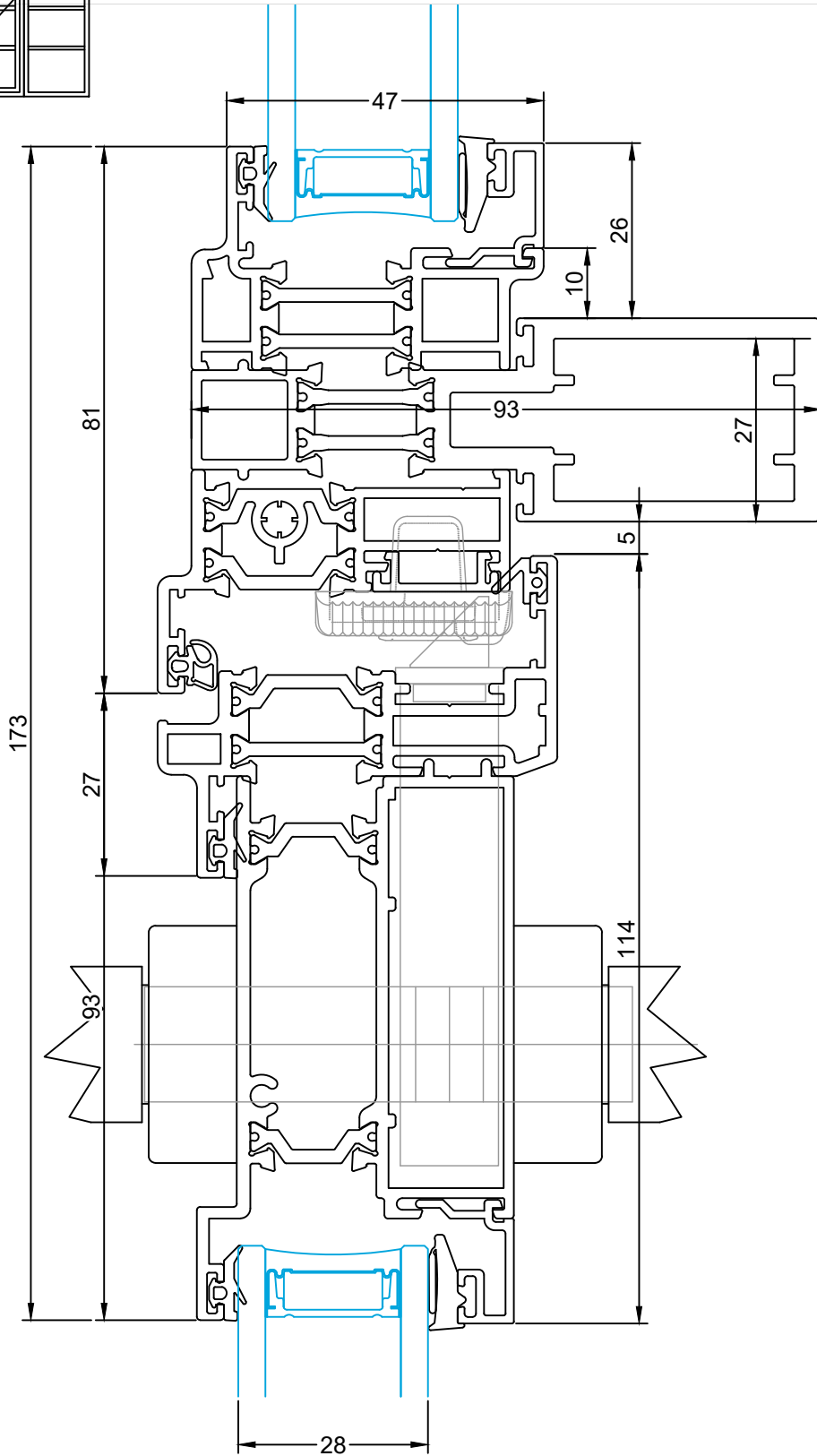
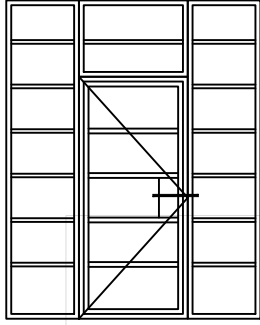
Description: SF20051/20054 Coupling Bars - Outward Opening Door To Fixed Frame With Reversing Profile  
For Size Limitations See Pages 62/63

System: The Heritage Screen

Rev.

Page: 28

A



08  
A

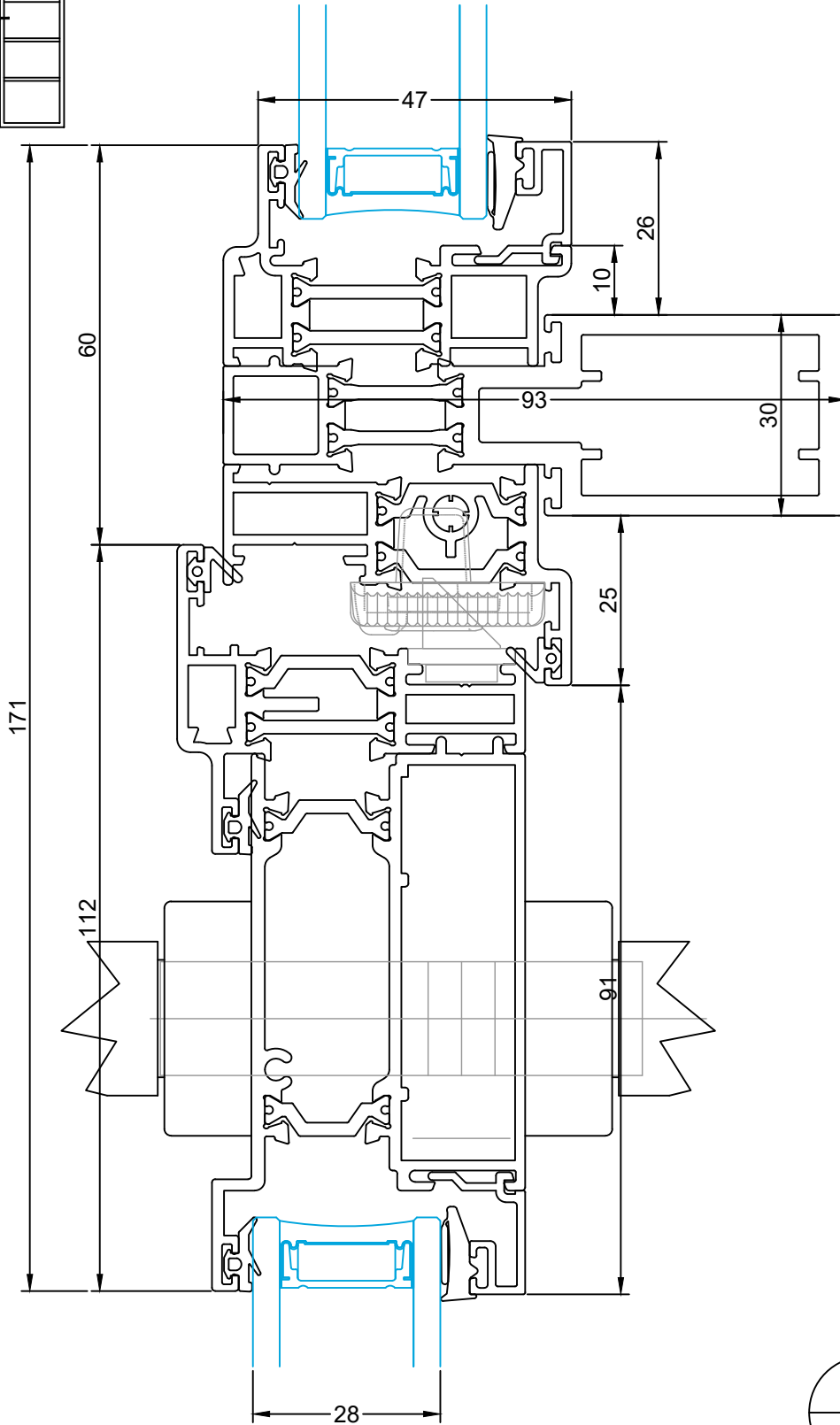
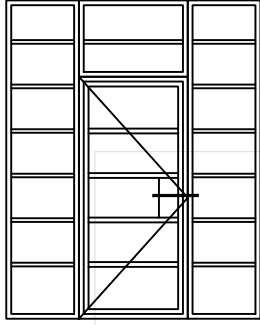
Description: SF20487 Coupling Bar - Inward Opening Door Latch To Fixed Frame No Reversing Profile  
For Size Limitations See Page 61

System: The Heritage Screen

Rev.

Page: 29

A



08  
B

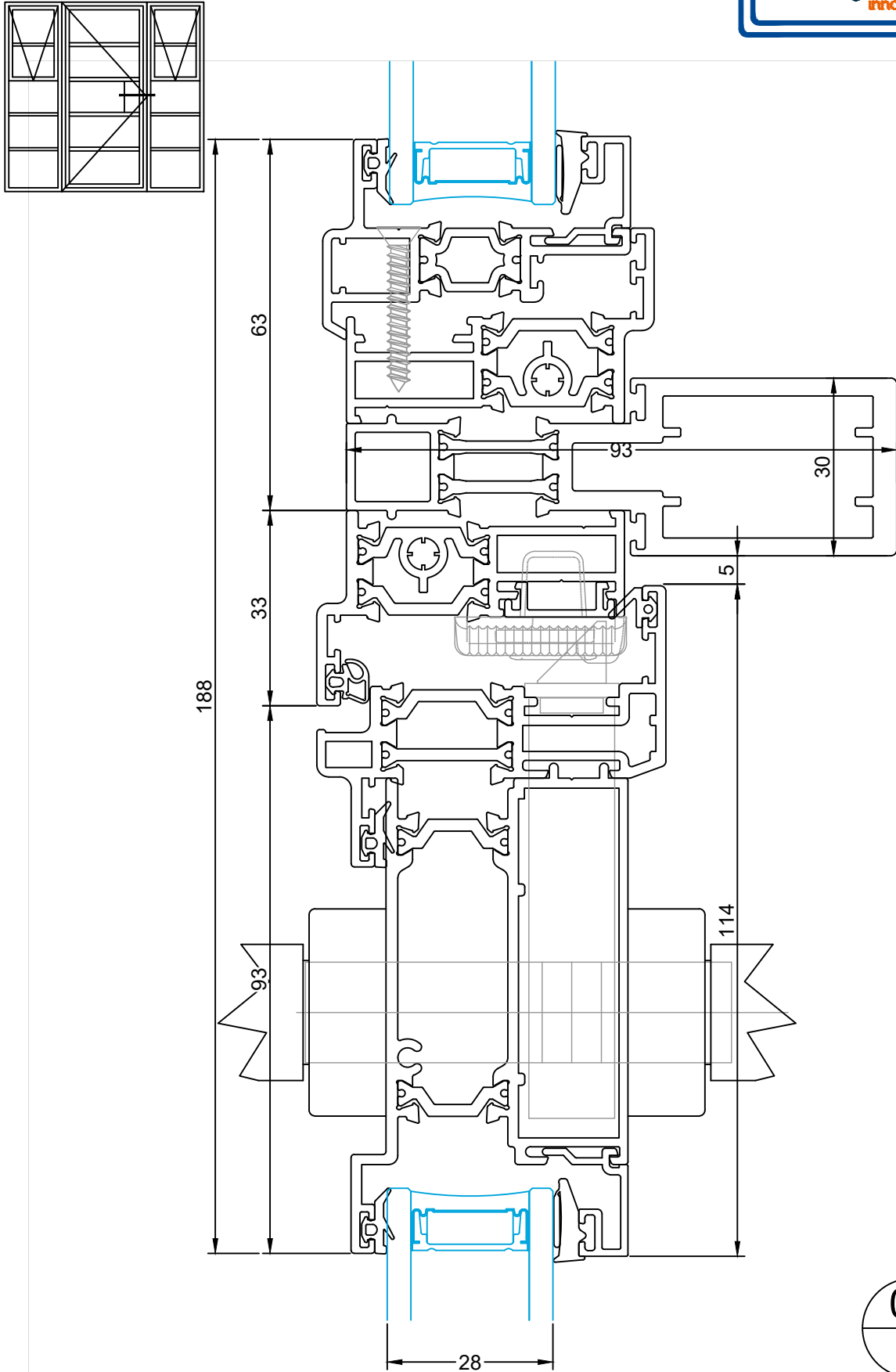
Description: SF20487 Coupling Bar - Outward Opening Door Latch To Fixed Frame No Reversing Profile  
For Size Limitations See Page 61

System: The Heritage Screen

Rev.

Page: 30

A



08  
C

Description: SF20487 Coupling Bar - Inward Opening Door Latch To Fixed Frame With Reversing Profile  
For Size Limitations See Page 61

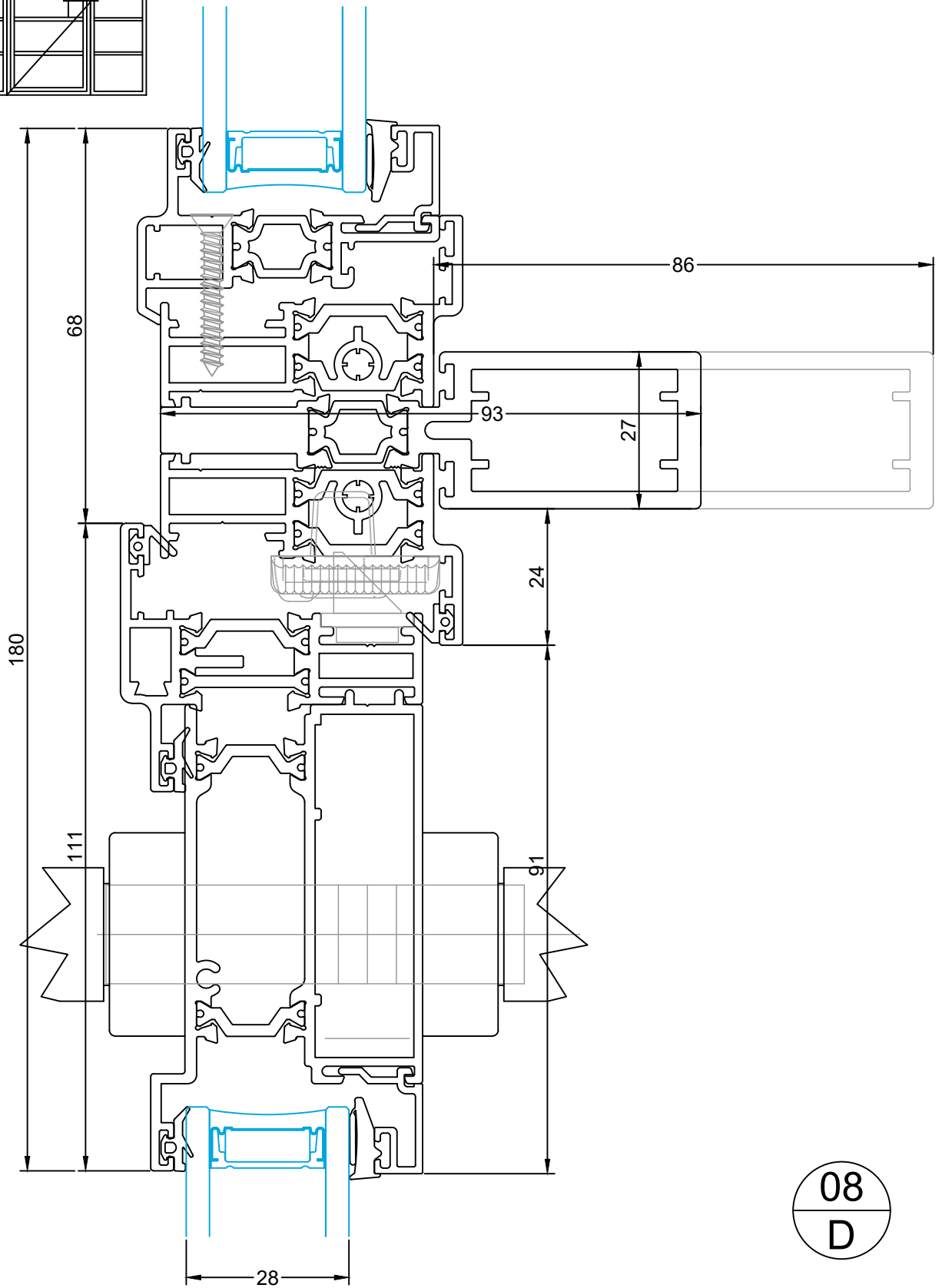
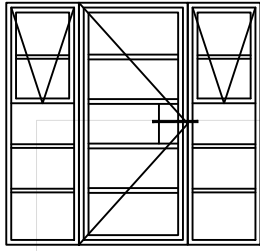
System: The Heritage Screen

Rev.

Page: 31

A





08  
D

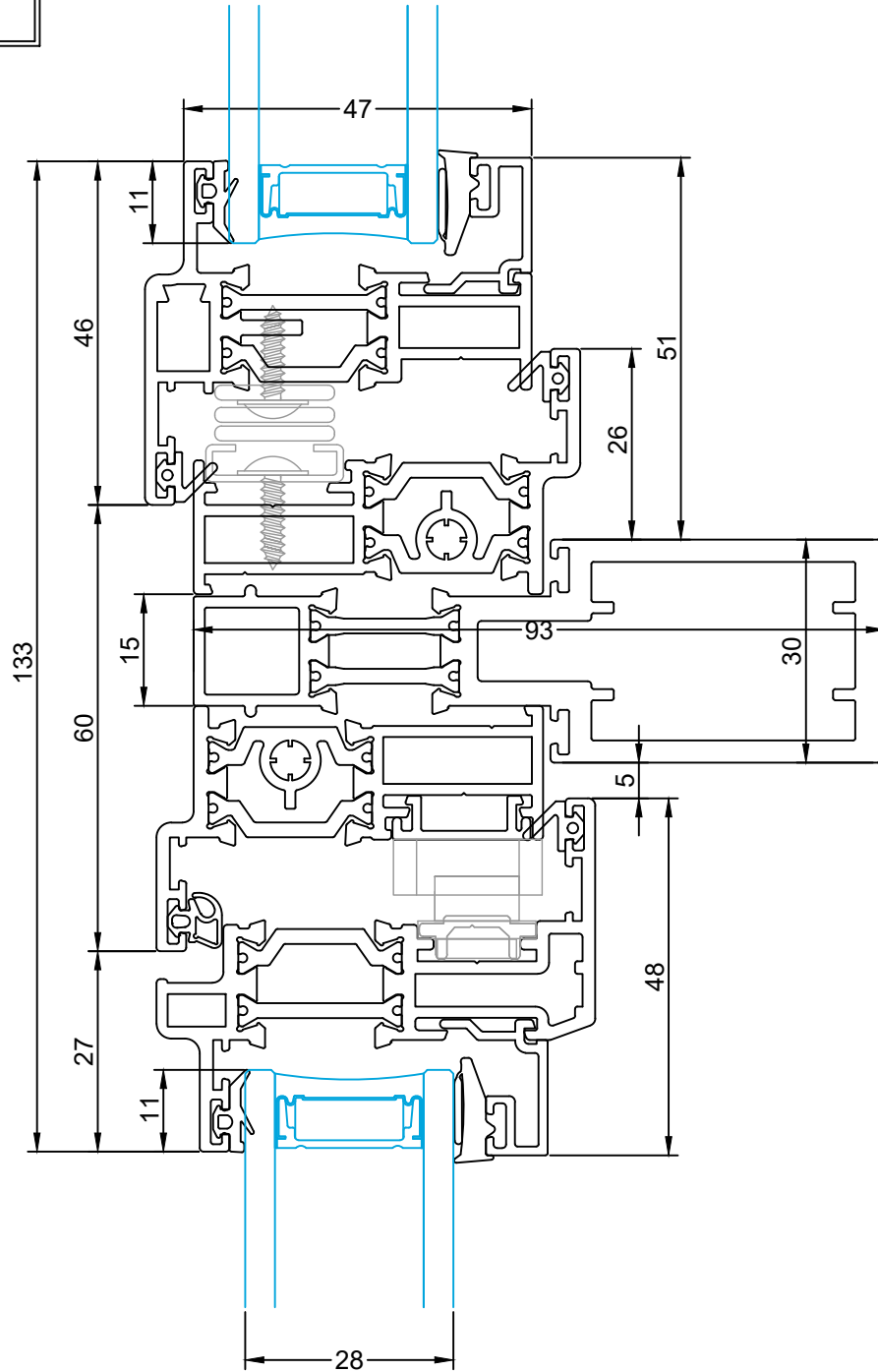
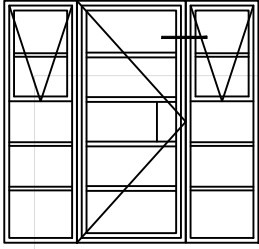
Description: SF20051/20054 Coupling Bars - Outward Opening Door Latch To Fixed Frame With Reversing Profile  
For Size Limitations See Pages 62/63

System: The Heritage Screen

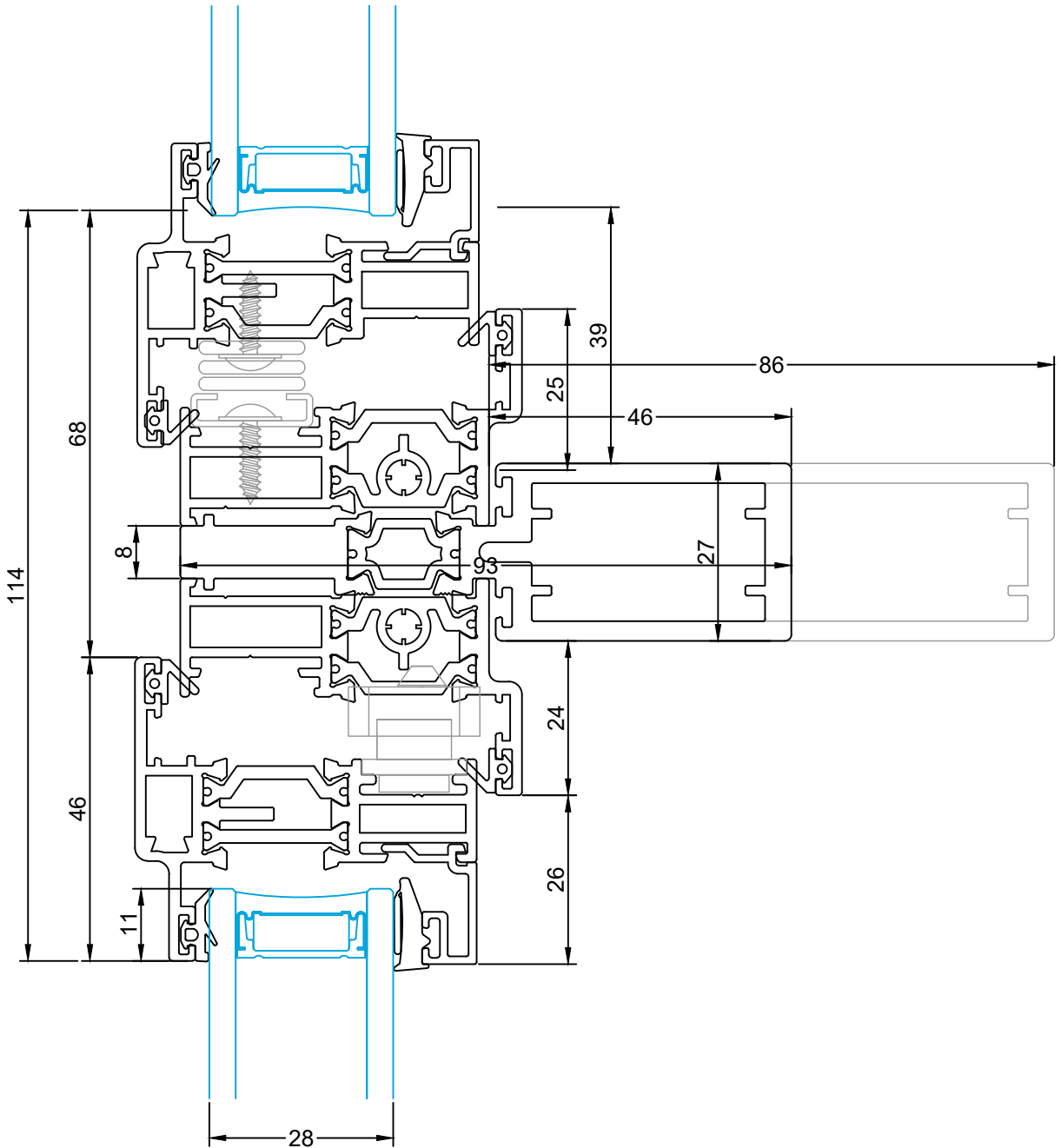
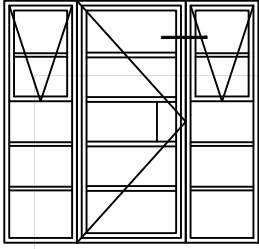
Rev.

Page: 32

A



09  
A



09  
B

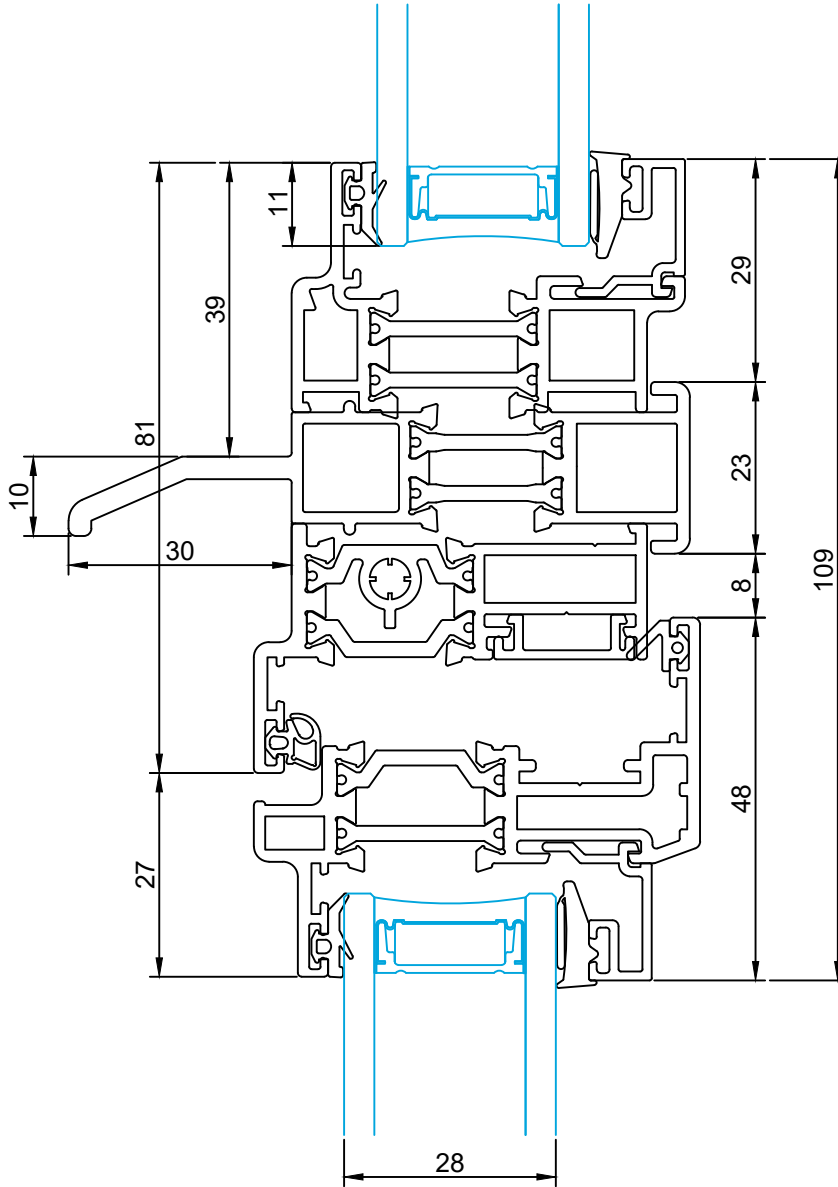
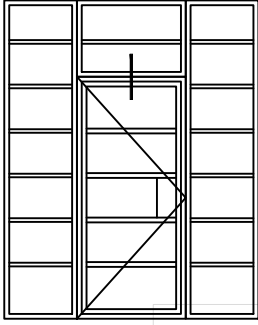
Description: SF20051/20054 Coupling Bar - Outward Opening Door To Opening Sash  
For Size Limitations See Pages 62/63

System: The Heritage Screen

Rev.

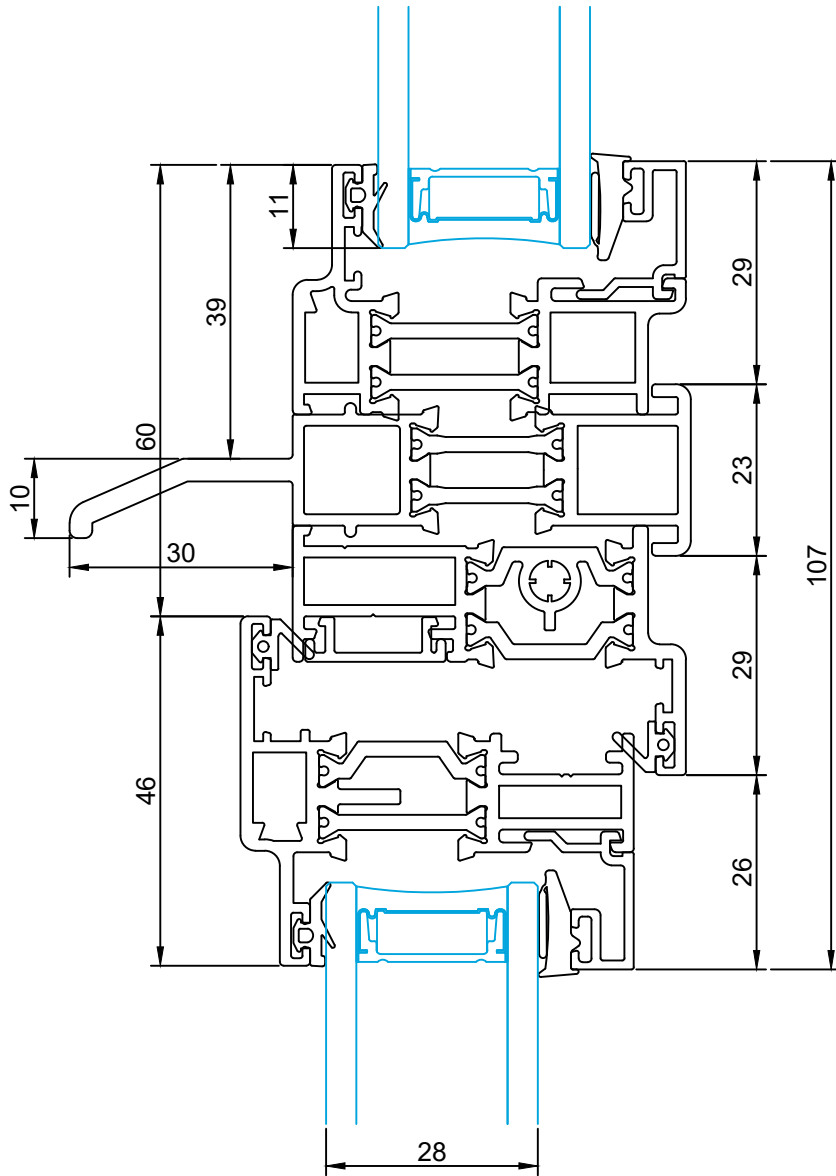
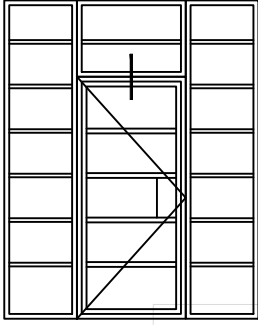
Page: 34

A



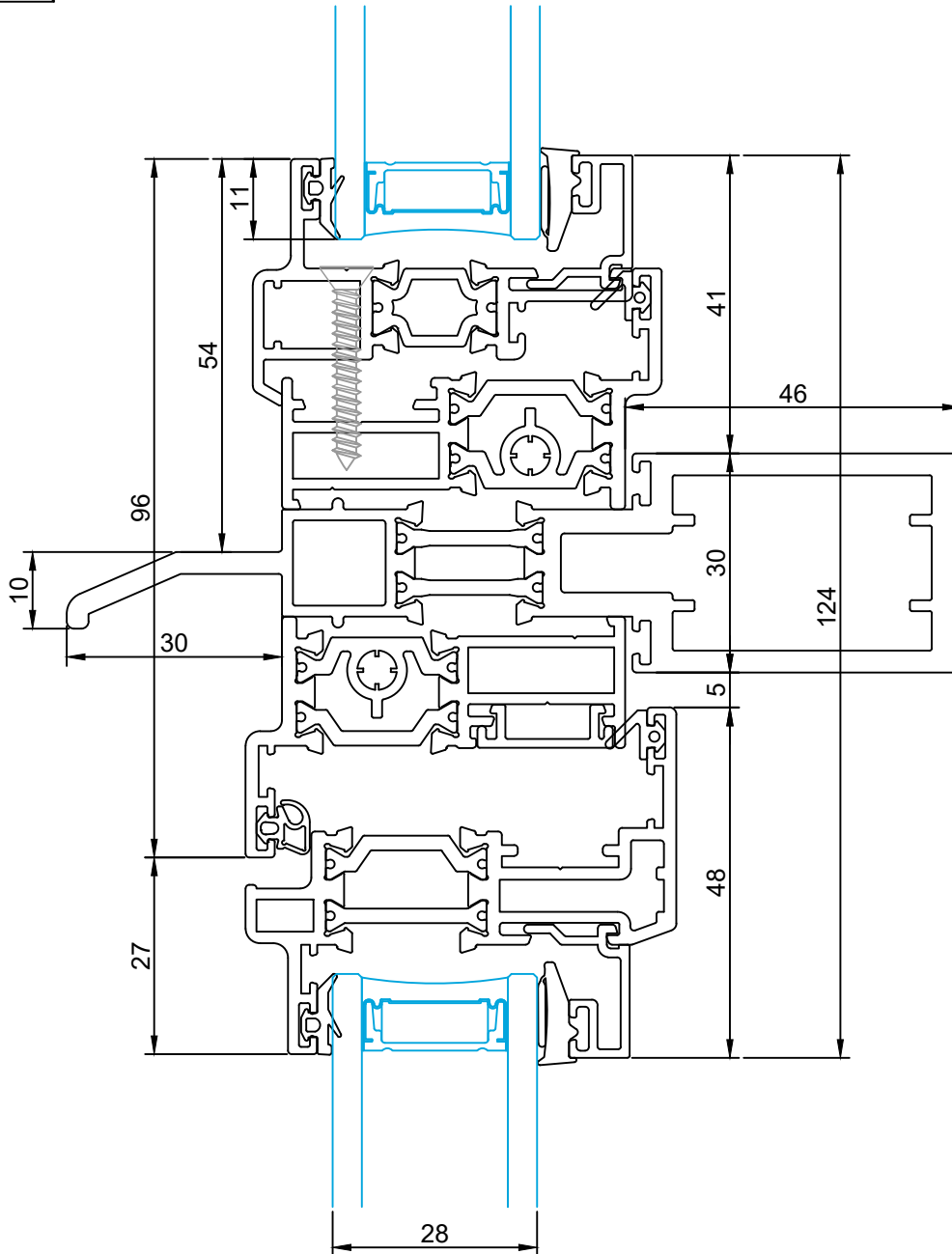
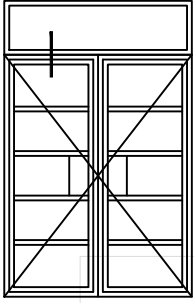
NOTE:  
Coupler Suitable For Single Doors Only  
Dependant On Site Wind Loads. Check  
With IDS Technical Team For Limitations

10  
A

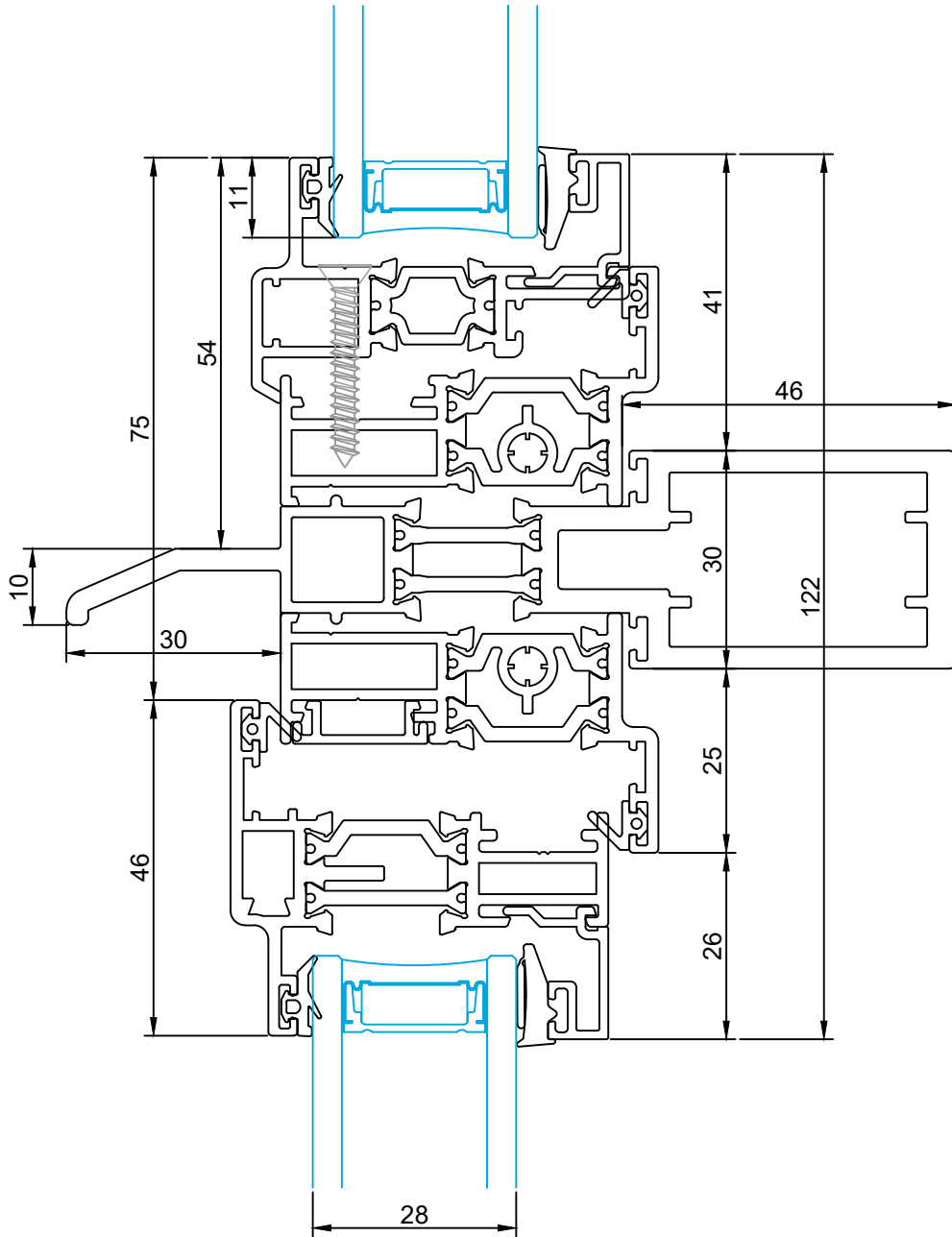
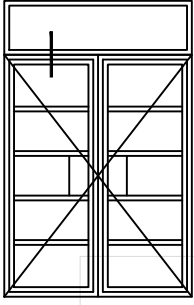


NOTE:  
Coupler Suitable For Single Doors Only  
Dependant On Site Wind Loads. Check  
With IDS Technical Team For Limitations

10  
B



10  
C



10  
D

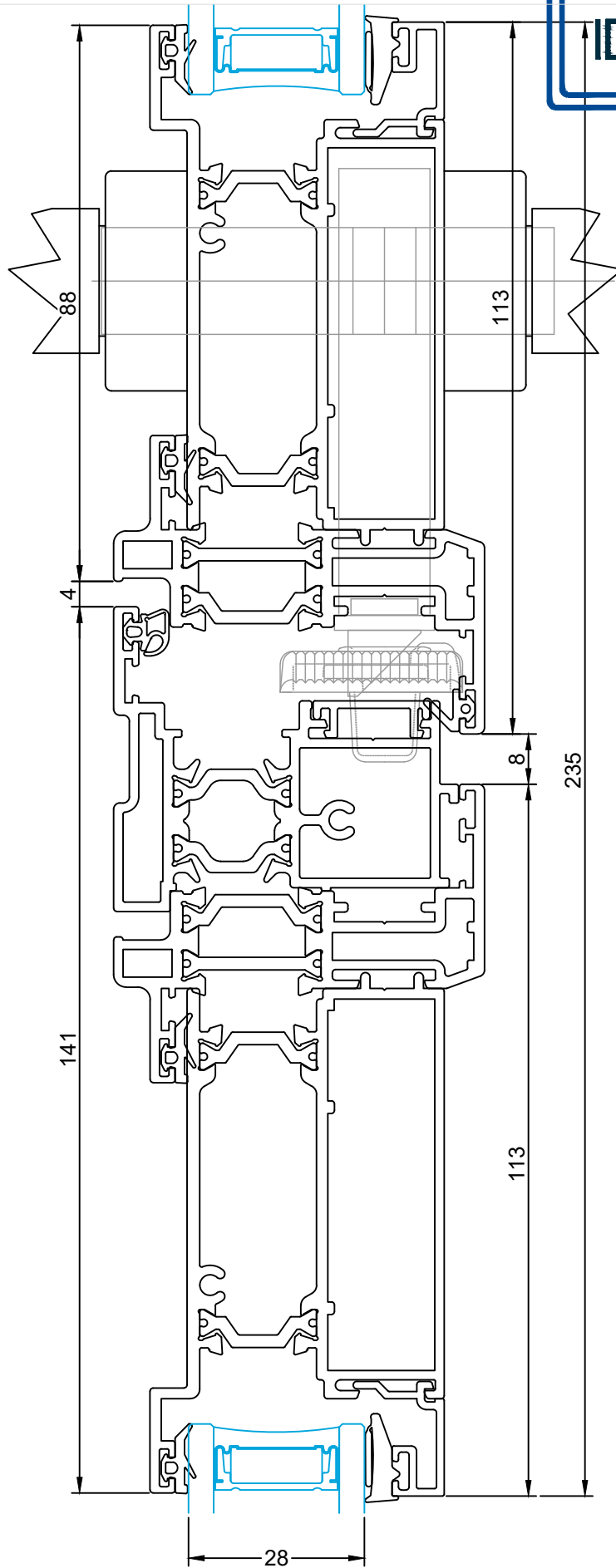
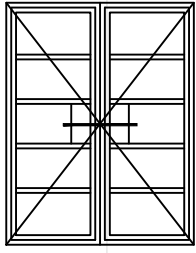
Description: Heavy Duty Coupling Bar - Outward Opening Door To Fixed Frame Overlight - With Reversing Profile

System: The Heritage Screen

Rev.

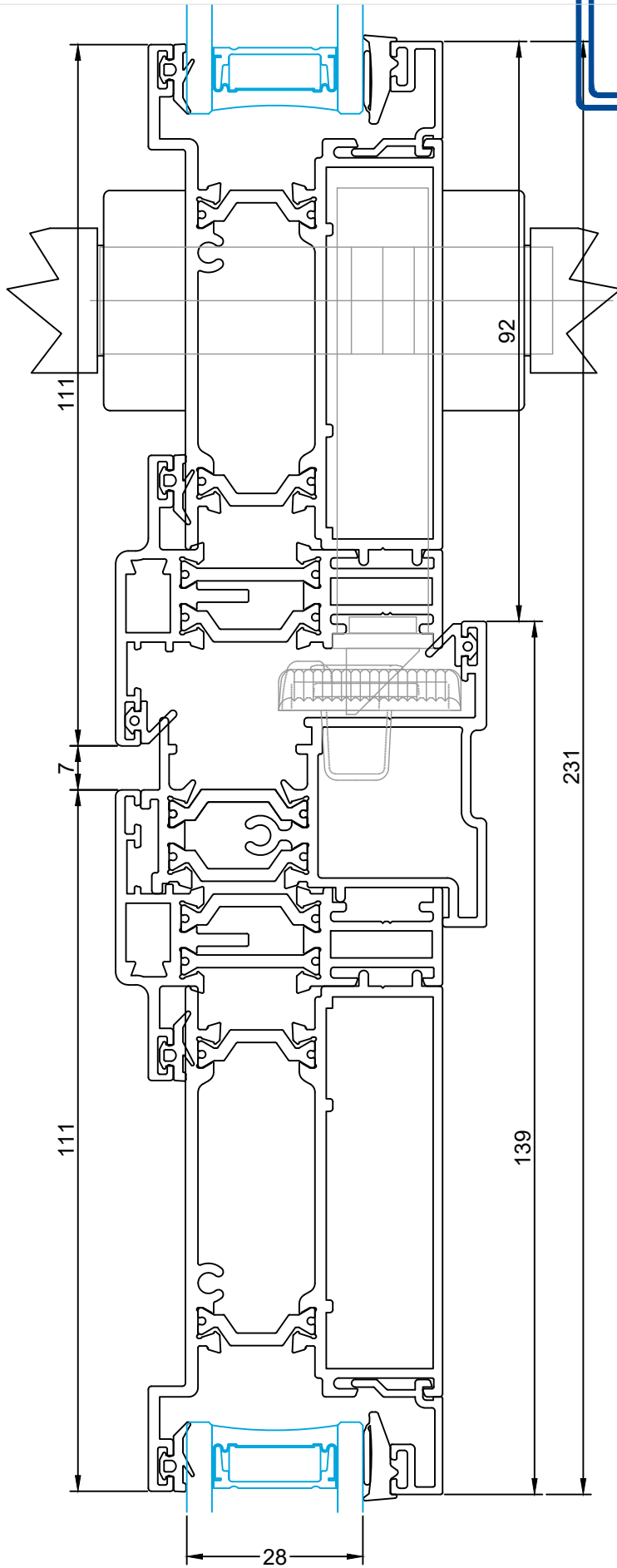
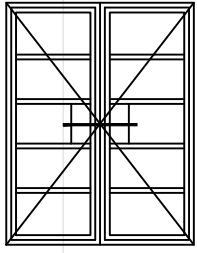
Page: 38

A

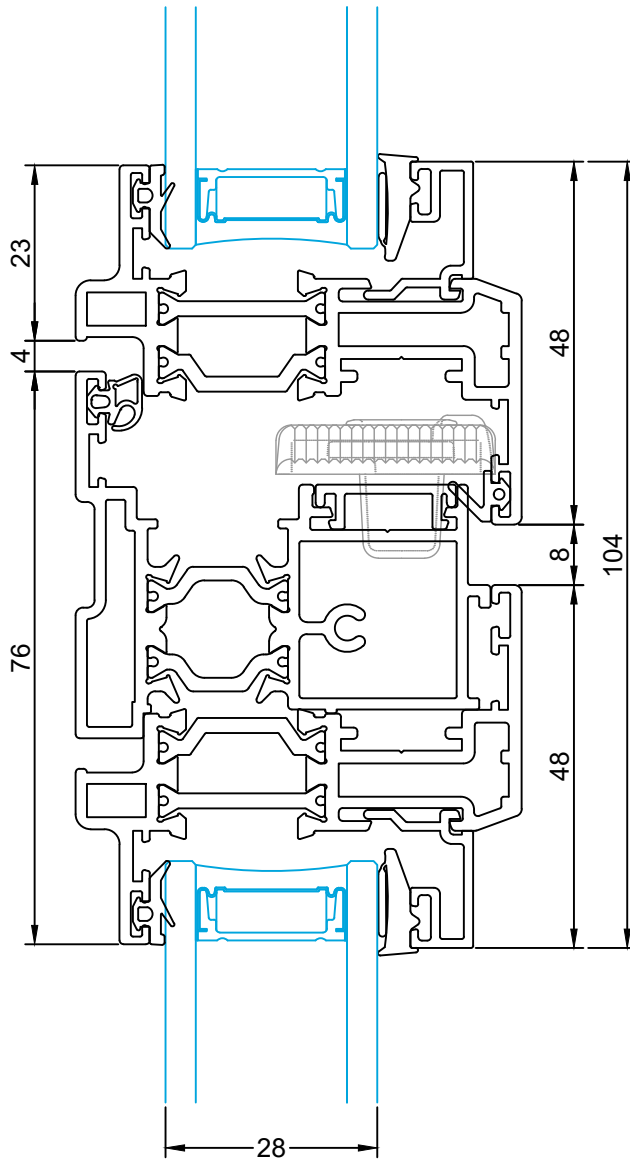
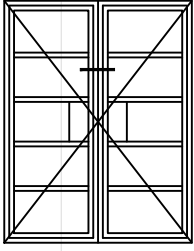


11  
A

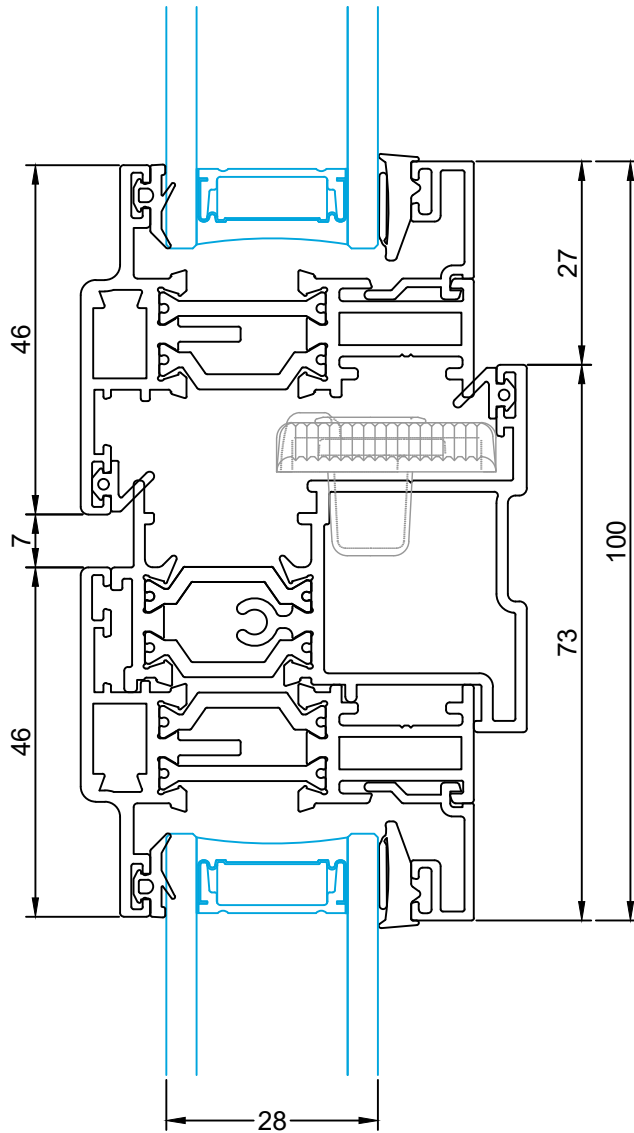
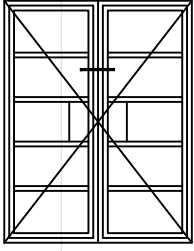




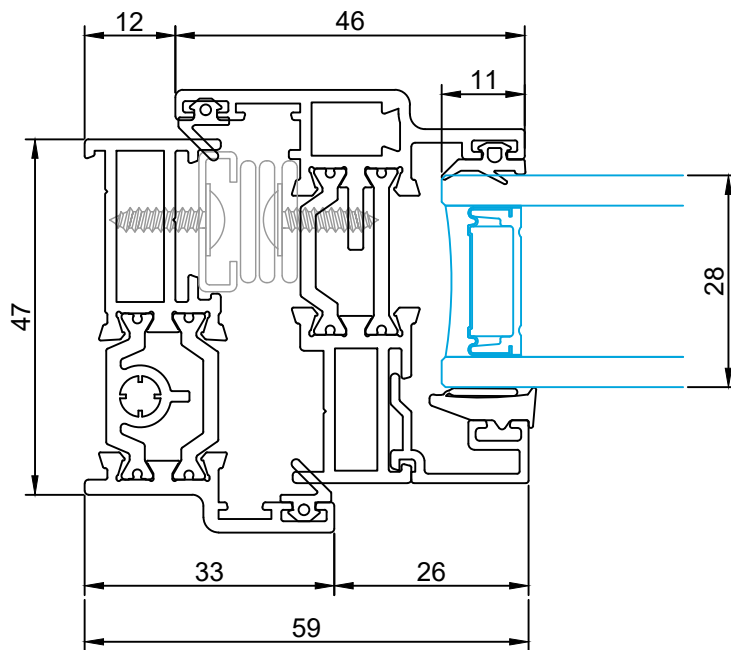
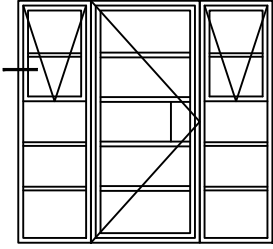
11  
B



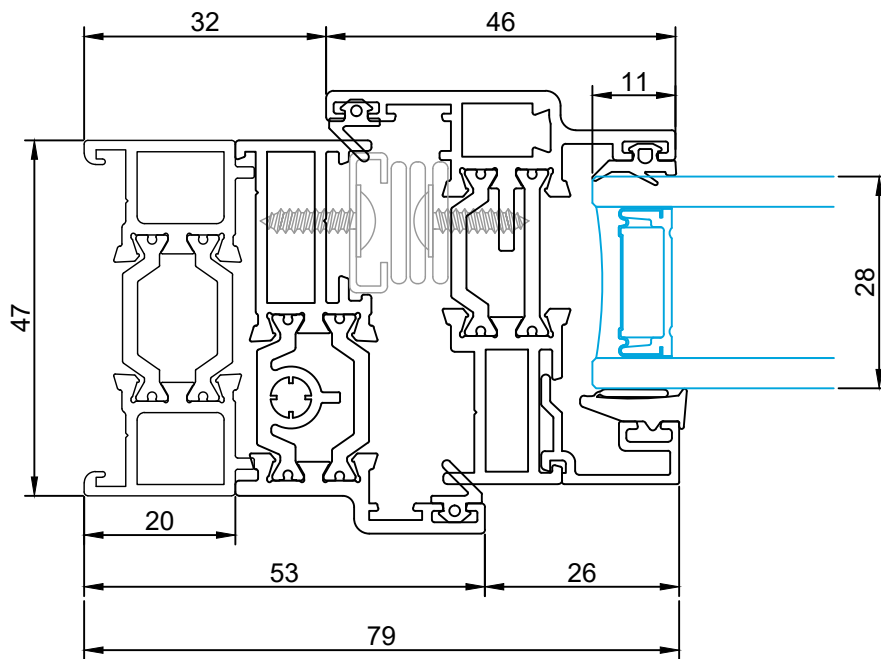
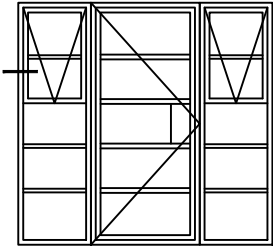
12  
A



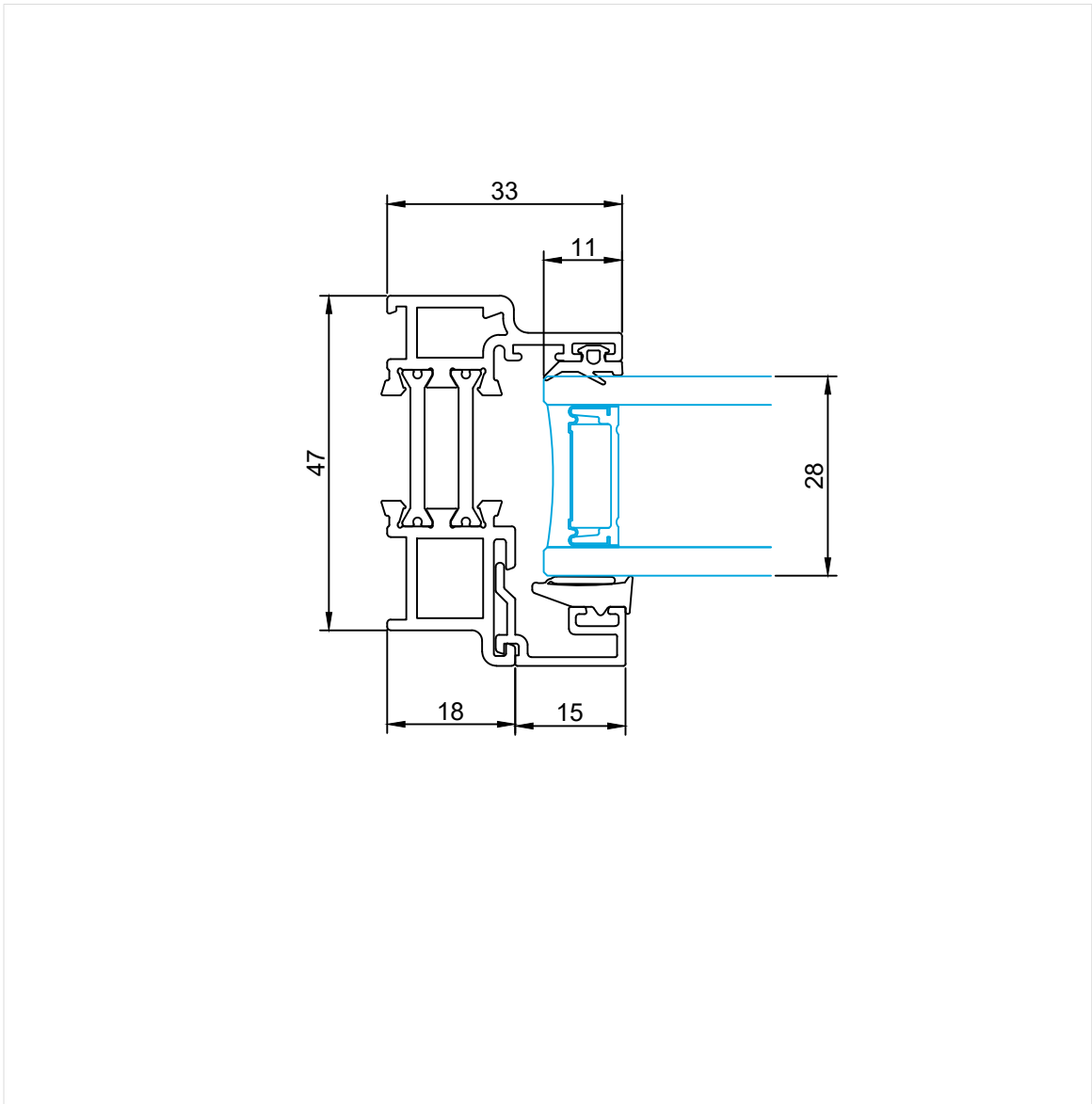
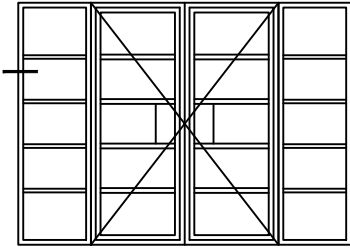
12  
B



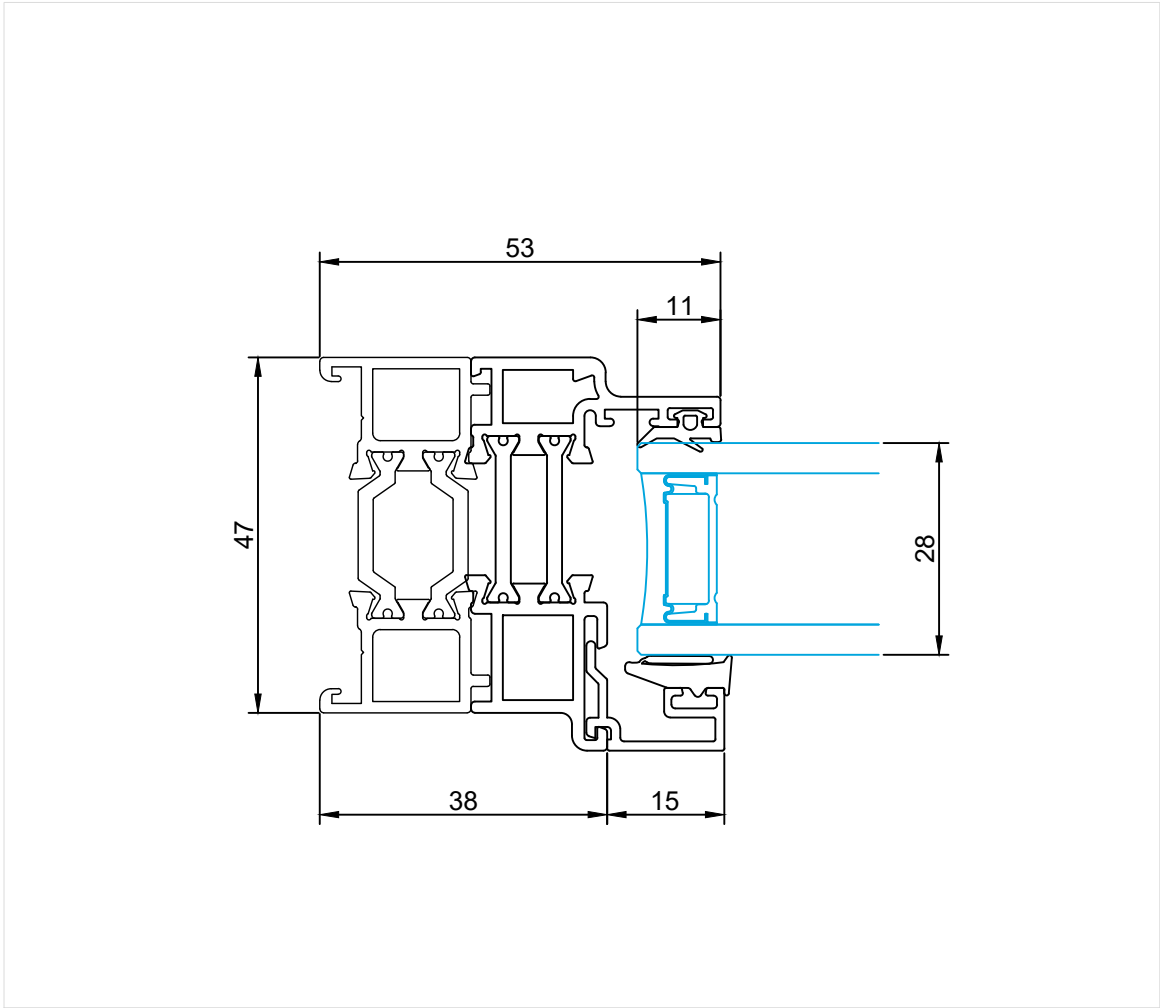
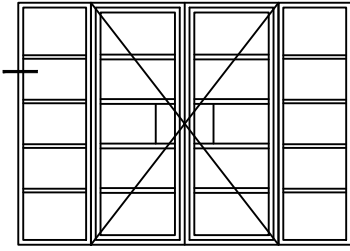
13  
A



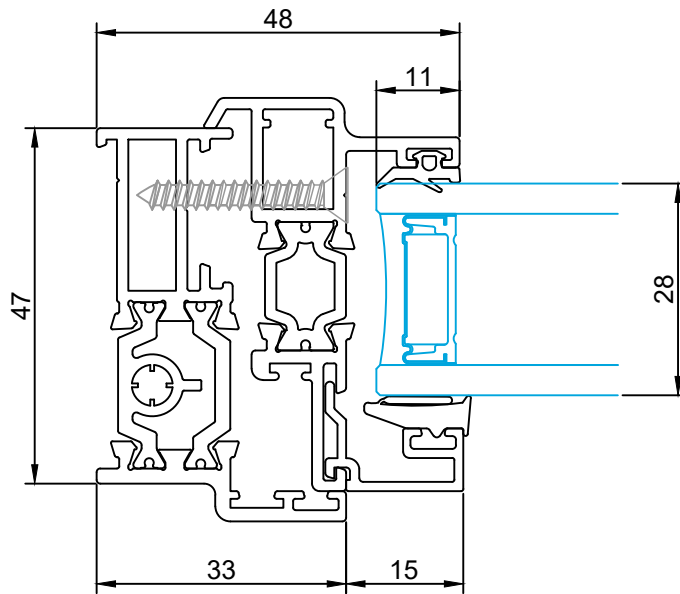
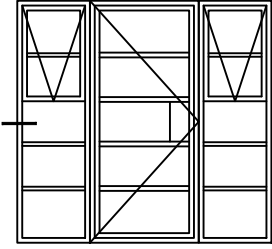
13  
B



14  
 A

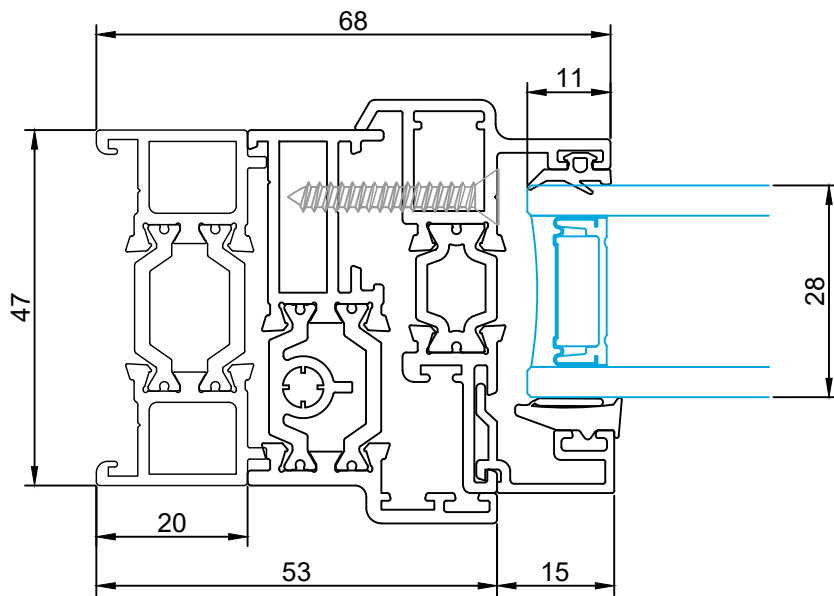
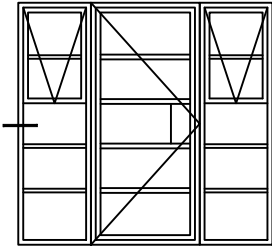


14  
 B

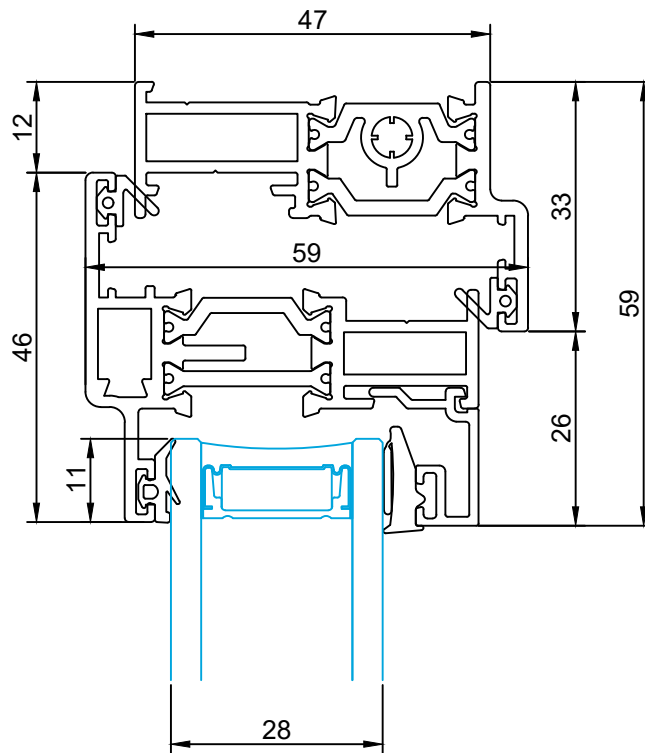
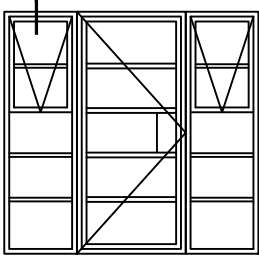


14  
C

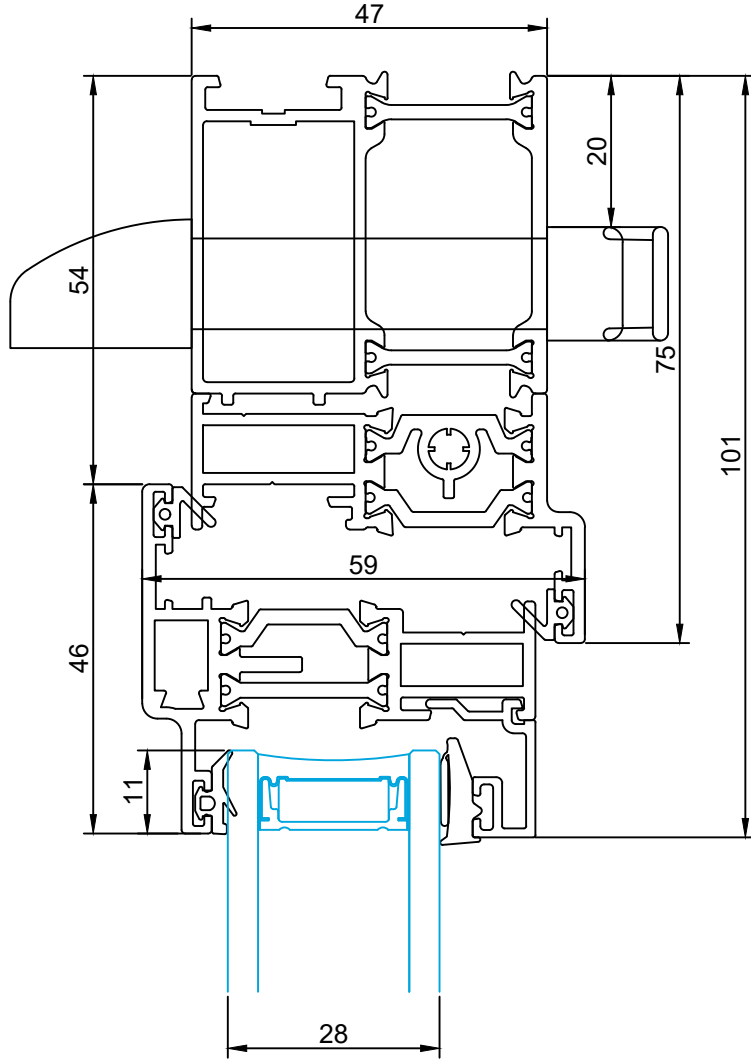
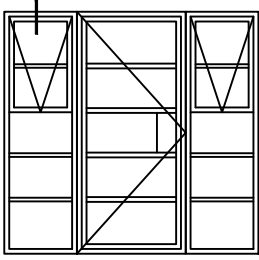




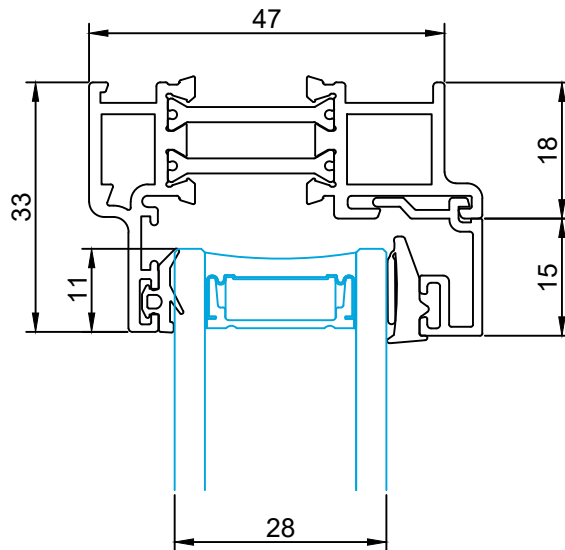
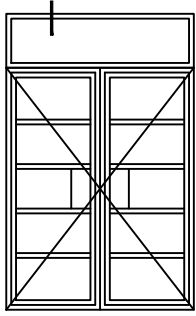
14  
D



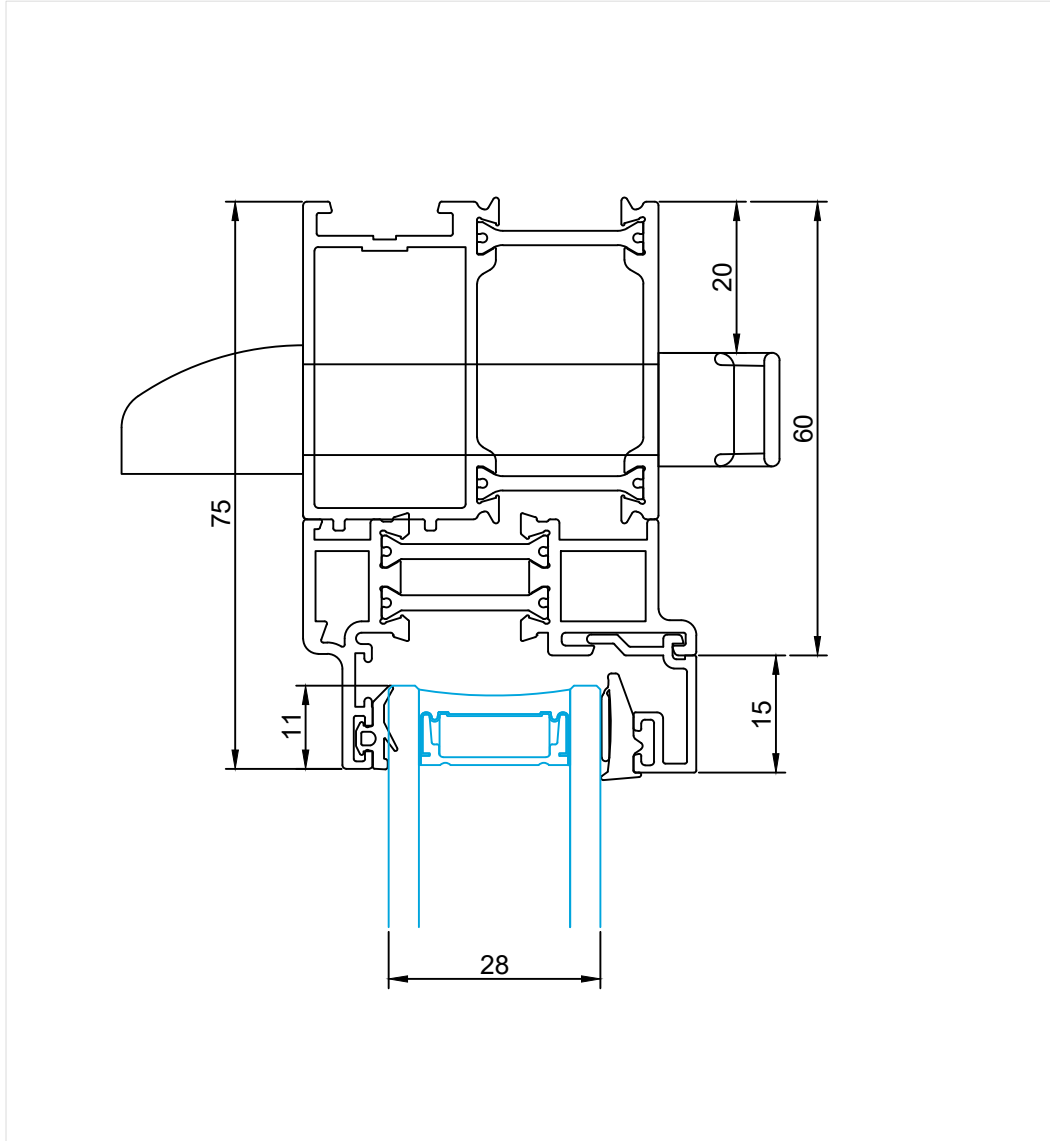
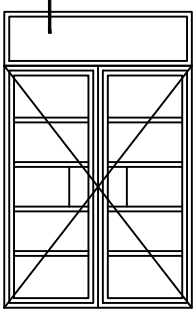
15  
 A



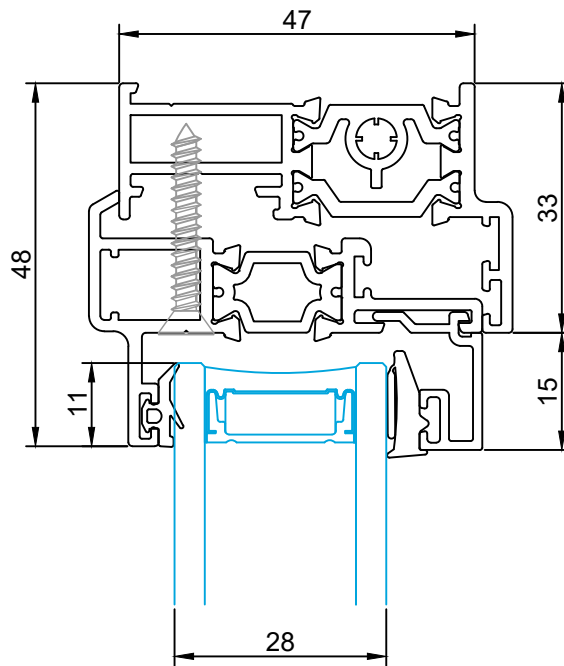
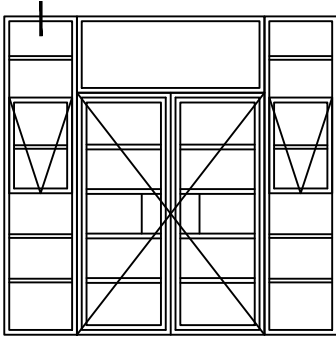
15  
B



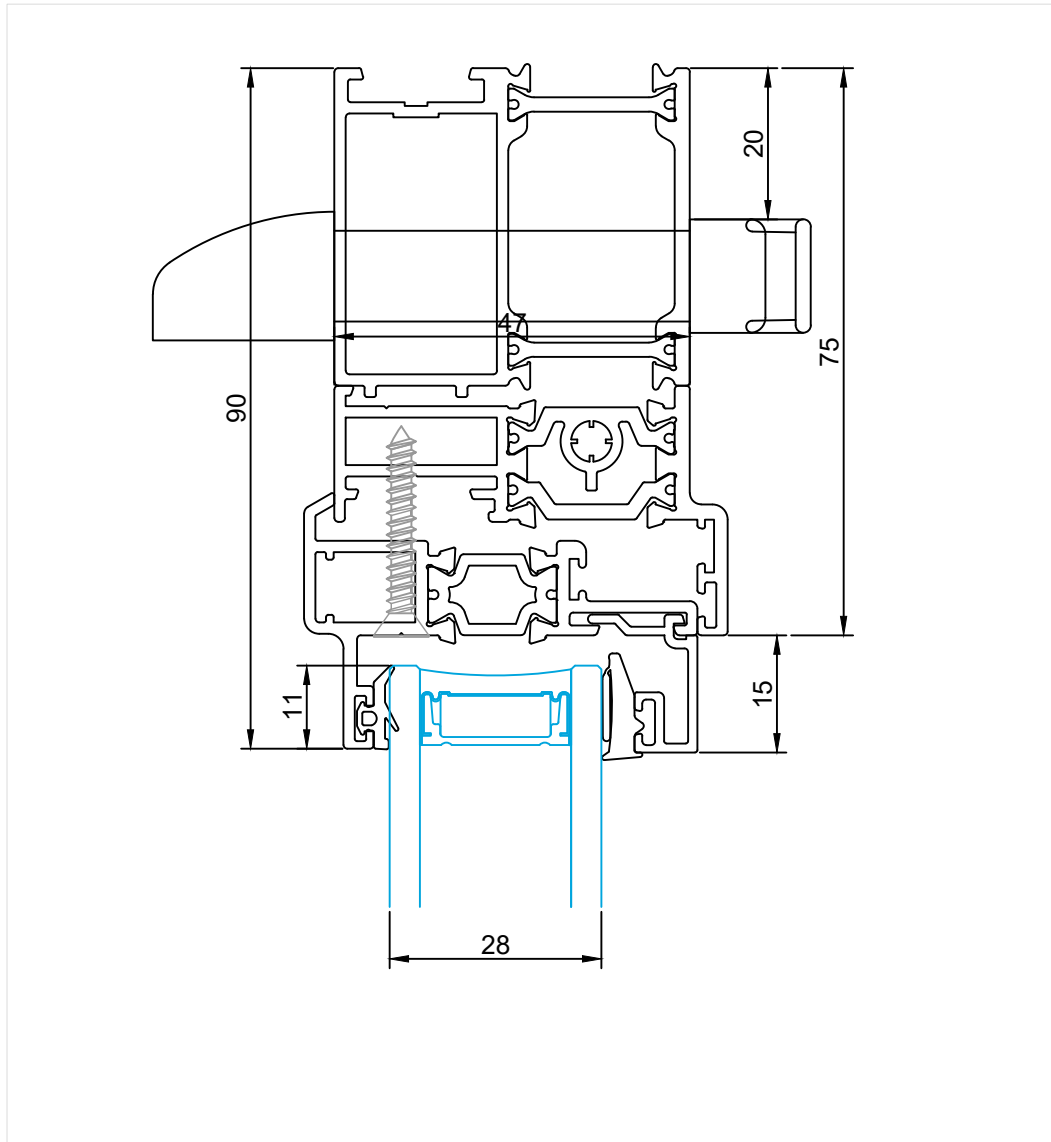
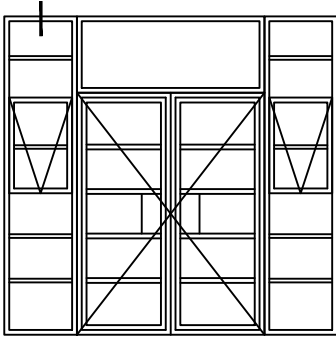
16  
A



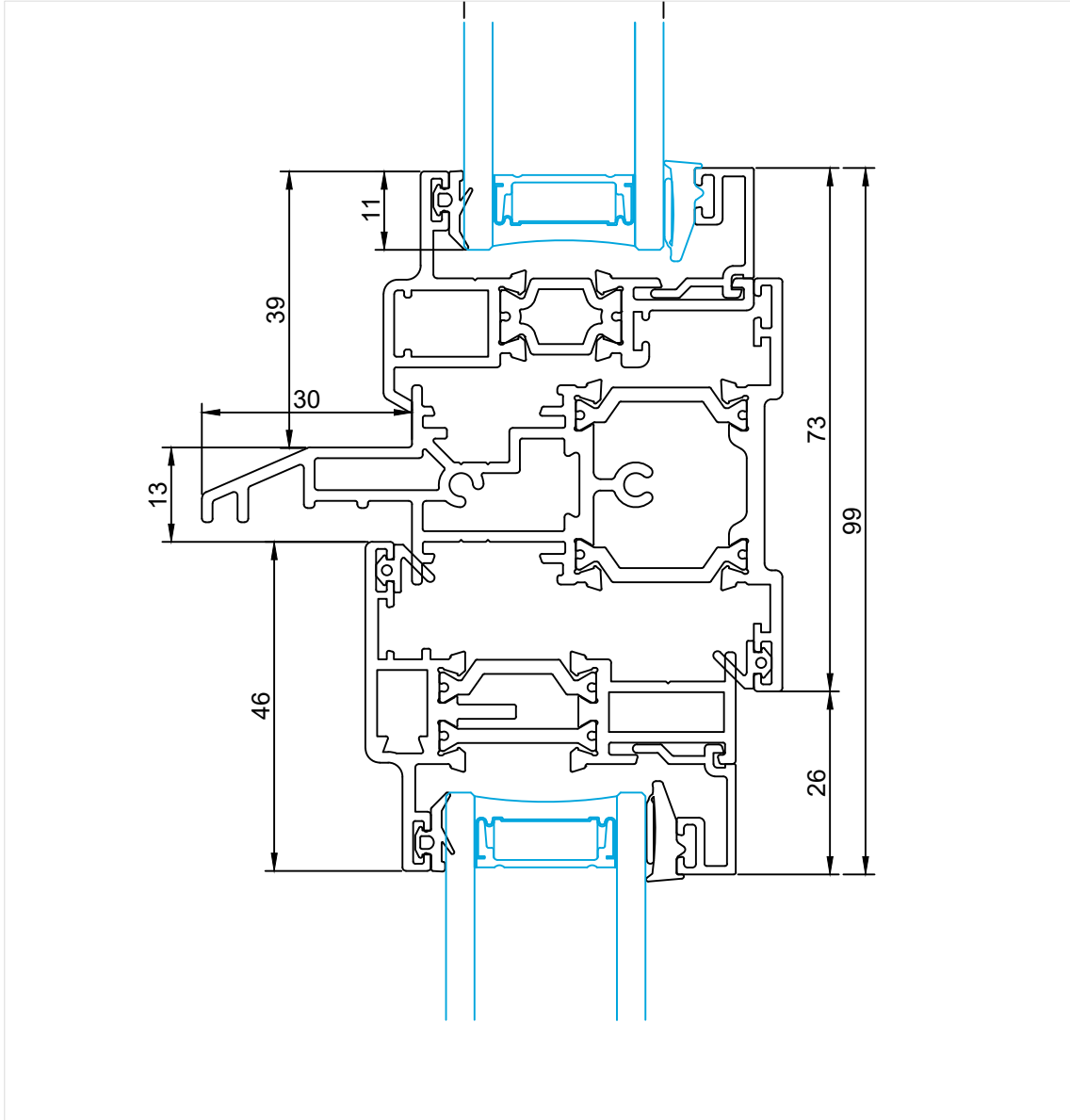
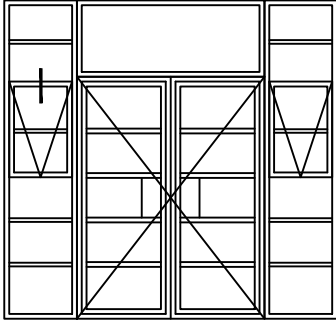
16  
B



16  
C

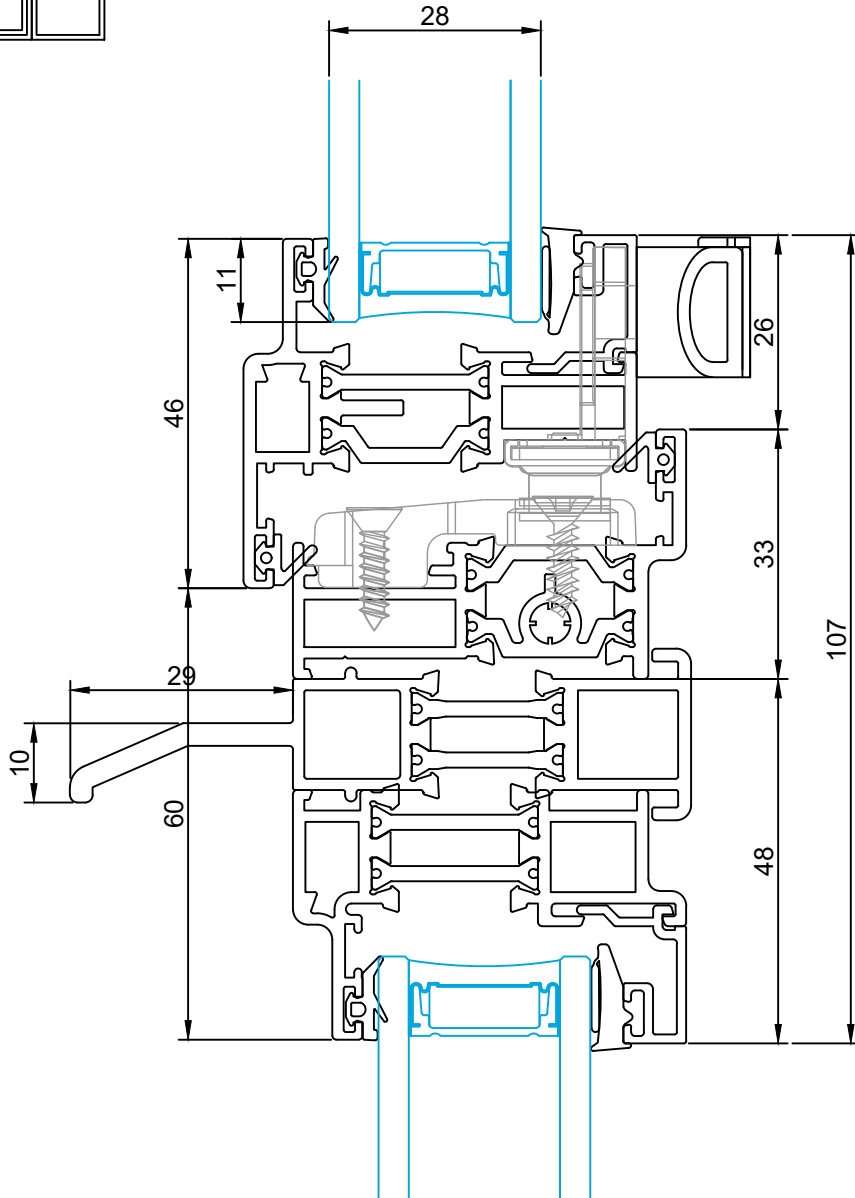
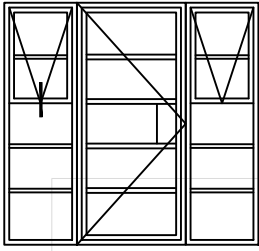


16  
D

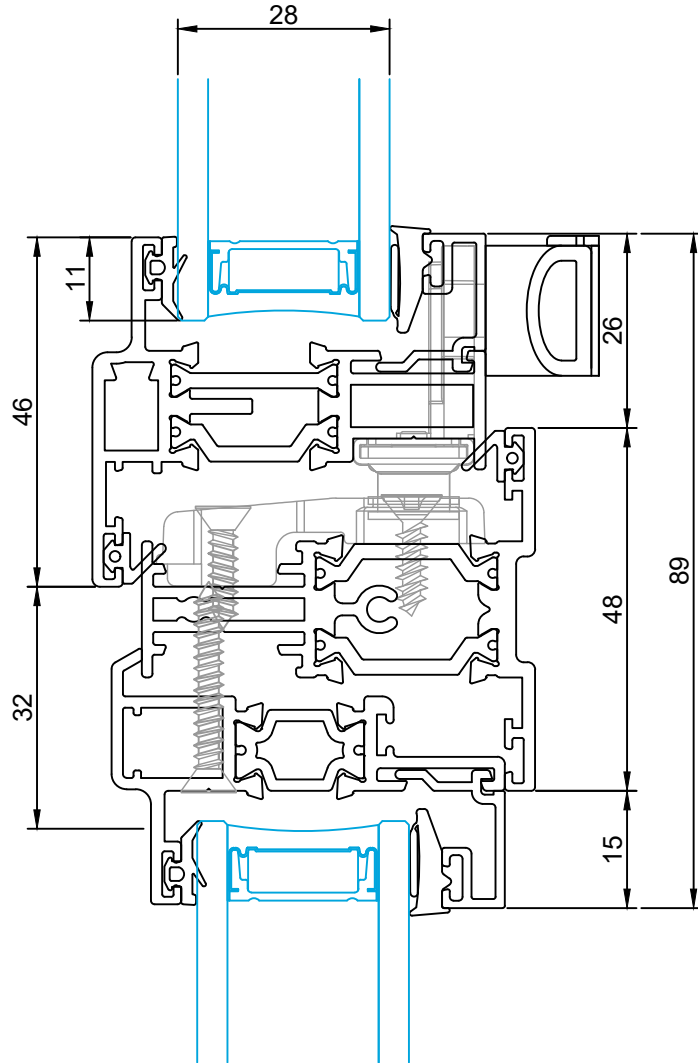
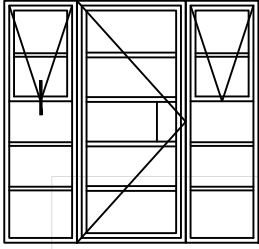


17  
A

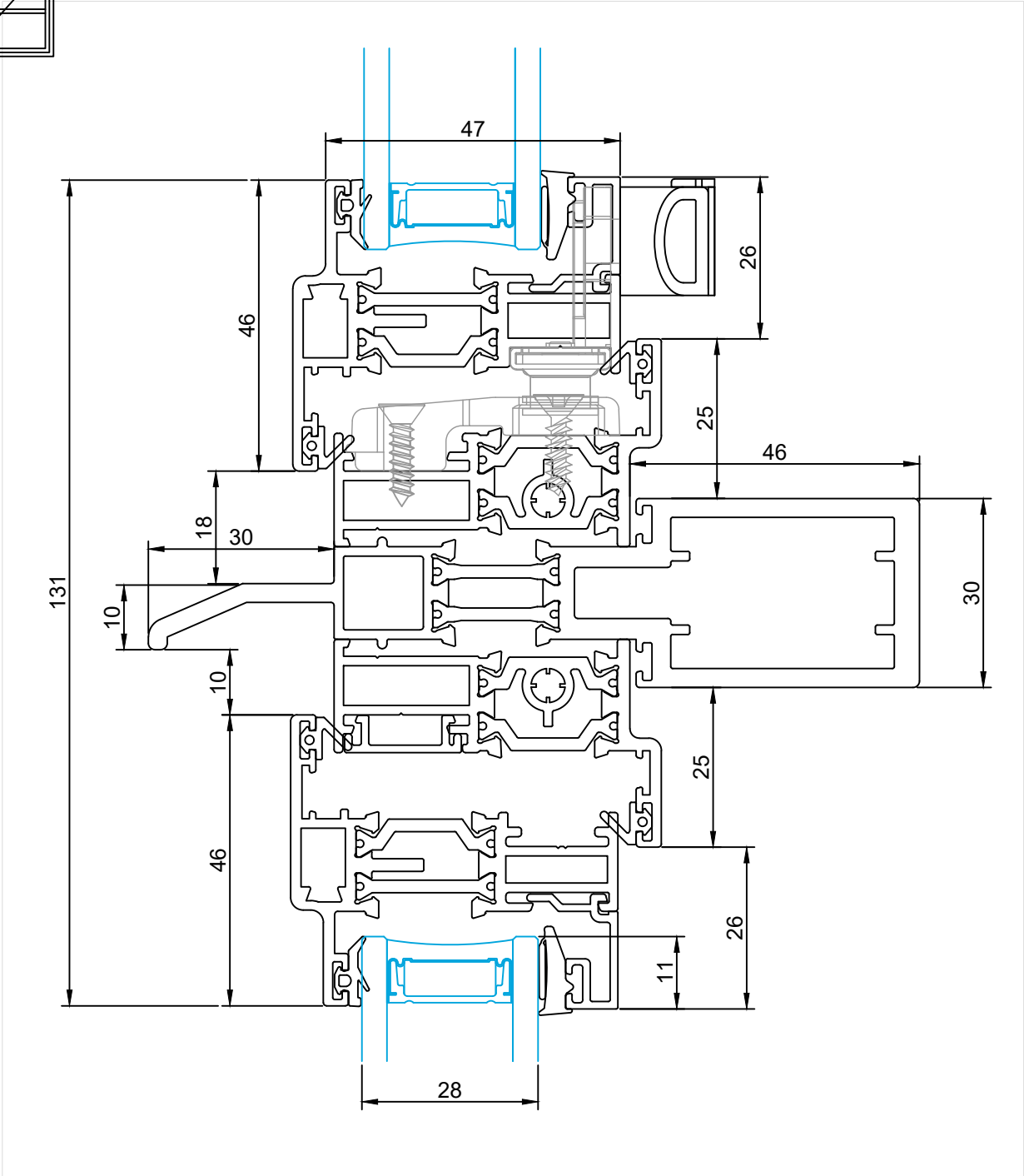
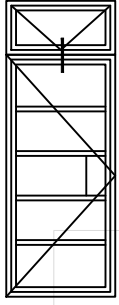




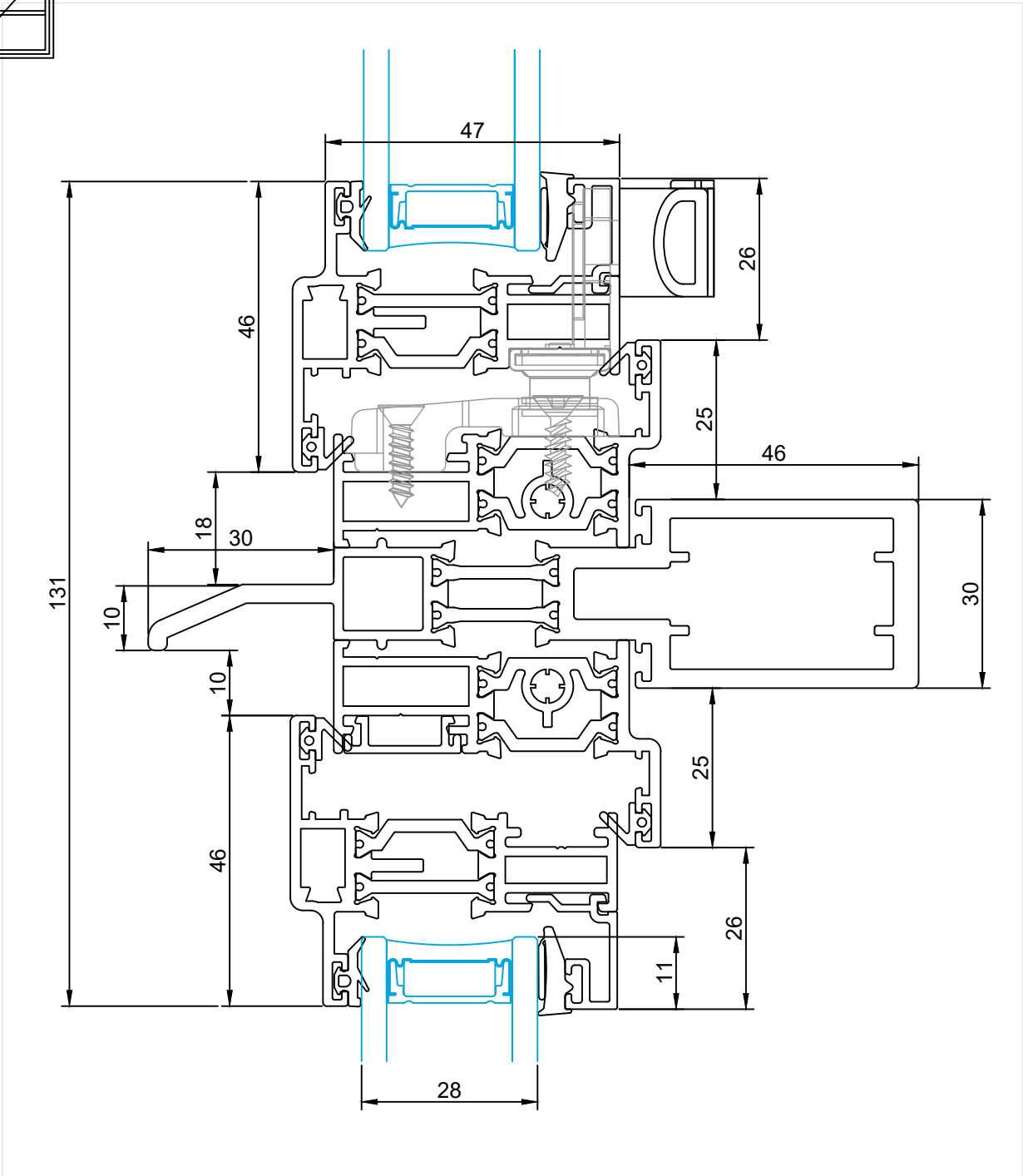
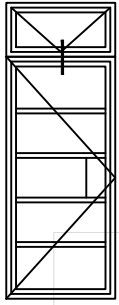
18  
A



18  
B



19  
A



19  
B

### RECOMMENDED DESIGN LIMITATIONS

CASEMENT VENTS	Maximum Width	Minimum Width	Maximum Height	Minimum Height	Maximum Weight (kg)
SIDE HUNG	600	385	1400	500	28
TOP HUNG	1400	500	1400	300	40
EGRESS VENTS	Minimum Width 1 (a)	Minimum Height 1 (a*)	Minimum Width 2 (b*)	Minimum Height 2 (b)	Maximum Weight (kg)
SIDE HUNG	600	830	NA	NA	40
TOP HUNG	545	1055	830	770	40
DOORS	Maximum Width	Minimum Width	Maximum Height	Minimum Height	Maximum Weight (kg)
SINGLE DOOR	950	650	2200	1000	60
FRENCH DOOR	1850	1250	2200	1000	60 (Leaf)

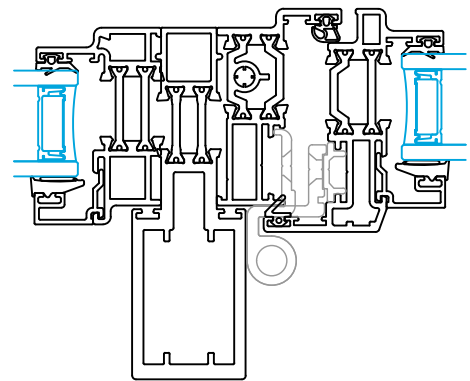
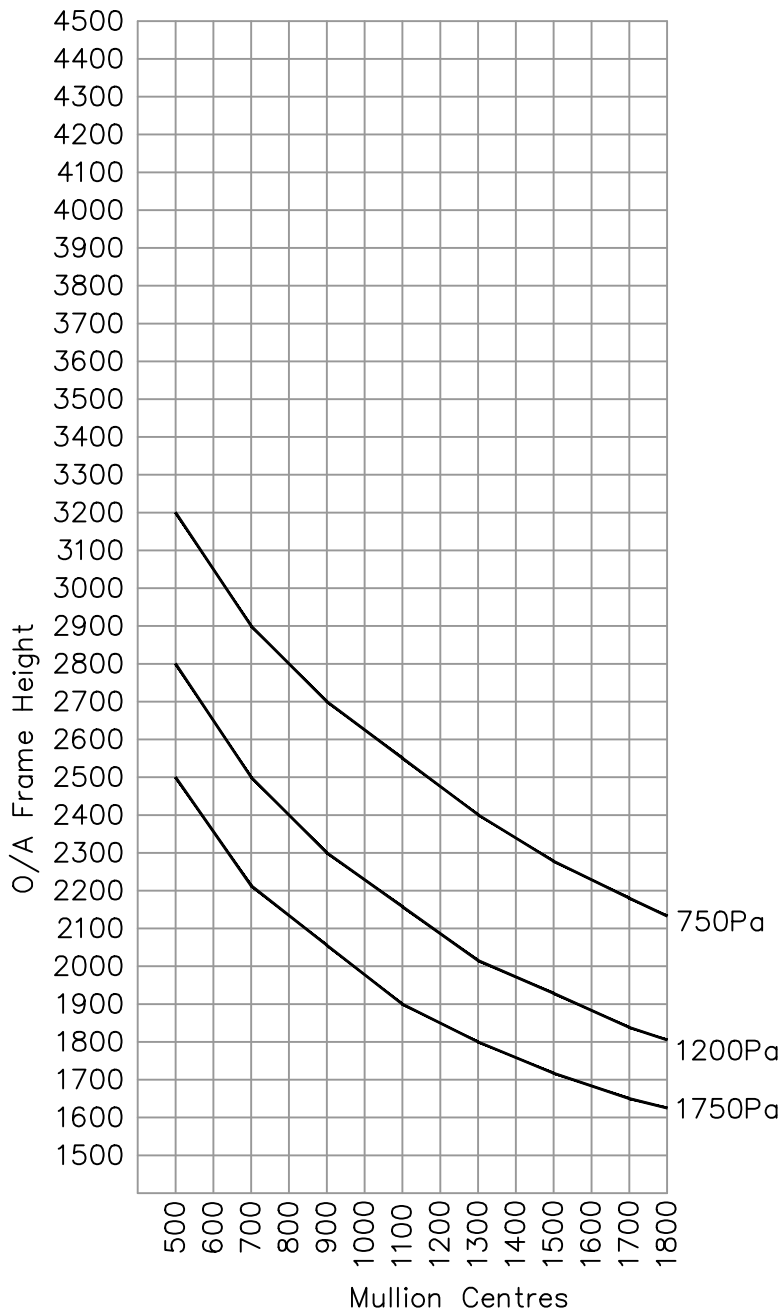
**NOTES:**

Egress windows must comply with Approved document B. Minimum clear opening must be 450mm on short side with a minimum unobstructed area of 0.33m<sup>2</sup>.

(a) Frame manufacturing size to give clear opening width of minimum of 450mm. \*Height can decrease if width is greater than minimum. For more info, speak to technical.

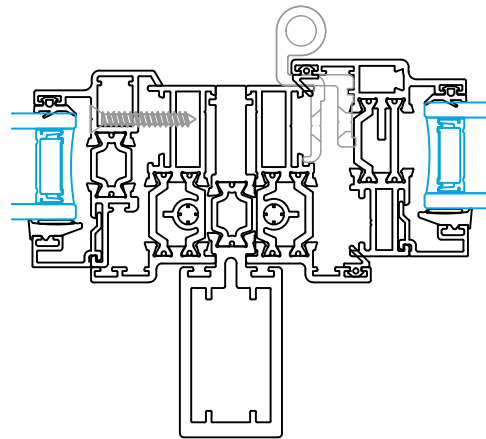
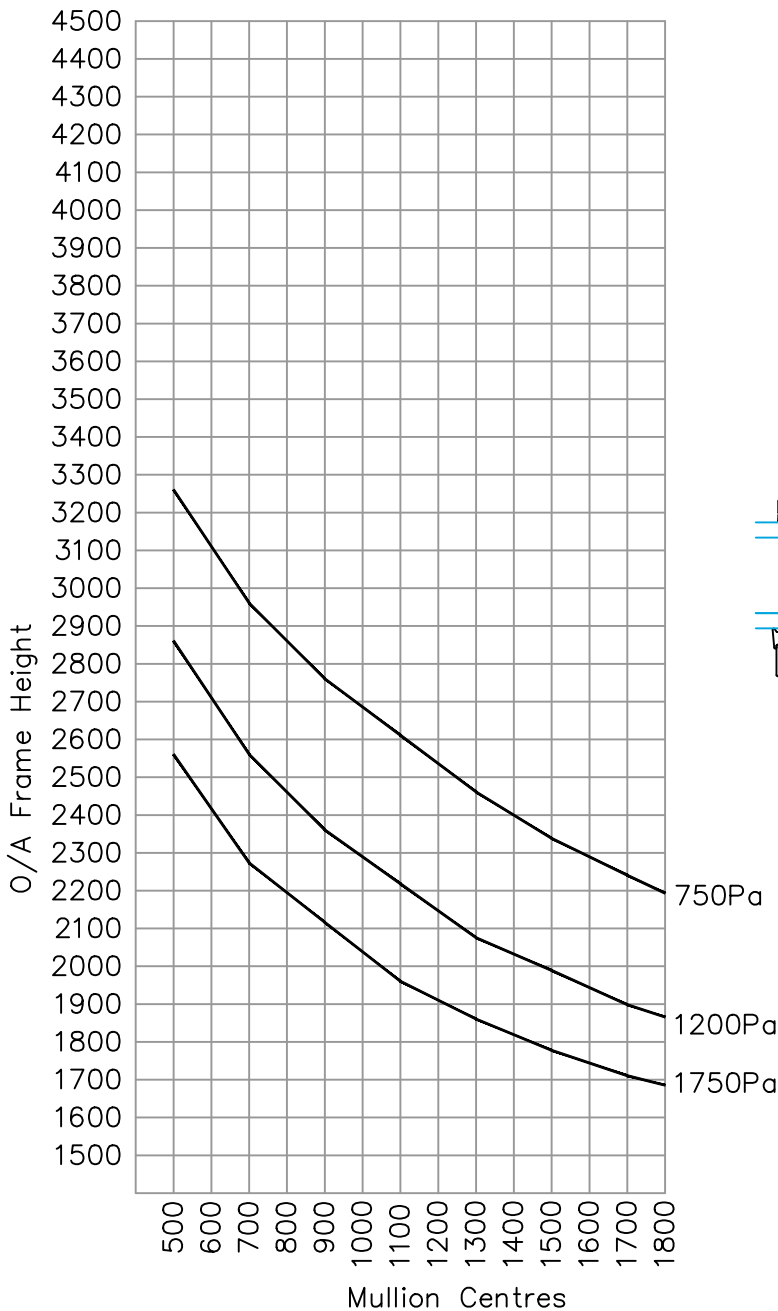
(b) Frame manufacturing size to give clear opening height of minimum of 450mm. \*Width can decrease if height is greater than minimum. For more info, speak to technical.

For advice on sizes outside the recommended design limitations please contact our technical department.



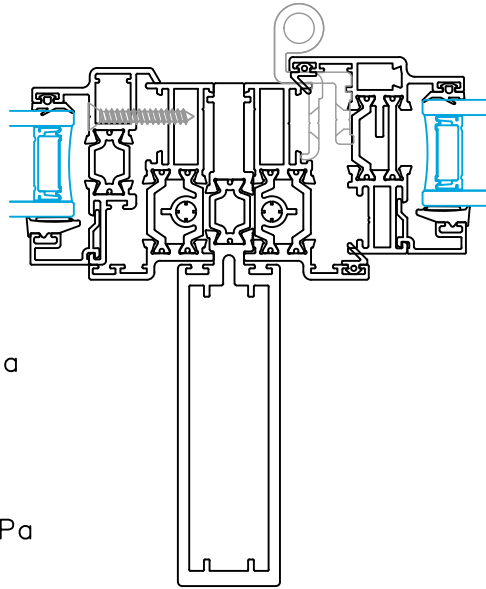
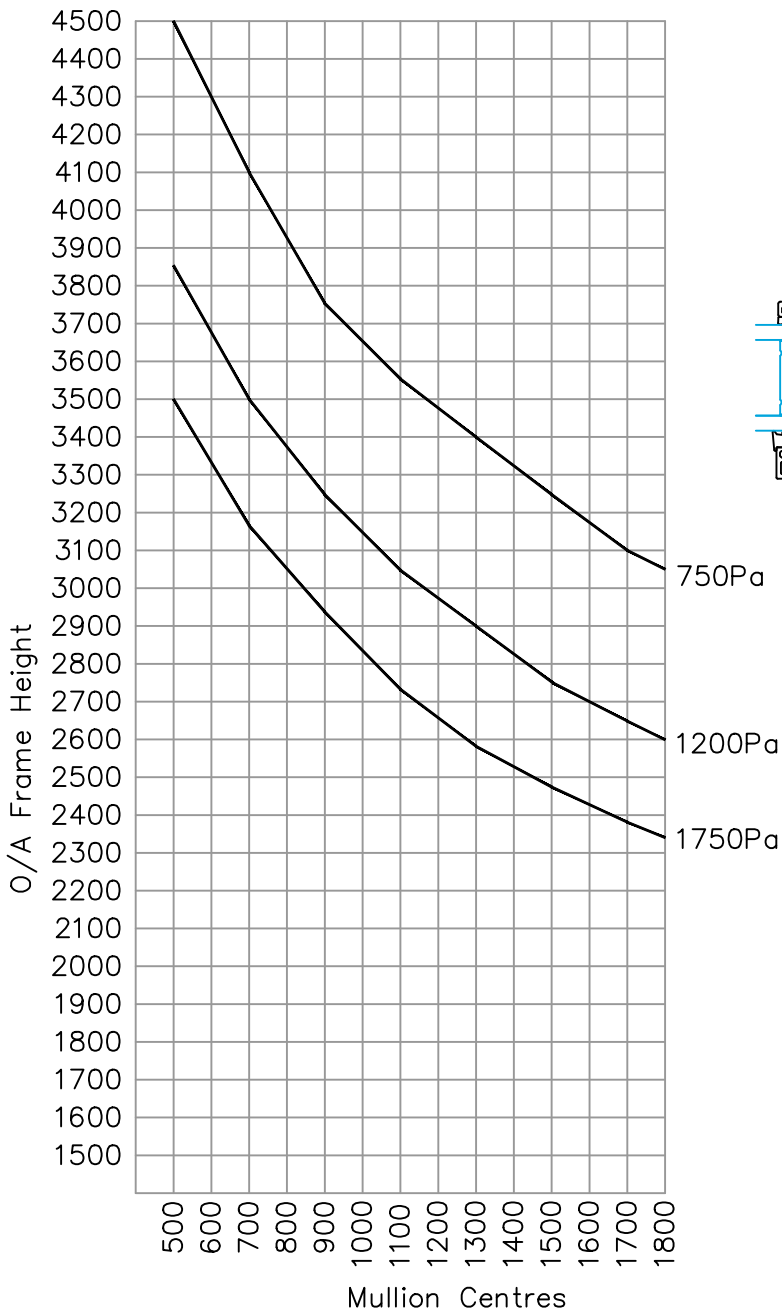
NOTES:

- 1) This coupling mullion can be used with inward and outward opening doors.
- 2) This coupling mullion can ONLY be used with fixed frames without reversing profiles. For screens that contain opening vents please use W20051/W20054 Couplers



NOTES:

- 1) This coupling mullion can be used with outward opening doors only.
- 2) This coupling mullion can ONLY be used with fixed frames with reversing profiles and opening vents. For screens that contain only fixed frames please use W20487 Coupler



NOTES:

- 1) This coupling mullion can be used with outward opening doors only.
- 2) This coupling mullion can ONLY be used with fixed frames with reversing profiles and opening vents. For screens that contain only fixed frames please use W20487 Coupler