

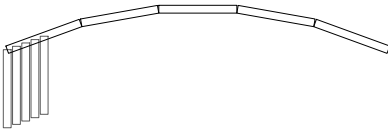
SF35 Configuration Options



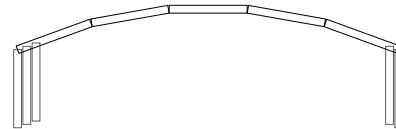
**Straight Run
(Panels Stacking to One Side)**



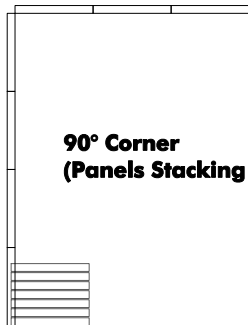
**Straight Run
(Split with Panels
Stacking to Both Sides)**



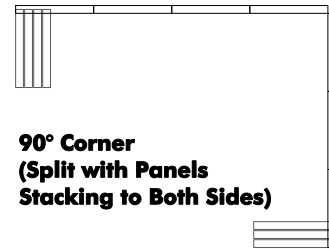
**Faceted Curve
(Panels Stacking to One Side)**



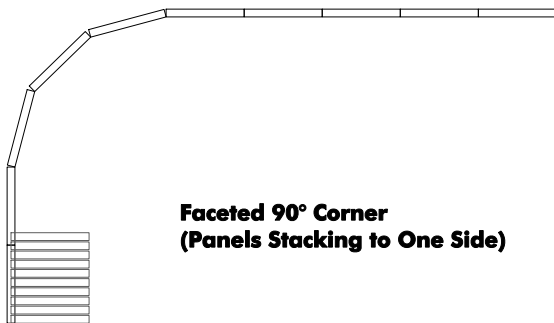
**Faceted Curve
(Split with Panels
Stacking to Both Sides)**



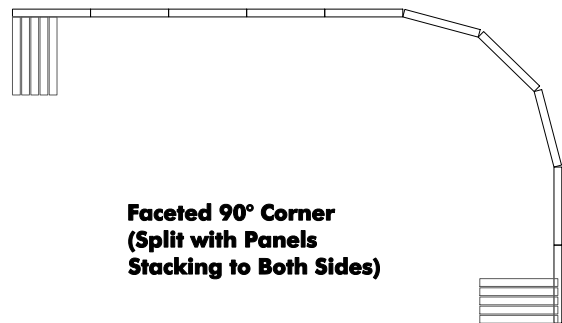
**90° Corner
(Panels Stacking to One Side)**



**90° Corner
(Split with Panels
Stacking to Both Sides)**



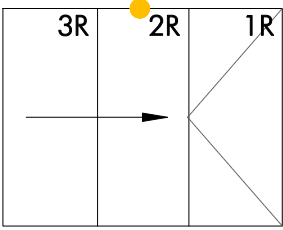
**Faceted 90° Corner
(Panels Stacking to One Side)**



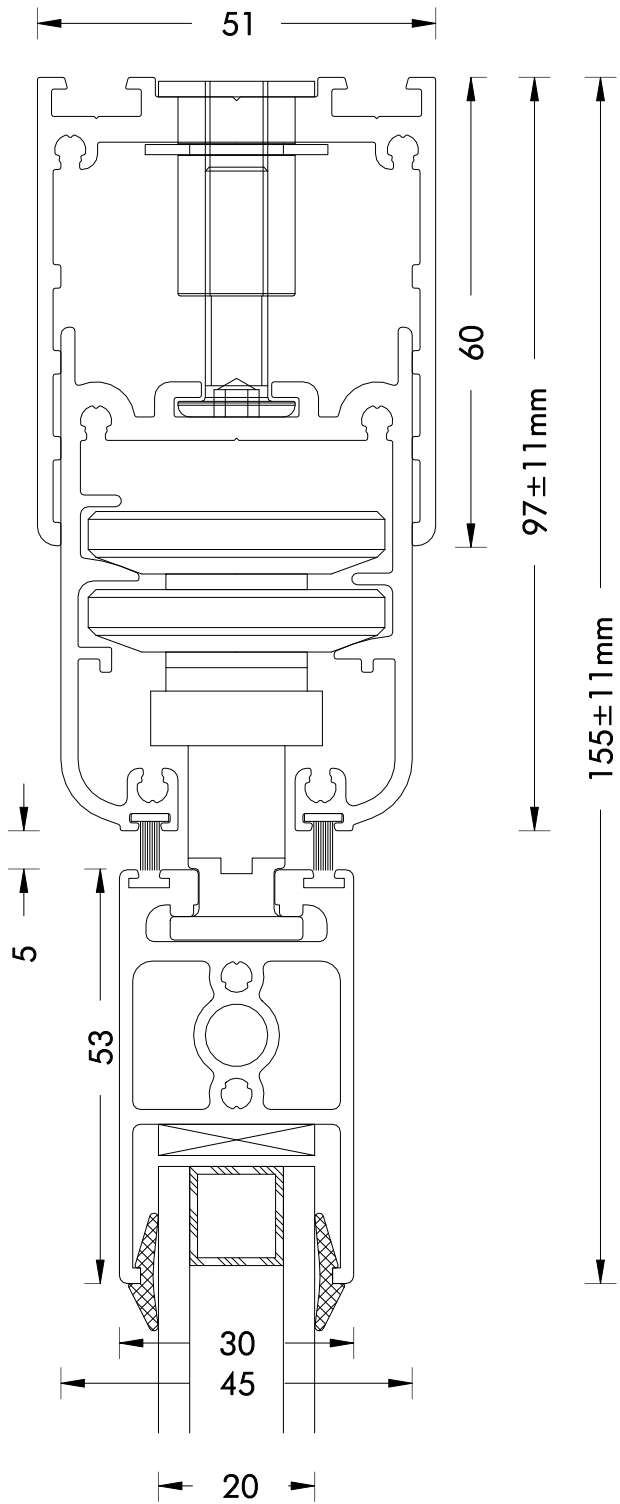
**Faceted 90° Corner
(Split with Panels
Stacking to Both Sides)**

Please Note

**The Above Wall Configurations are Available Either as Outward or Inward Stacking.
The Balcony Version is Available as Inward Stacking Only.
Panels may be Stacked at either End, or Split both ways.
The Configurations Shown are a Small Example of the Flexibility of this System, Please
Contact Sales for Further Details.**



OUTSIDE



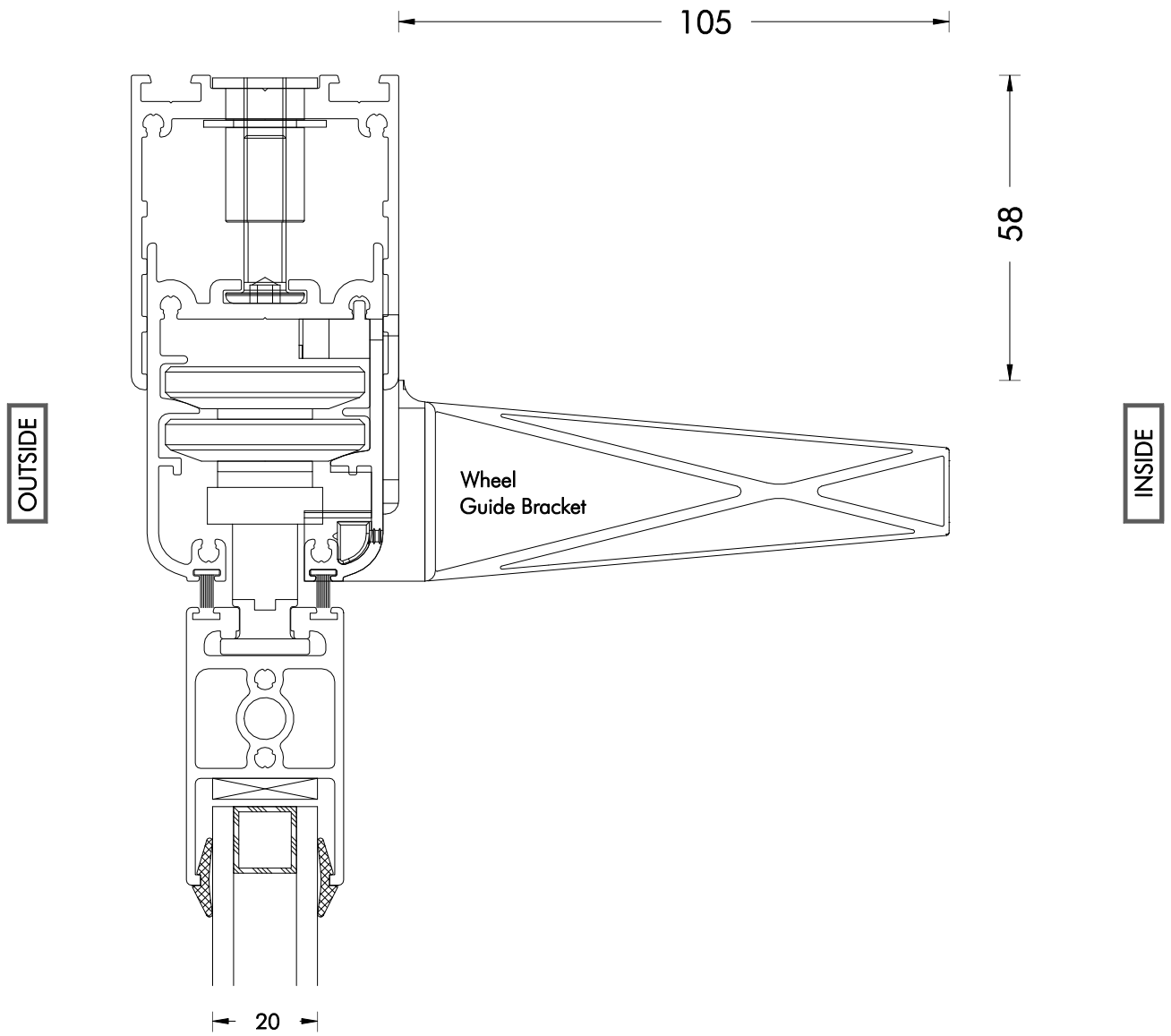
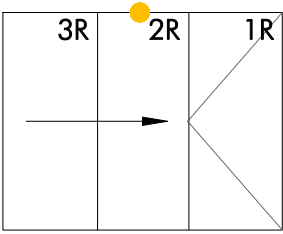
INSIDE

Description **Vertical Section - Connection**
Standard Top Track - Panel

Detail No: **SF35-01**

System: **SF35**

A



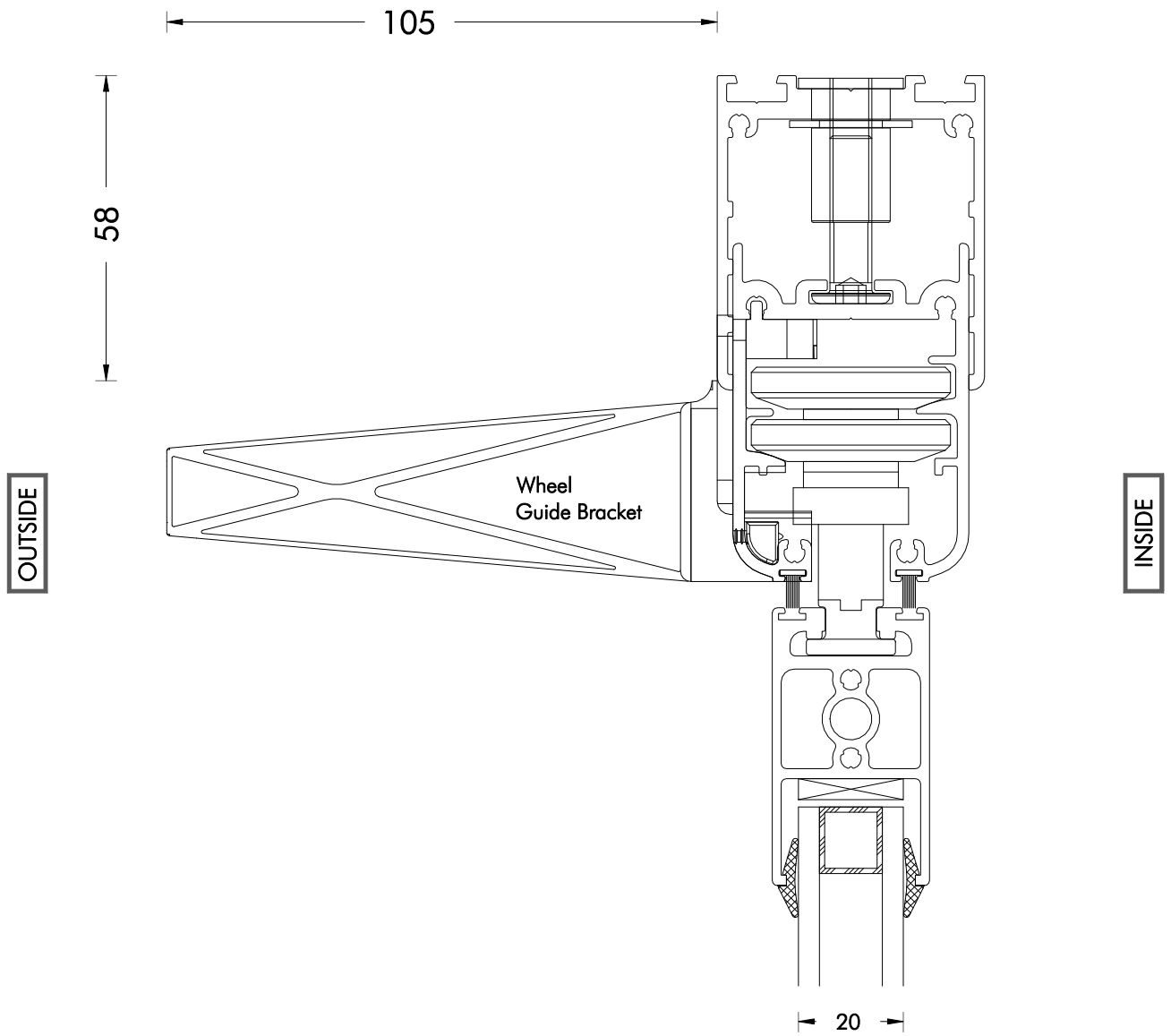
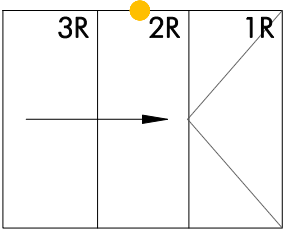
Scale 0.75

Description **Vertical Section - Connection**
Standard Top Track - Panel / Open In
(Section through wheel guide)

Detail No: **SF35-02**

System: **SF35**

A



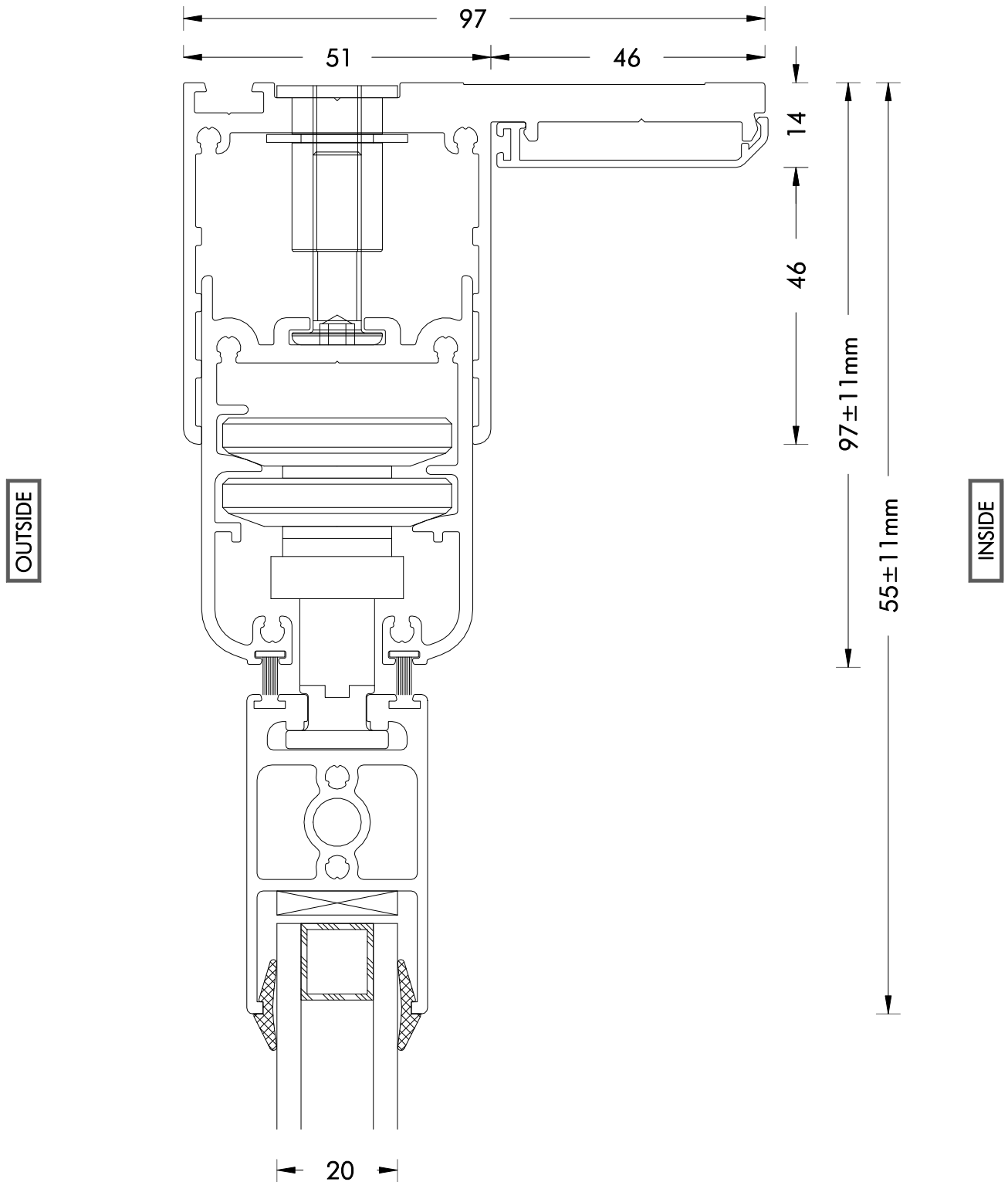
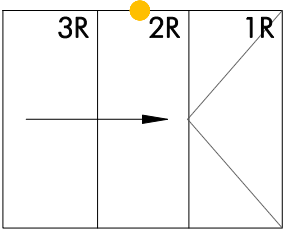
Scale 0.75

Description **Vertical Section - Connection**
Standard Top Track - Panel / Open Out
(Section through wheel guide)

Detail No: **SF35-03**

System: **SF35**

A

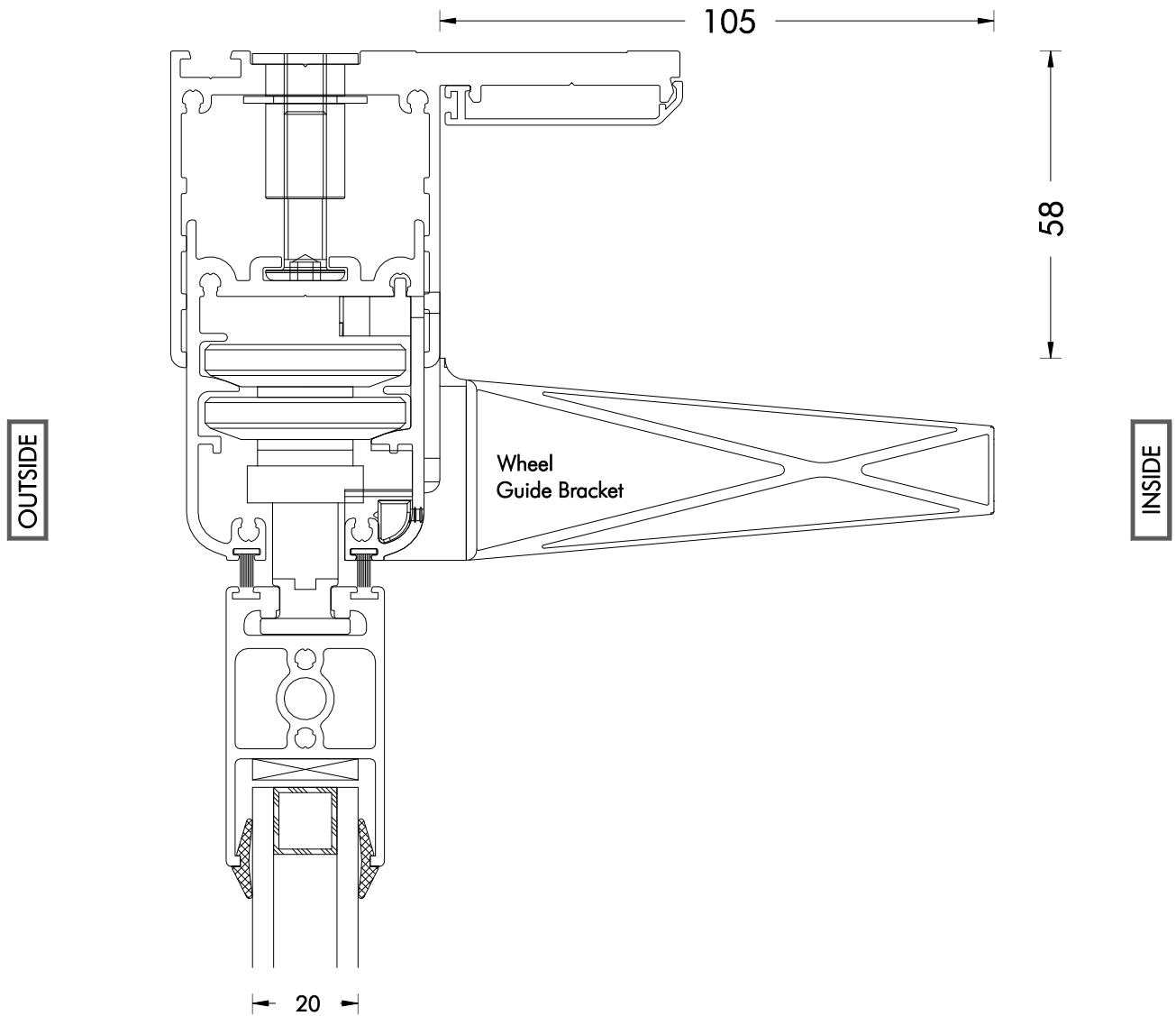
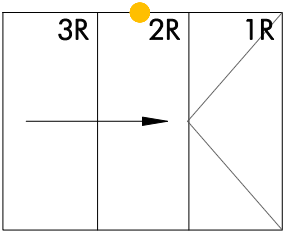


Description **Vertical Section - Connection
Top Track (Offset Fixing) - Panel**

Detail No: **SF35-04**

System: **SF35**

A



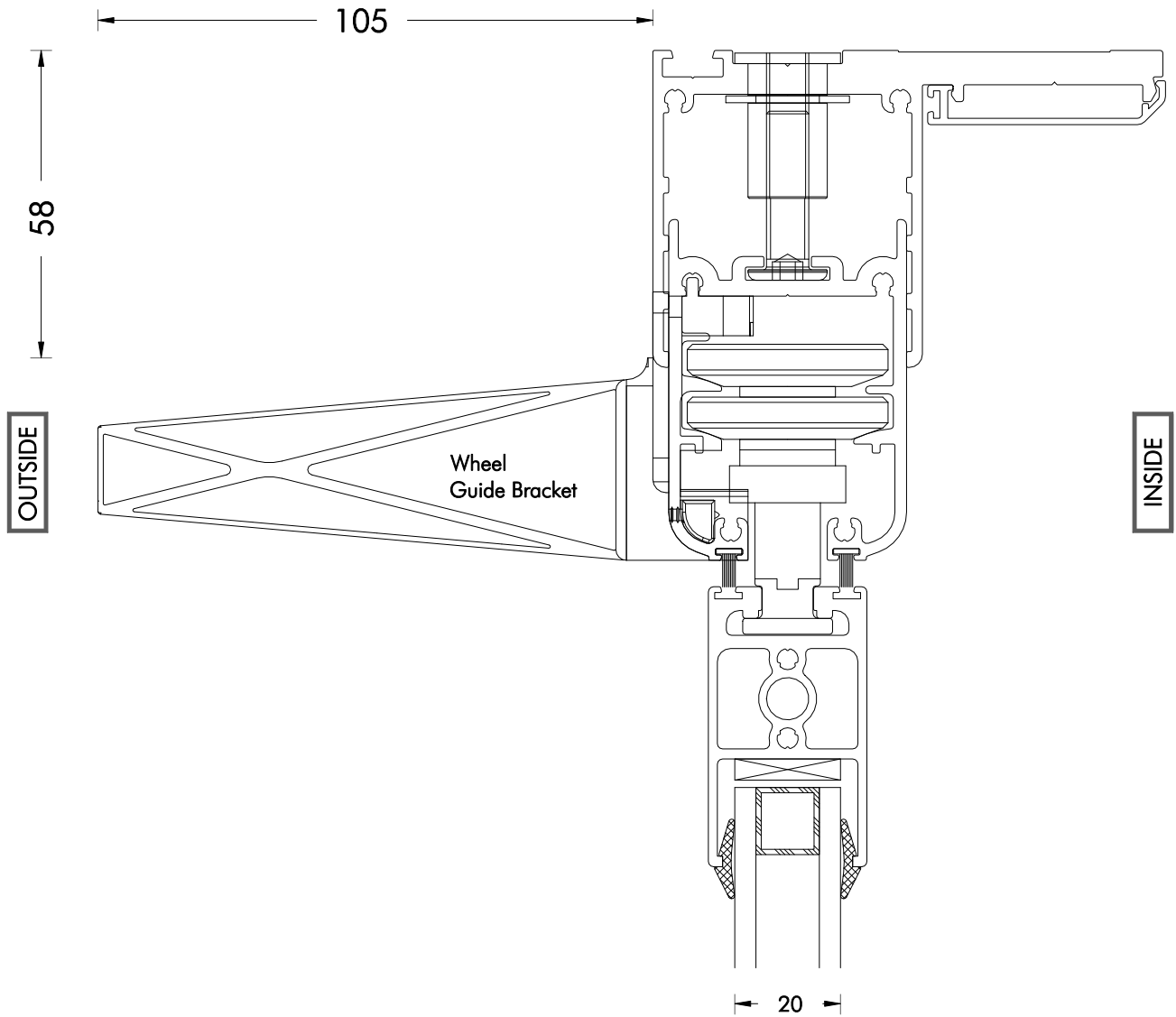
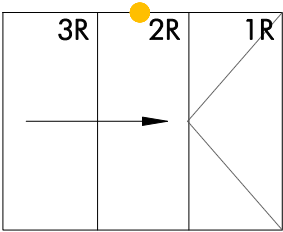
Scale 0.75

Description **Vertical Section - Connection
Top Track (Offset Fixing) - Panel / Open In
(Section through wheel guide)**

Detail No: **SF35-05**

System: **SF35**

A



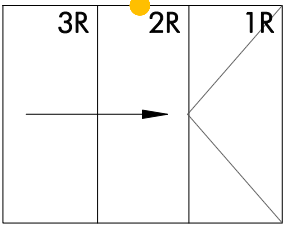
Scale 0.75

Description **Vertical Section - Connection**
Top Track (Offset Fixing) - Panel / Open Out
(Section through wheel guide)

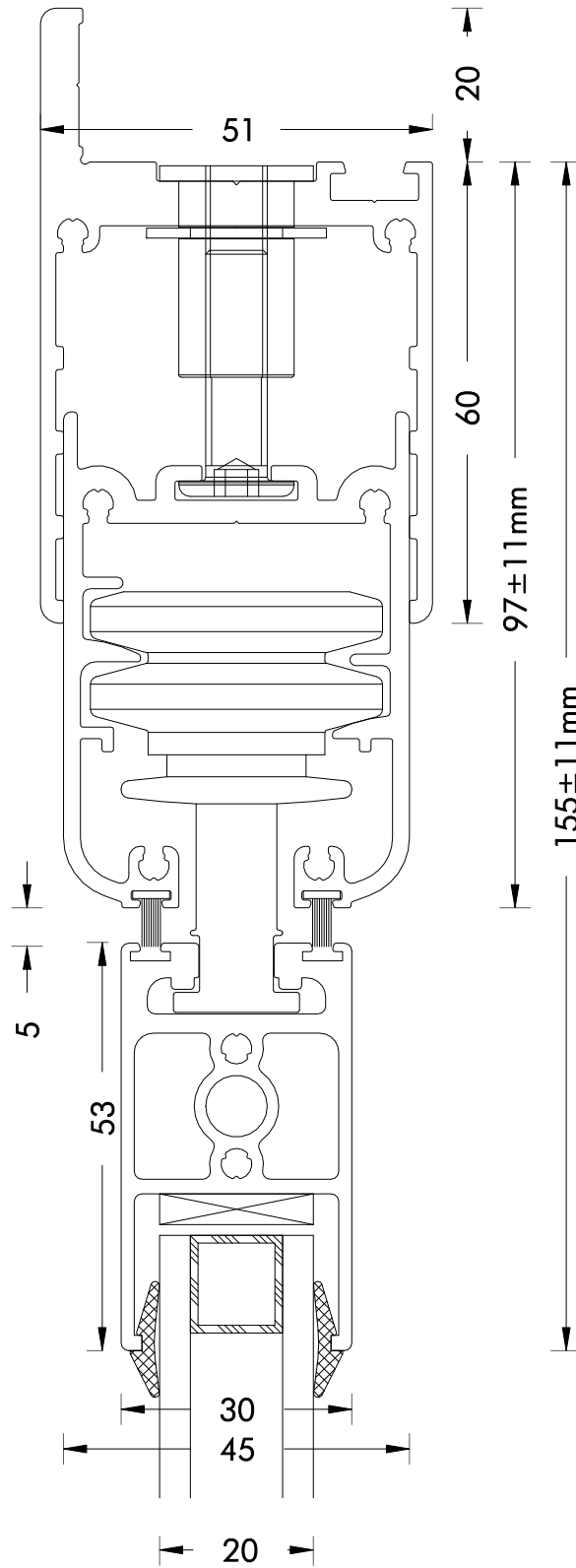
Detail No: **SF35-06**

System: **SF35**

A



OUTSIDE



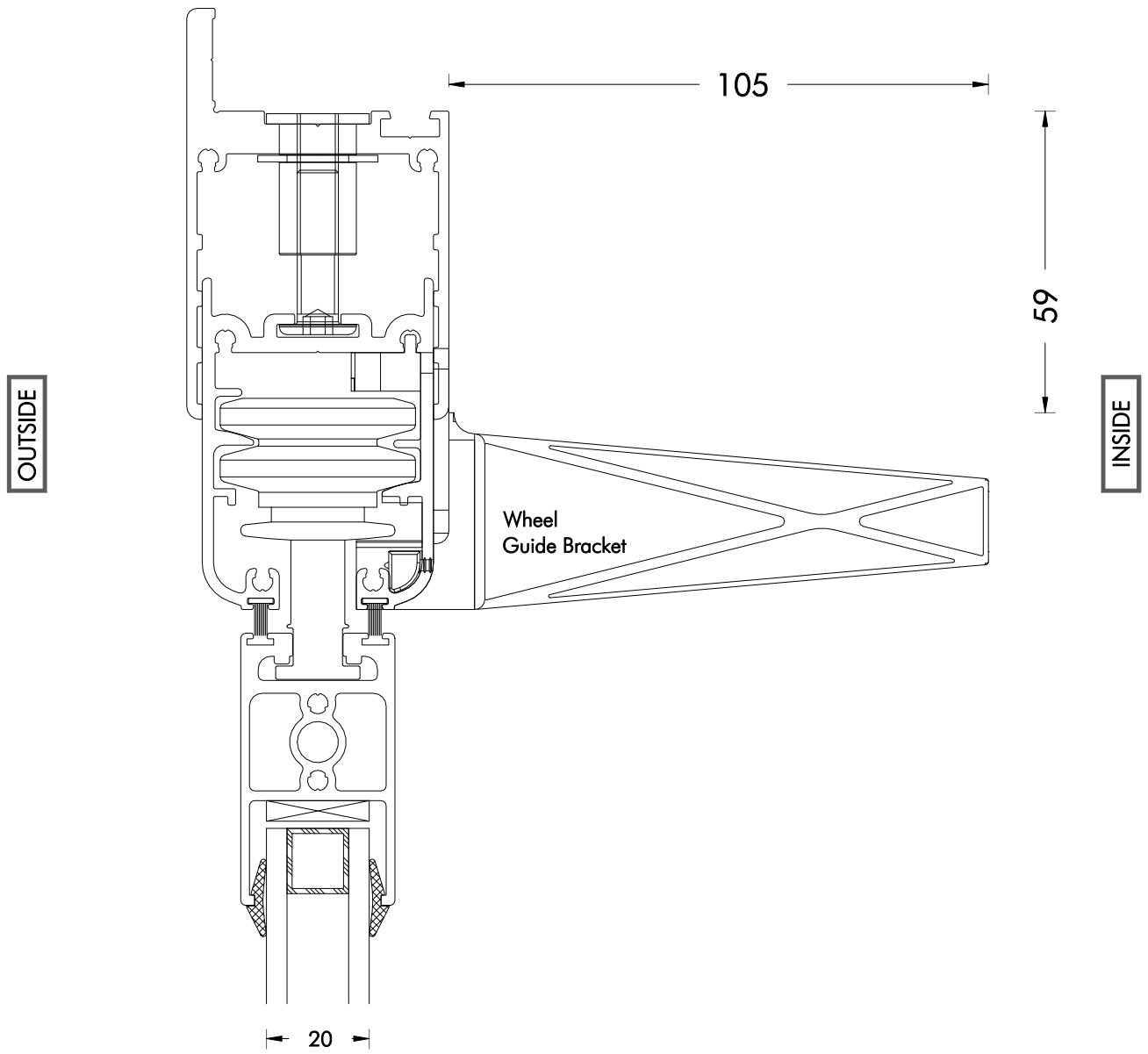
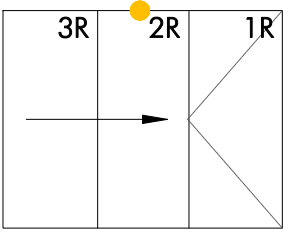
INSIDE

Description **Vertical Section - Connection**
Top Track (Face Fixing) - Panel

Detail No: **SF35-07**

System: **SF35**

A



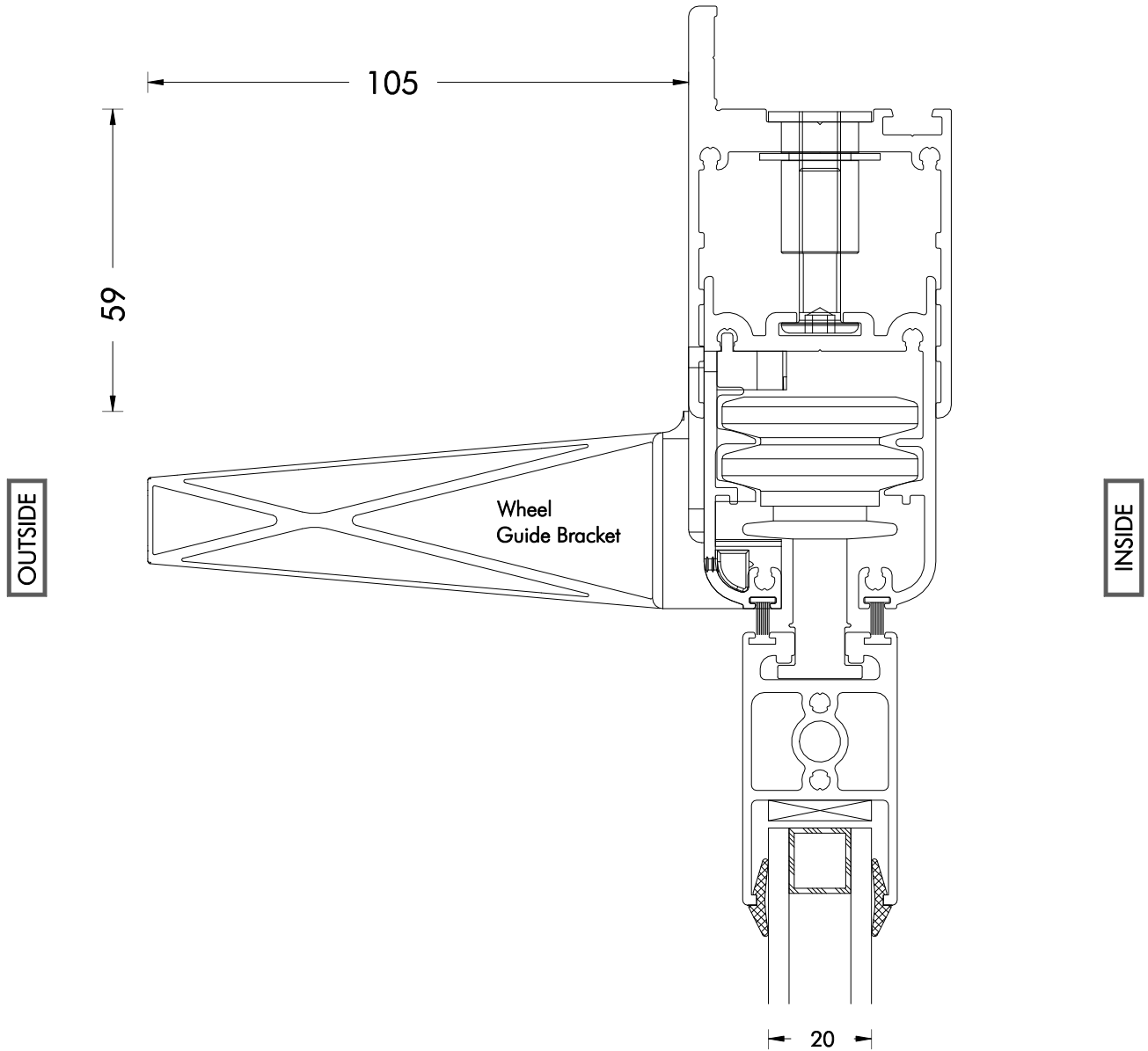
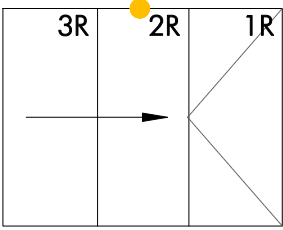
Scale 0.75

Description **Vertical Section - Connection
Top Track (Face Fixing) - Panel / Open In
(Section through wheel guide)**

Detail No: **SF35-08**

System: **SF35**

A



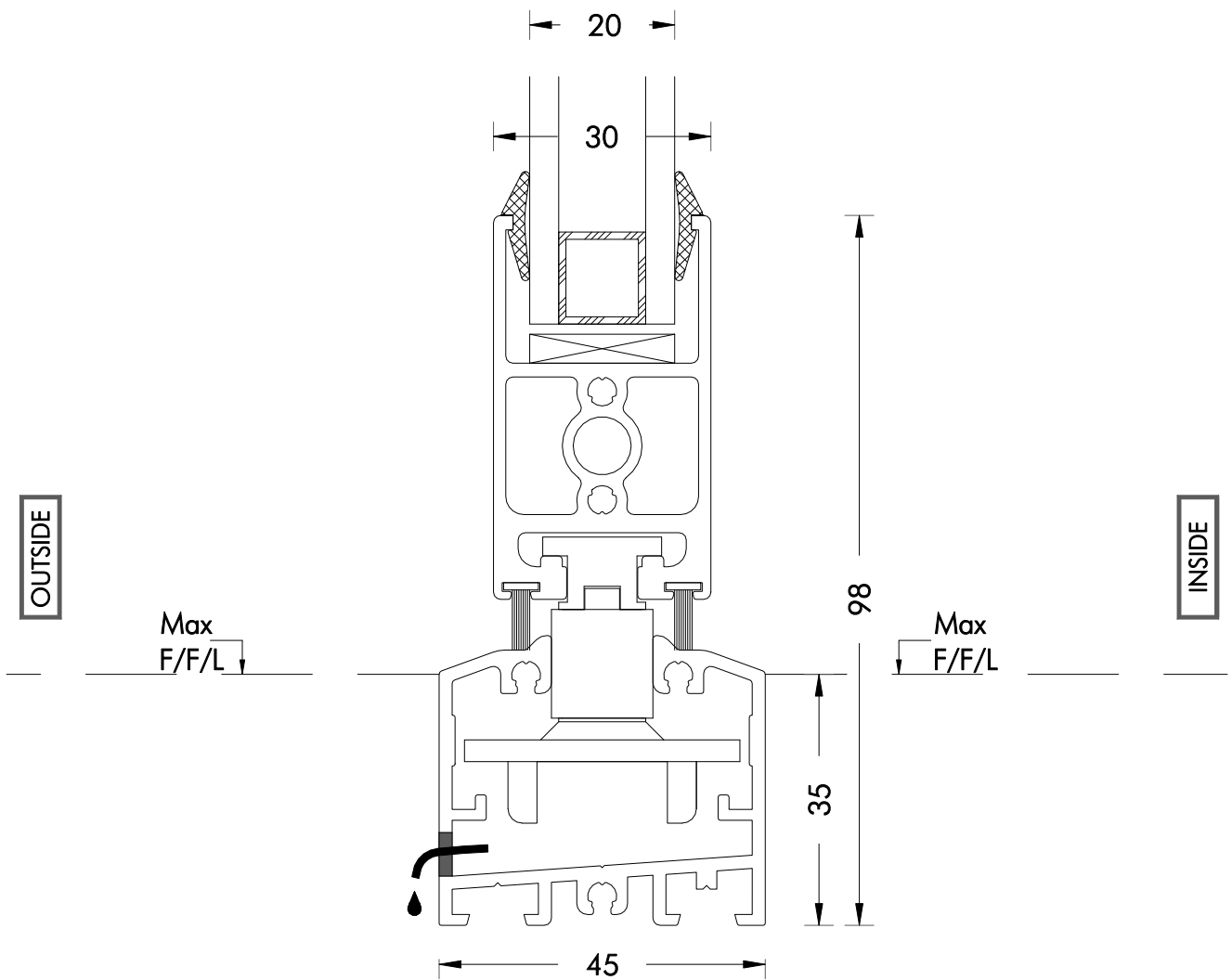
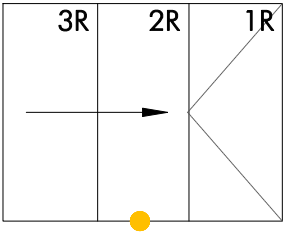
Scale 0.75

Description **Vertical Section - Connection**
Top Track (Face Fixing) - Panel / Open Out
(Section through wheel guide)

Detail No: **SF35-09**

System: **SF35**

A

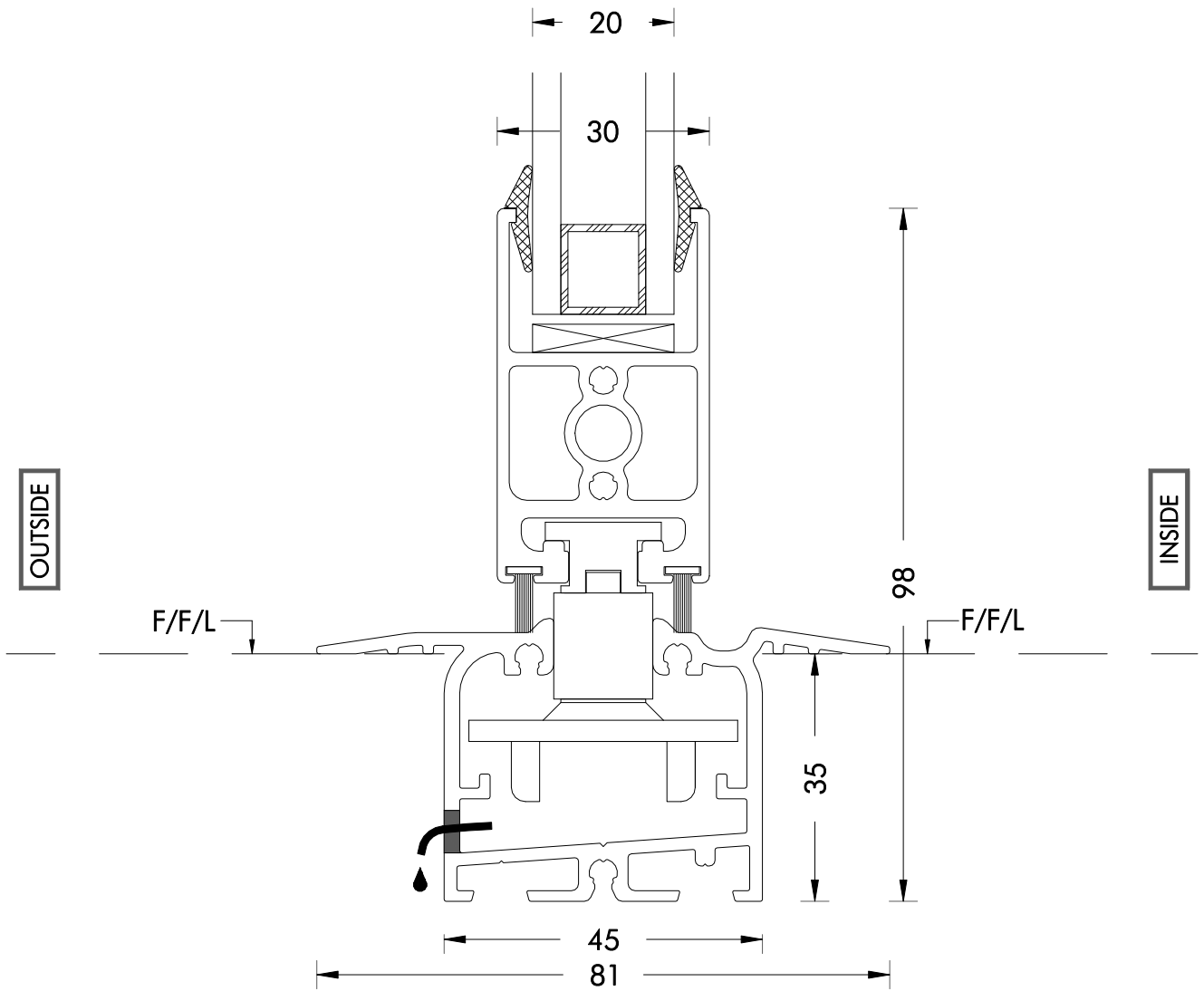
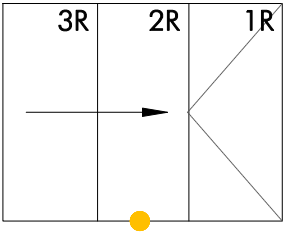


Description **Vertical Section - Connection Panel - Bottom Flush Track**

Detail No: **SF35-10**

System: **SF35**

A

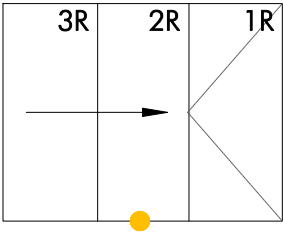


Description **Vertical Section - Connection**
Panel - Bottom Flush Track (Internal)

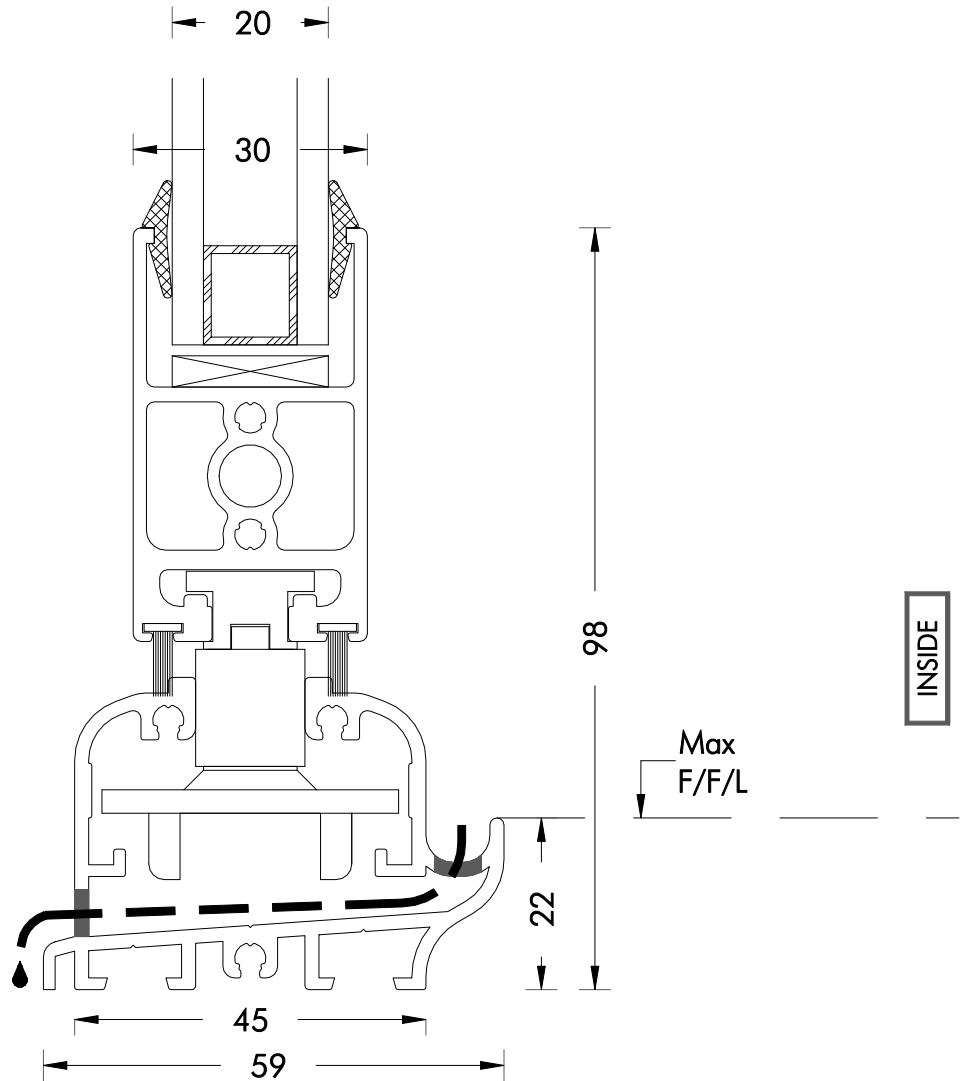
Detail No: **SF35-11**

System: **SF35**

A



OUTSIDE



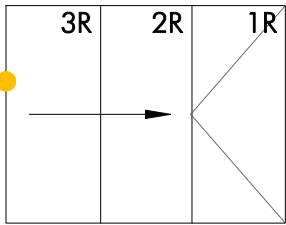
INSIDE

Description **Vertical Section - Connection**
Panel - Standard Bottom Track with condensation tray

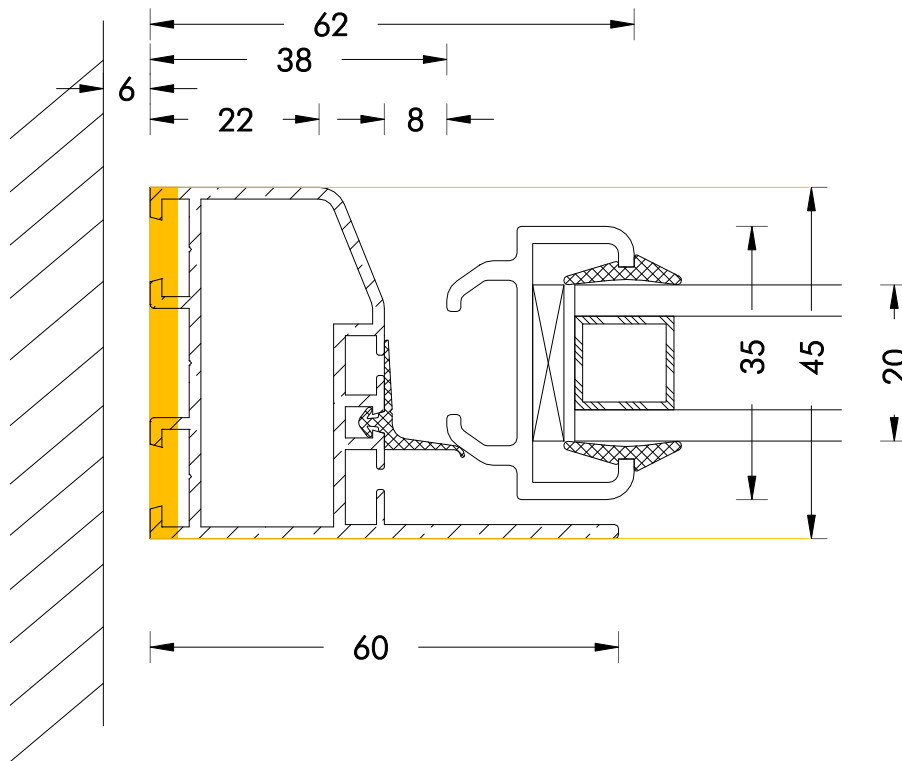
Detail No: **SF35-12**

System: **SF35**

A



OUTSIDE



-  **Plan view of End of Panel/Side Jamb**
-  **Plan view of Bottom Flush Track**

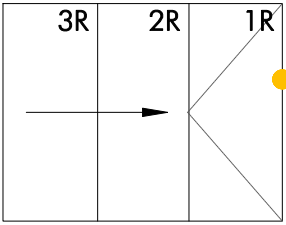
INSIDE

Description **Horizontal Section - Wall Connection**
Side Jamb - Panel 3R / Open Out

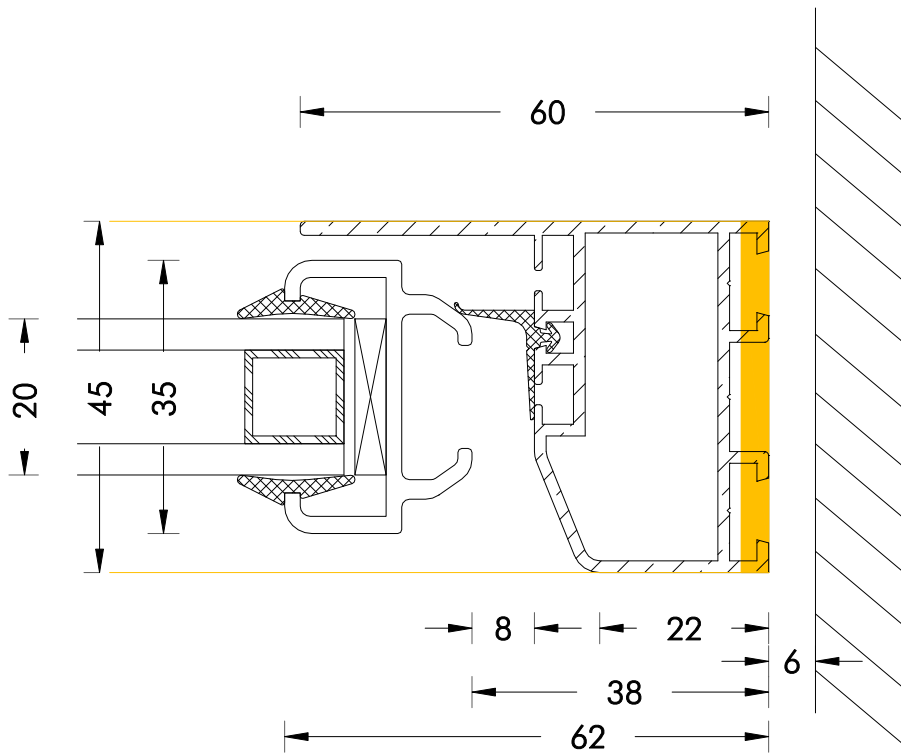
Detail No: **SF35-13**

System: **SF35**

A



OUTSIDE



-  **Plan view of End of Panel/Side Jamb**
-  **Plan view of Bottom Flush Track**

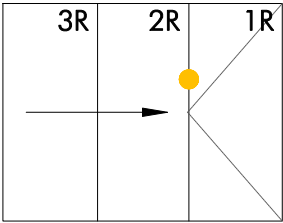
INSIDE

Description **Horizontal Section - Wall Connection**
Panel 1R - Side Jamb / Open In

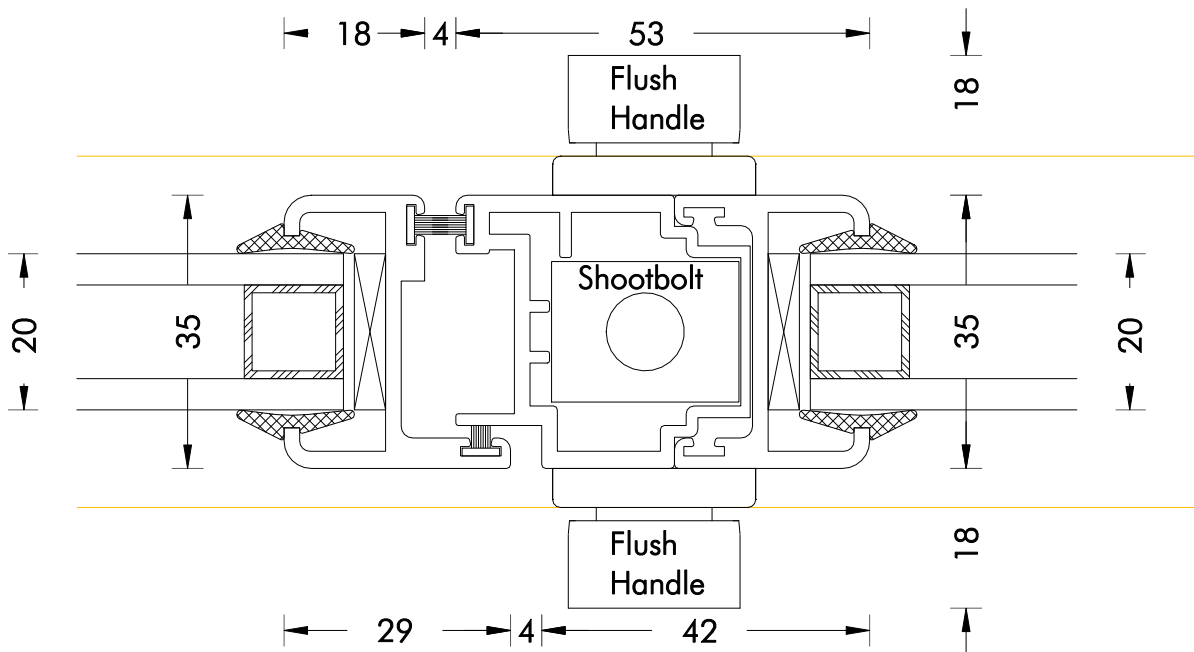
Detail No: **SF35-14**

System: **SF35**

A



OUTSIDE



-  **Plan view of End of Panel/Side Jamb**
-  **Plan view of Bottom Flush Track**

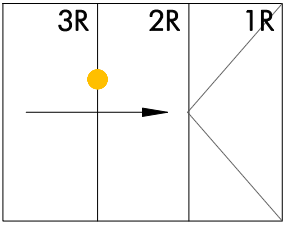
INSIDE

Description **Horizontal Section - Connection
Panel 2R - Panel 1R / Open Out**

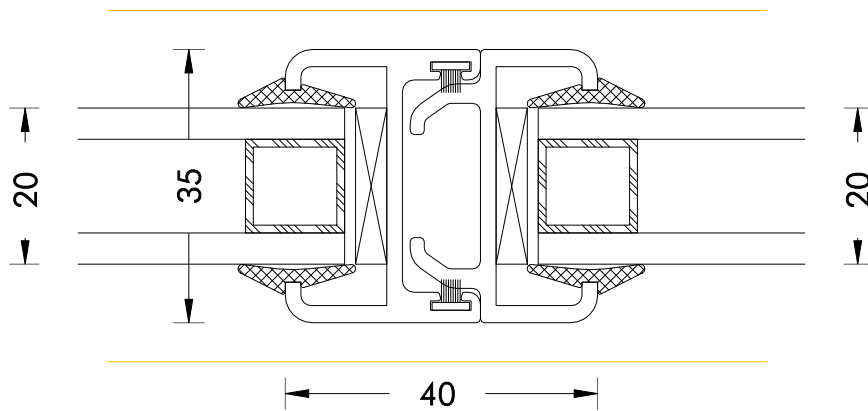
Detail No: **SF35-15**

System: **SF35**

A



OUTSIDE



-  **Plan view of End of Panel/Side Jamb**
-  **Plan view of Bottom Flush Track**

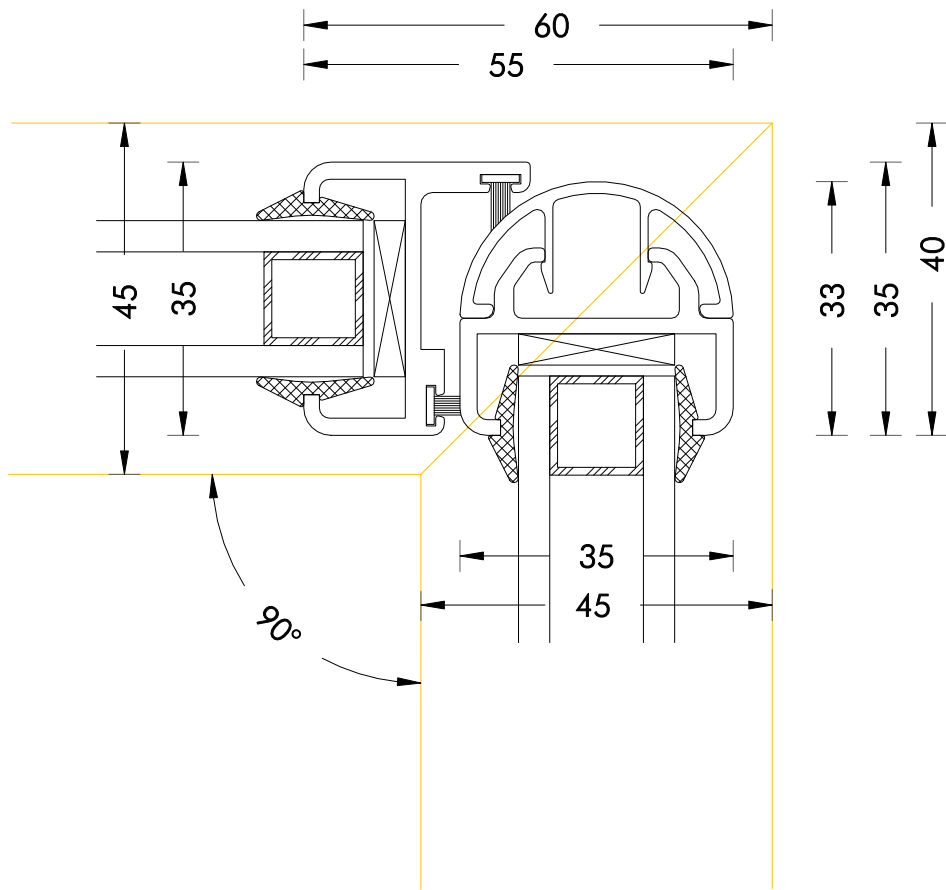
INSIDE

Description **Horizontal Section - Connection**
Panel 3R - Panel 2R

Detail No: **SF35-16**

System: **SF35**

A



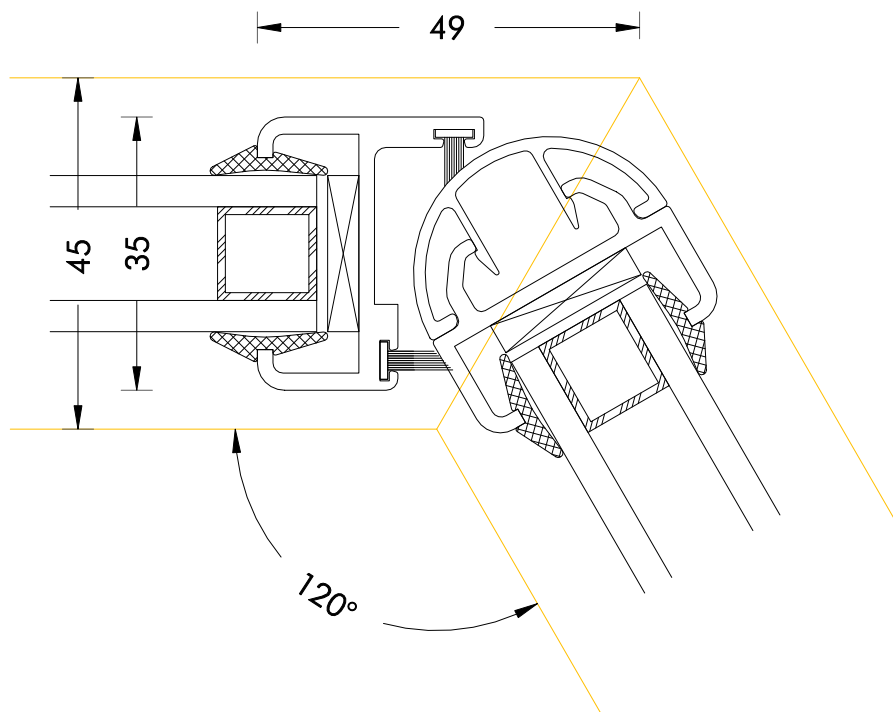
-  Plan view of End of Panel
-  Plan view of Bottom Flush Track

Description **Horizontal Section - Connection**
Panel - Panel - 90° Corner

Detail No: **SF35-17**

System: **SF35**

A

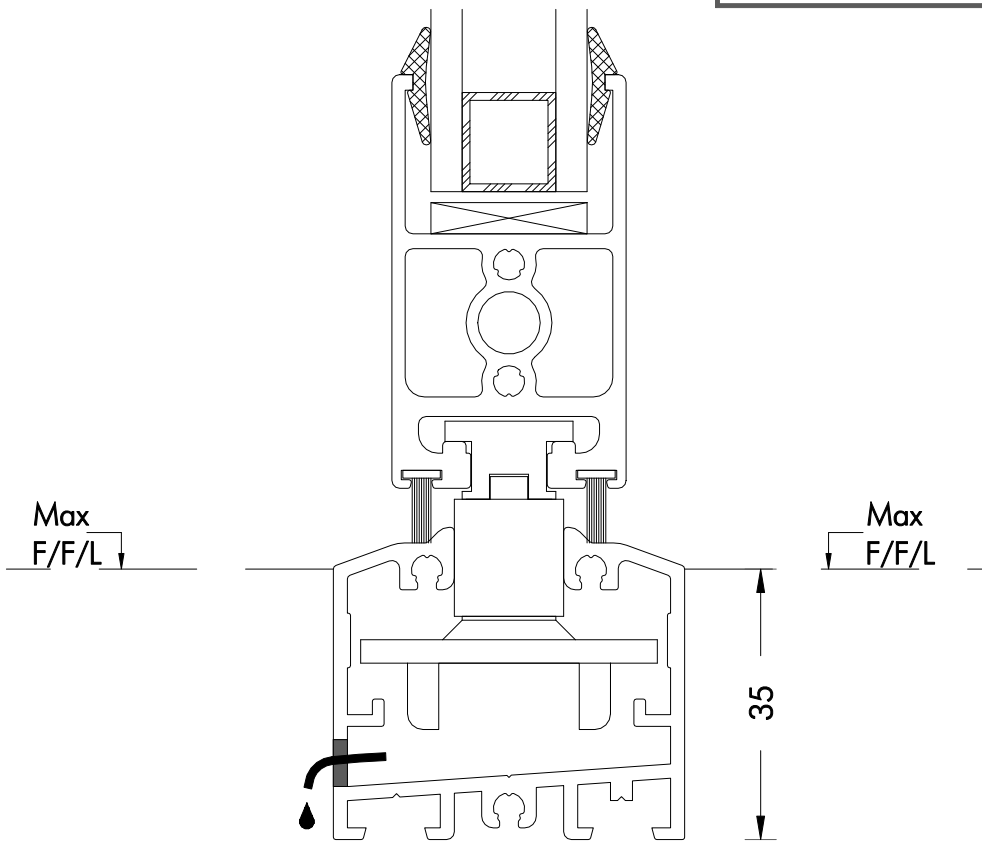


Description **Horizontal Section - Connection
Panel - Panel - 120° Corner**

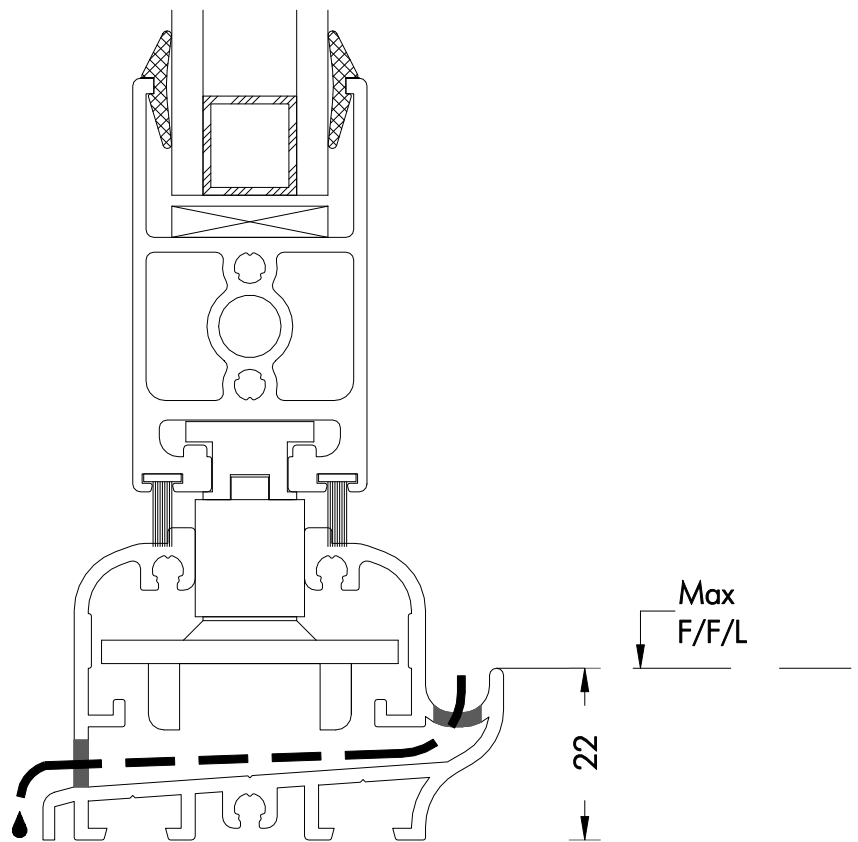
Detail No: **SF35-18**

System: **SF35**

A



Option 1, Flush track



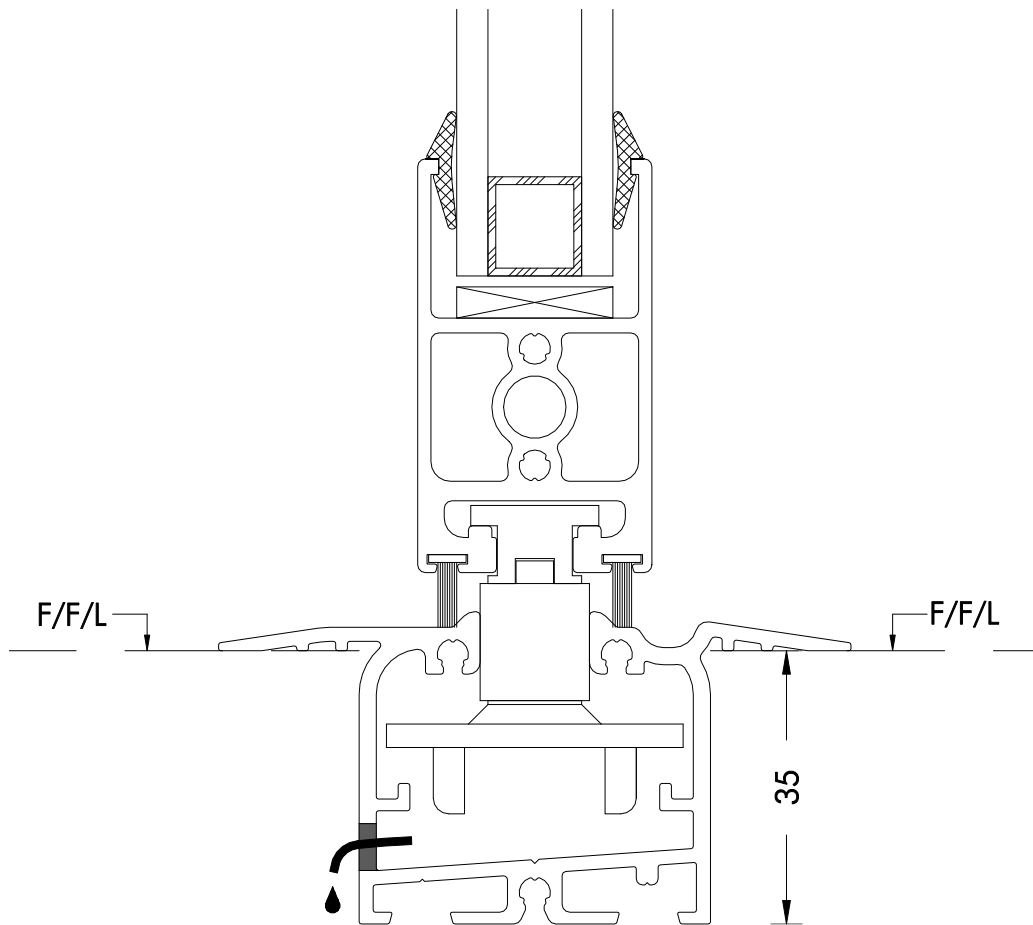
Option 2, Standard Bottom Track with condensation tray

Description **Vertical Section
Threshold Options**

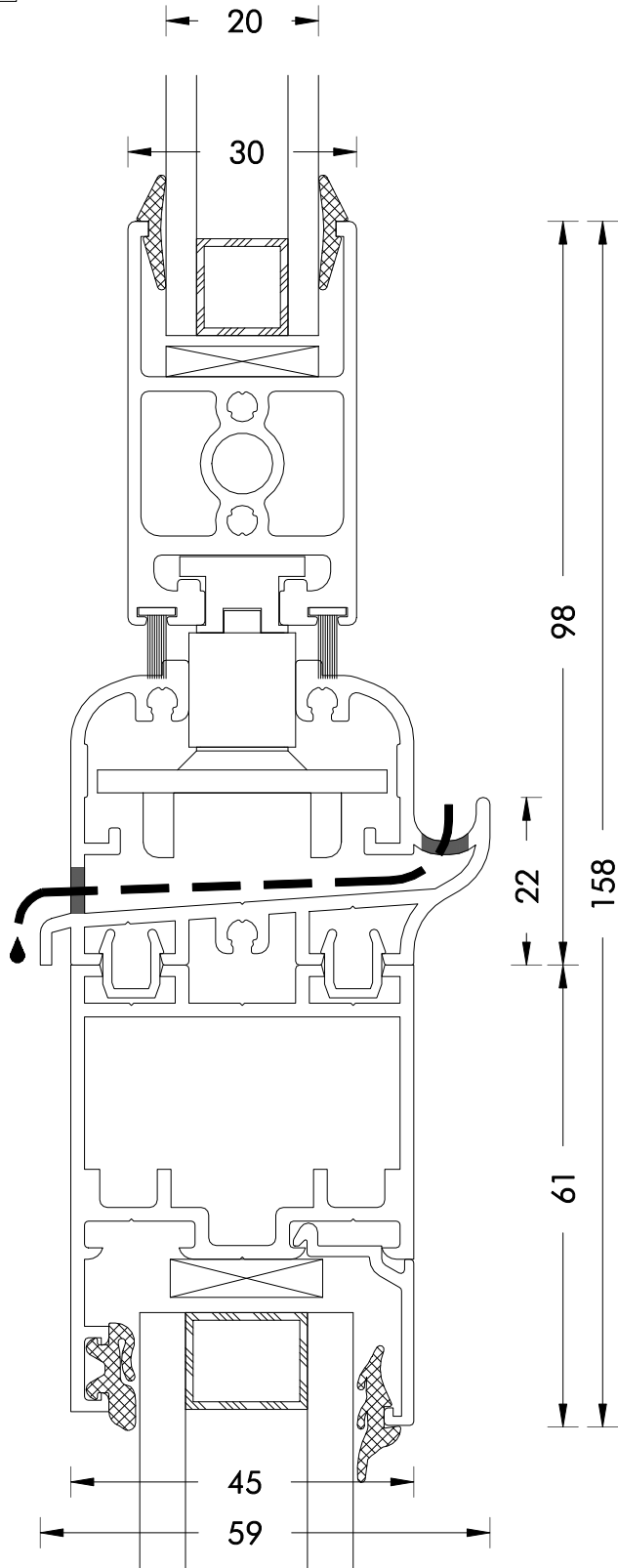
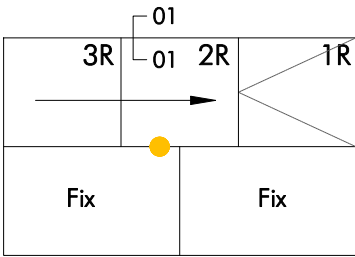
Detail No: **SF35-19**

System: **SF35**

A



Option 3, Flush track (Internal)

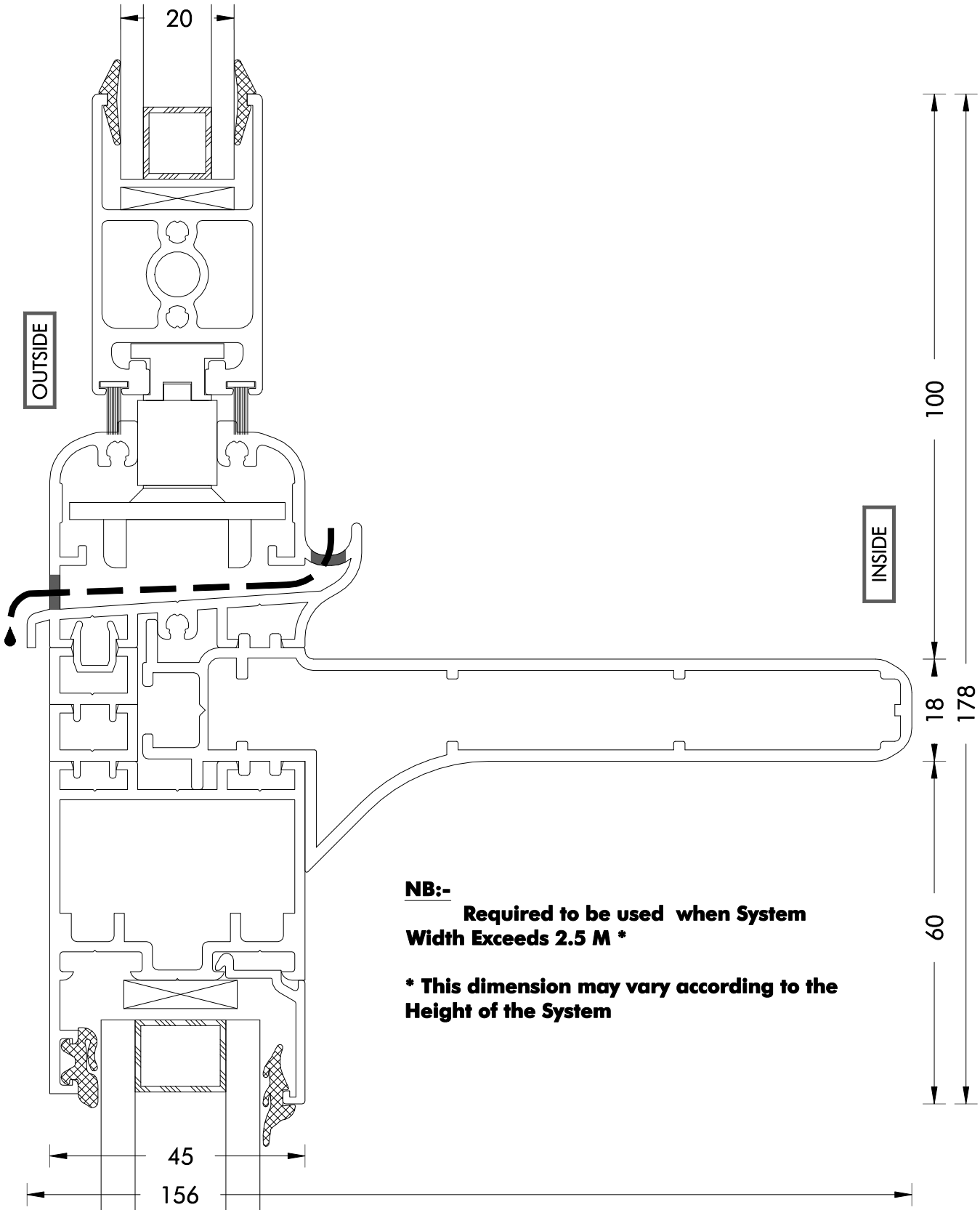
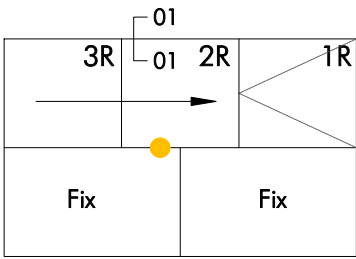


Description **Vertical Section - Connection**
Panel - Standard Bottom Track with condensation tray -
Additional Fixed Frame

Detail No: **SF35-21**

System: **SF35**

A

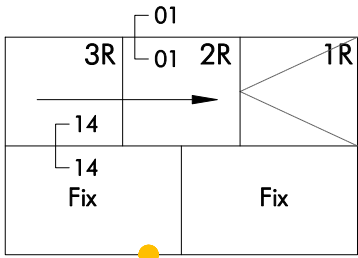


Description **Vertical Section - Connection**
Panel - Standard Bottom Track with condensation tray -
Strengthening Profile - Additional Fixed Frame

Detail No: **SF35-22**

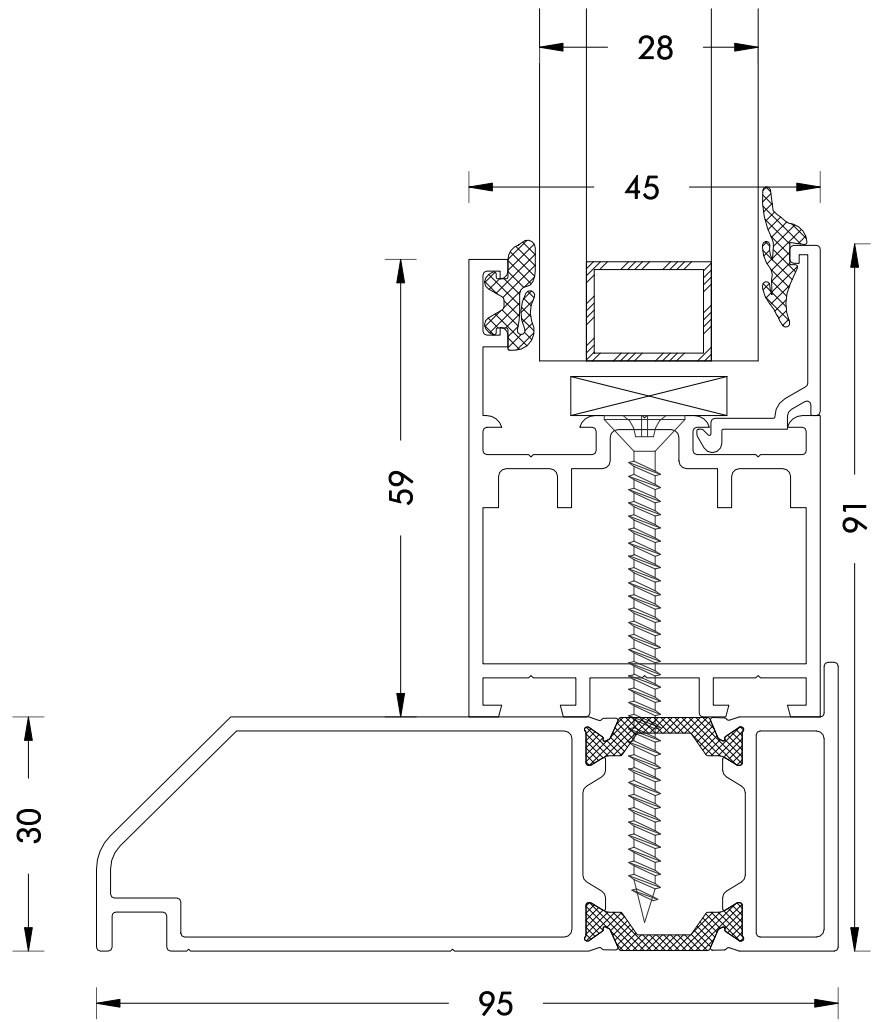
System: **SF35**

A



OUTSIDE

INSIDE

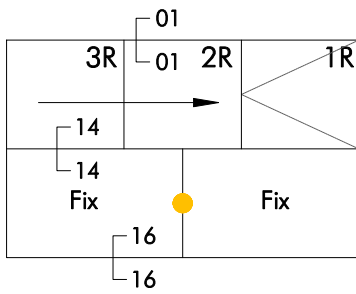


Description **Vertical Section - Connection**
Fixed Frame - 95mm Thermally Broken Aluminium Sill

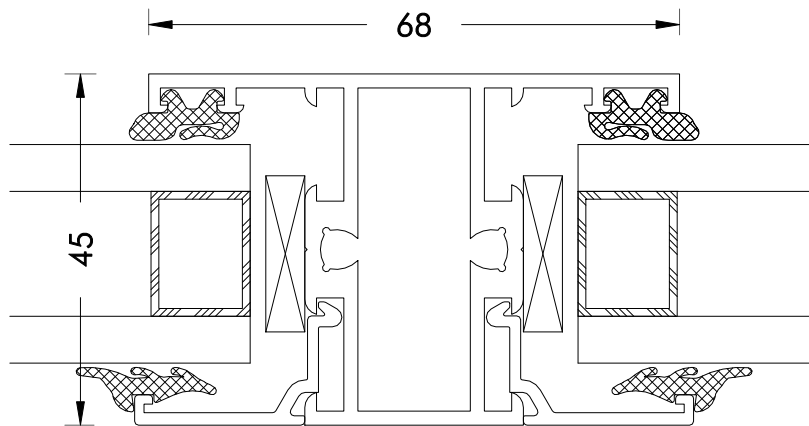
Detail No: **SF35-23**

System: **SF35**

A



OUTSIDE



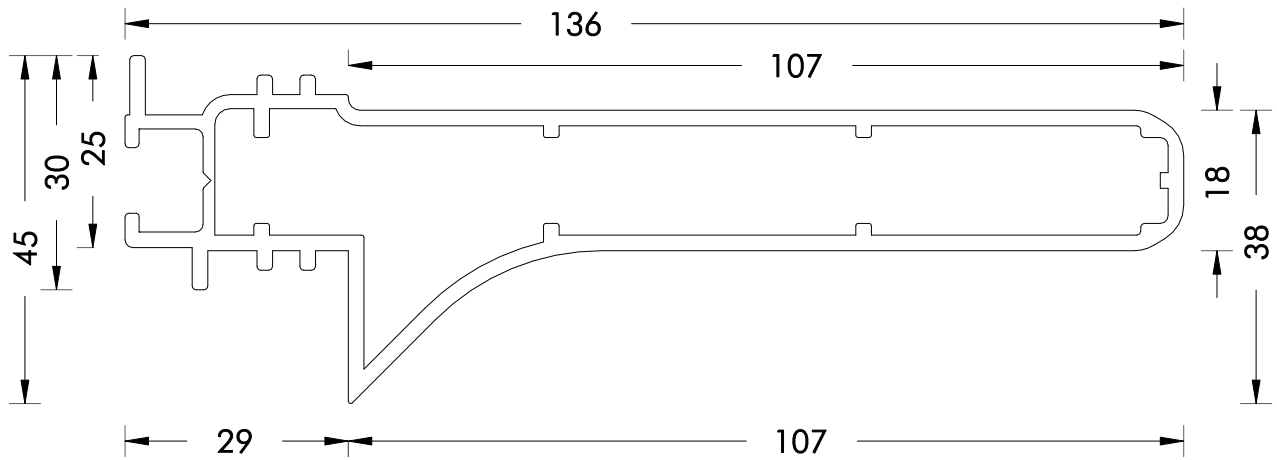
INSIDE

Description **Horizontal Section - Connection**
Additional Fixed Frame - Additional Fixed Frame
Mullion Detail

Detail No: **SF35-24**

System: **SF35**

A



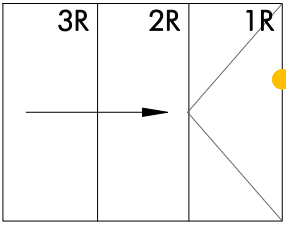
NB:-
See SF35-22 for usage requirement

Description **Horizontal Section - Additional Profile Reinforcing Profile**

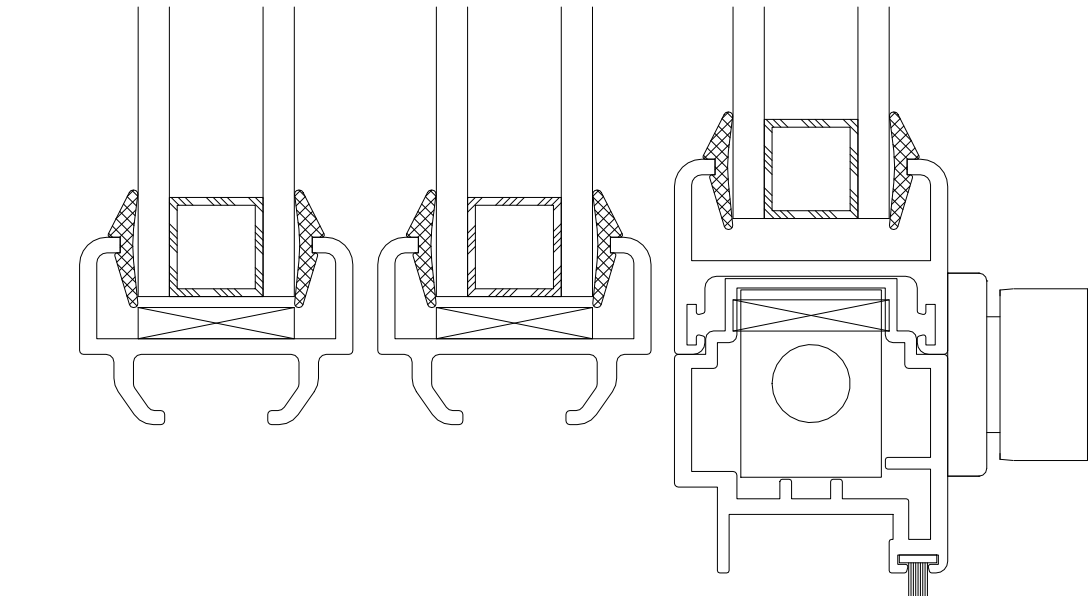
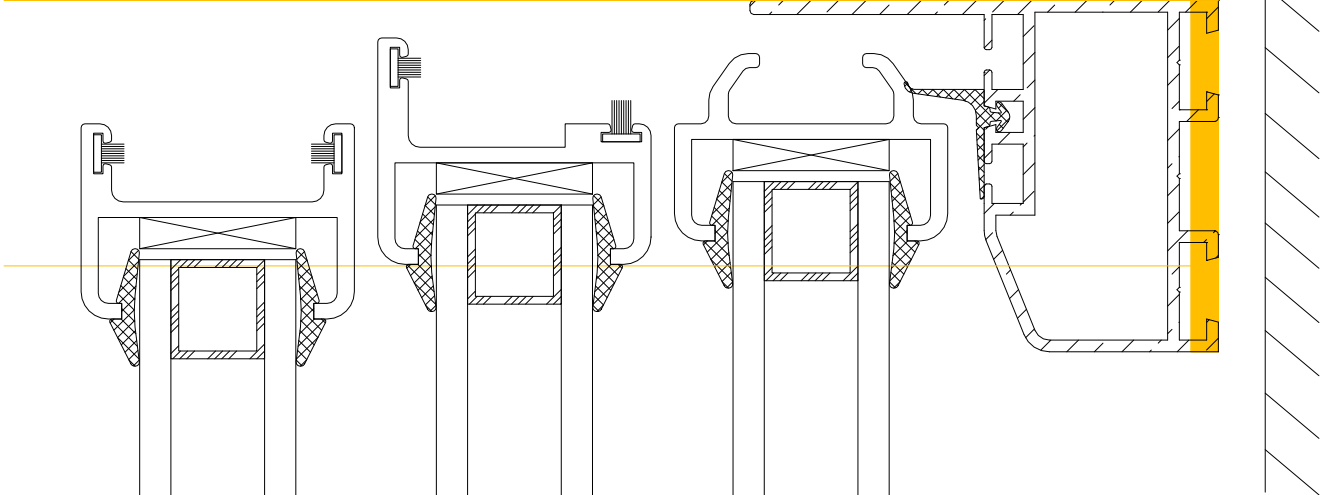
Detail No: **SF35-25**

System: **SF35**

A



OUTSIDE



 **Plan view of End of Panel/Side Jamb**
 **Plan view of Bottom Flush Track**

INSIDE

Description **Horizontal Section
Stacking - (Inward Opening)**

Detail No: **SF35-26**

System: **SF35**

A



SUNFLEX UK

Description **Blank**

Detail No: -

System: **SF35**

A