

# GRAND SLIDER II (Triple Track) Product Manual

Contents:

SECTION A:

Typical Sections

SECTION B:

Hardware Options

SECTION C:

Pocket Slider Typical Sections

SECTION D:

Coupling Details

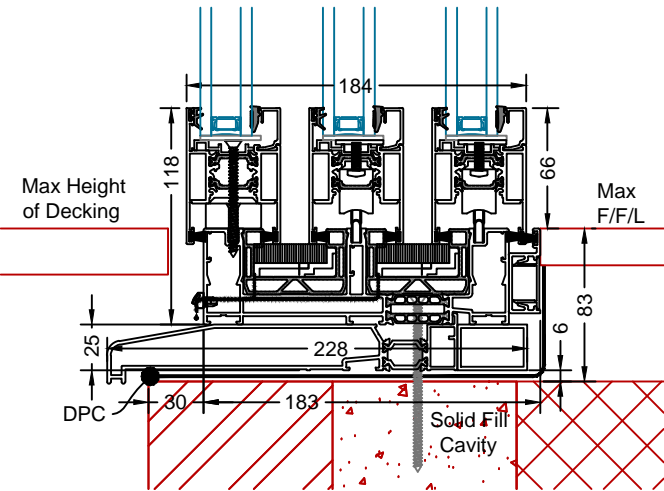
SECTION E:

Statics

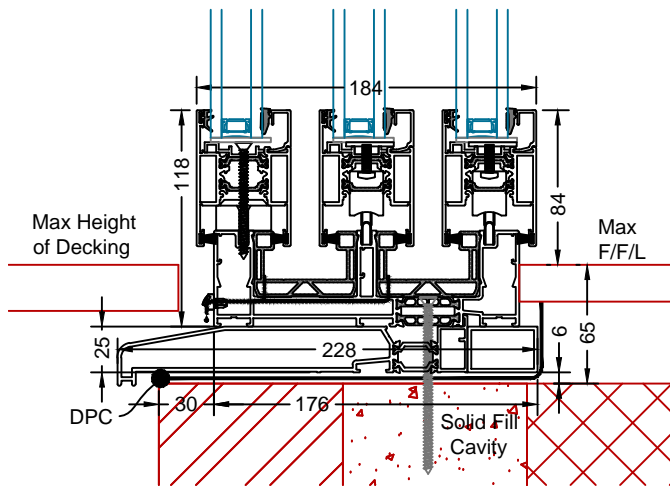
# GRAND SLIDER II (Triple Track)

## TYPICAL SECTIONS

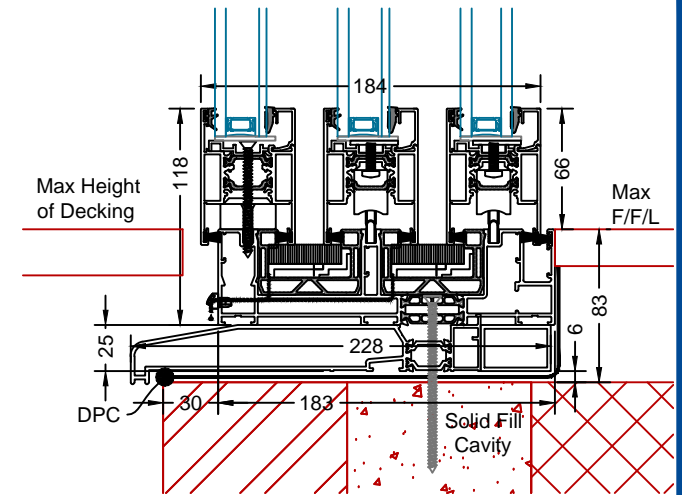
Triple Track 228mm Sill  
With Internal  
Flush Floor Detail



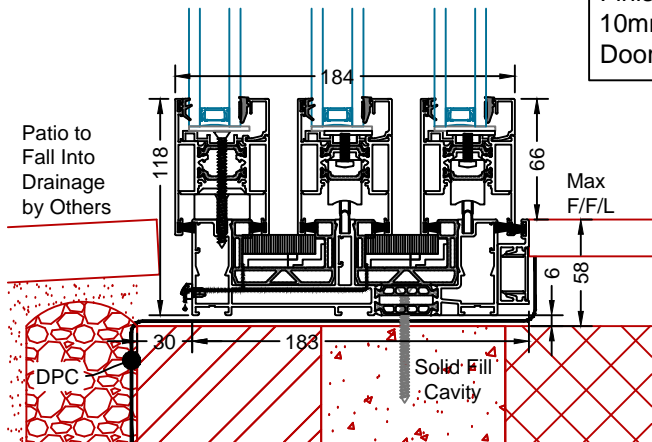
Triple Track 228mm Sill  
With Non-Flush  
Internal Floor Detail



Triple Track 228mm Sill  
With Flush Internal Profile All Round

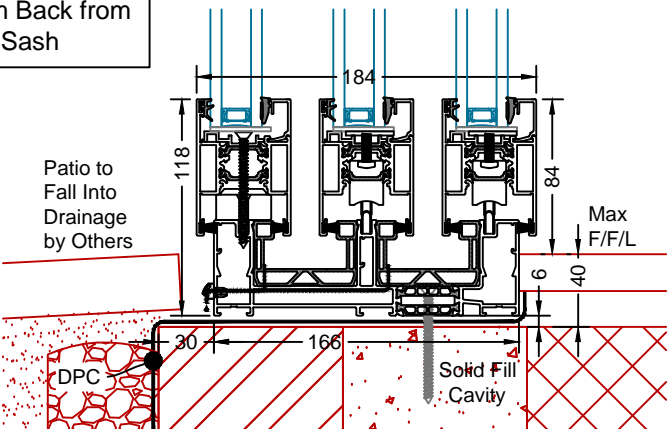


Triple Track  
With Internal  
Flush Floor Detail

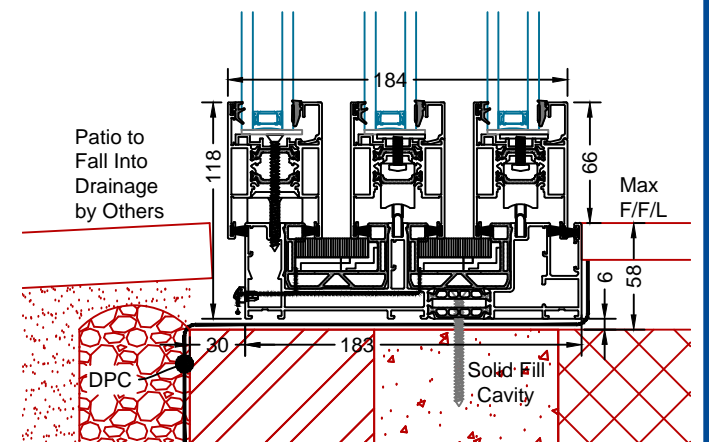


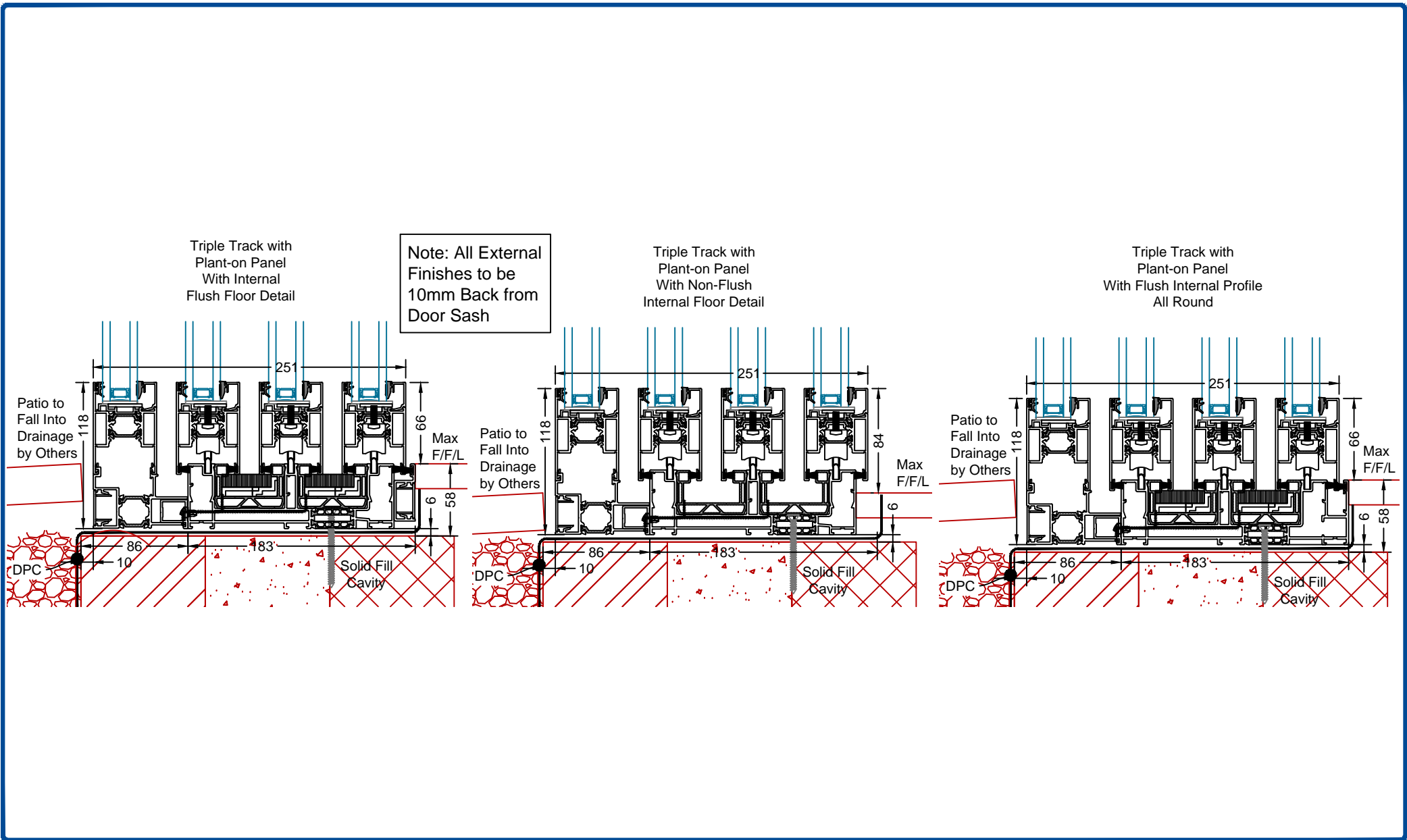
Note: All External  
Finishes to be  
10mm Back from  
Door Sash

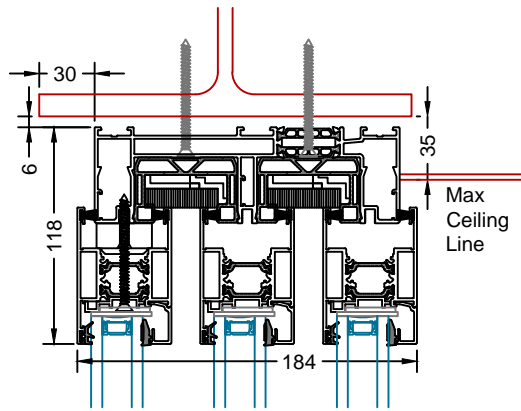
Triple Track  
With Non-Flush  
Internal Floor Detail



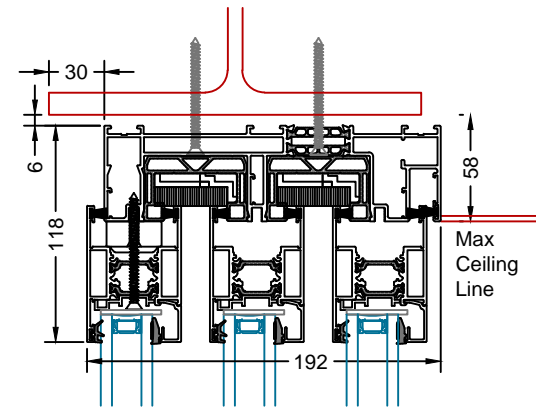
Triple Track  
With Flush Internal Profile All Round



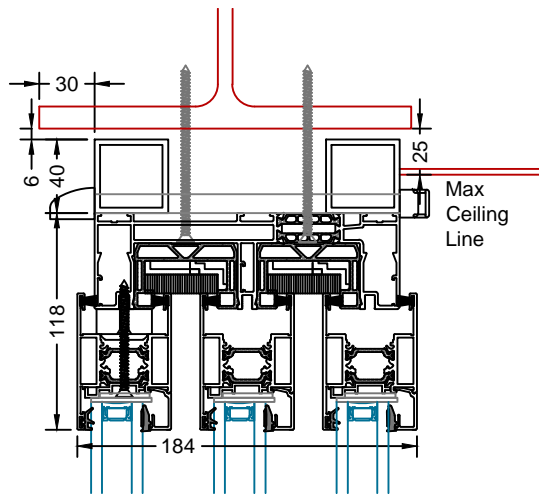




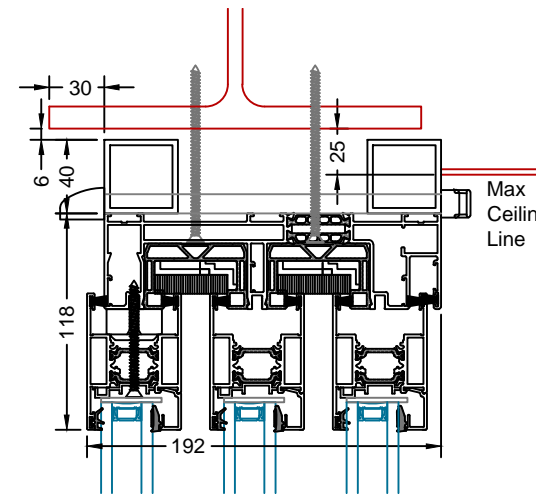
Triple Track



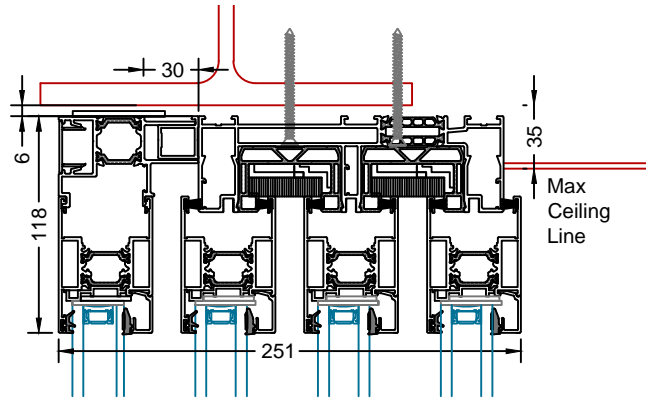
Triple Track  
With Flush Internal Profile All Round



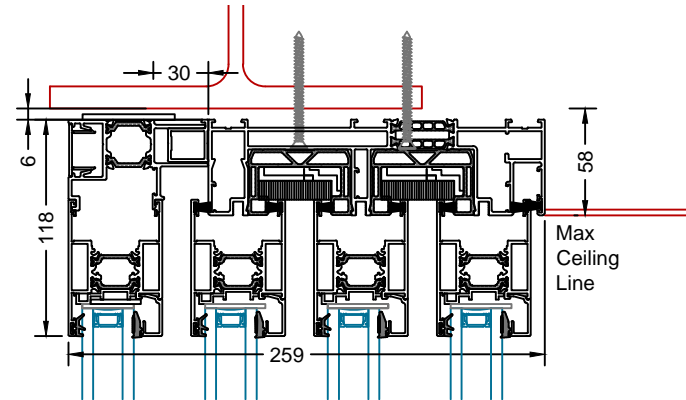
Triple Track  
With Trickle Vent



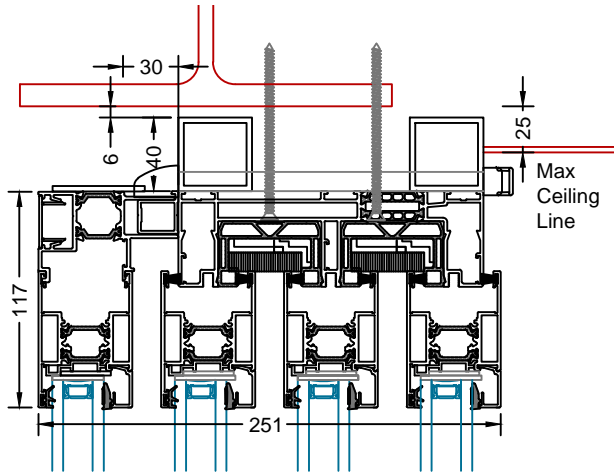
Triple Track  
With Flush Internal Profile All Round  
And Trickle Vent



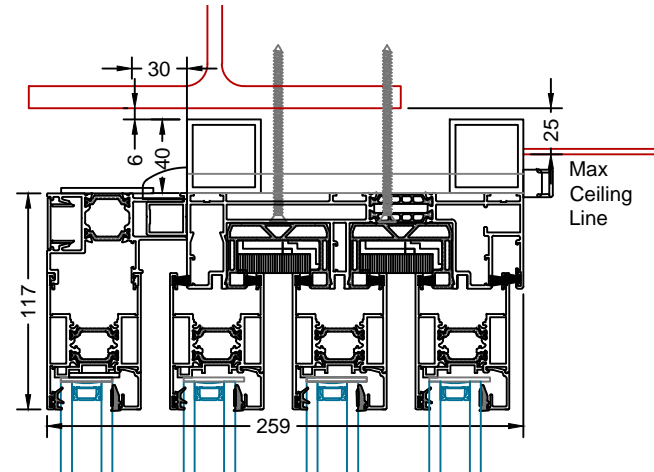
Triple Track with  
Plant-on Panel



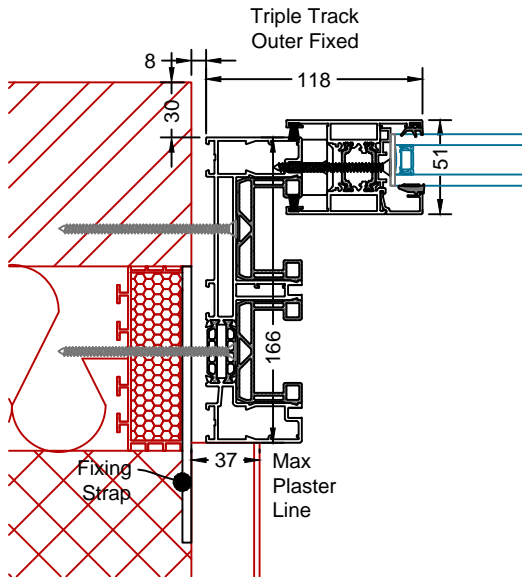
Triple Track And  
Plant-on Panel  
With Flush Internal Profile All Round



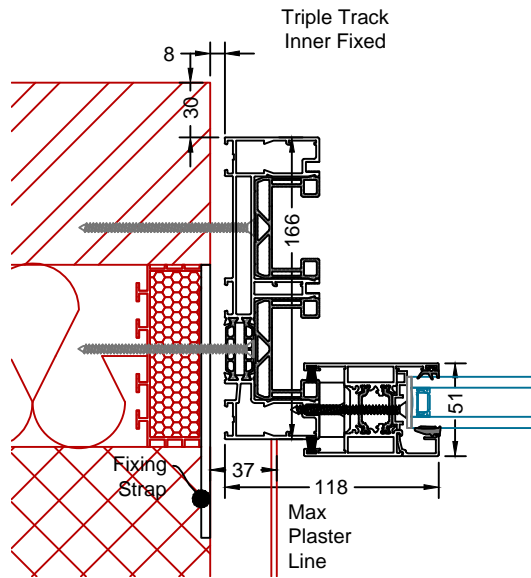
Triple Track And Plant-on Panel  
With Trickle Vent



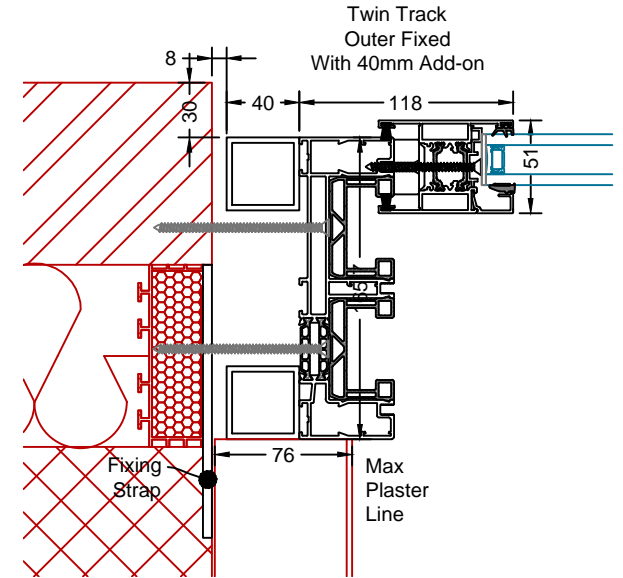
Triple Track And  
Plant-on Panel  
With Flush Internal Profile All Round  
And Trickle Vent



Triple Track  
Outer Fixed



Triple Track  
Inner Fixed

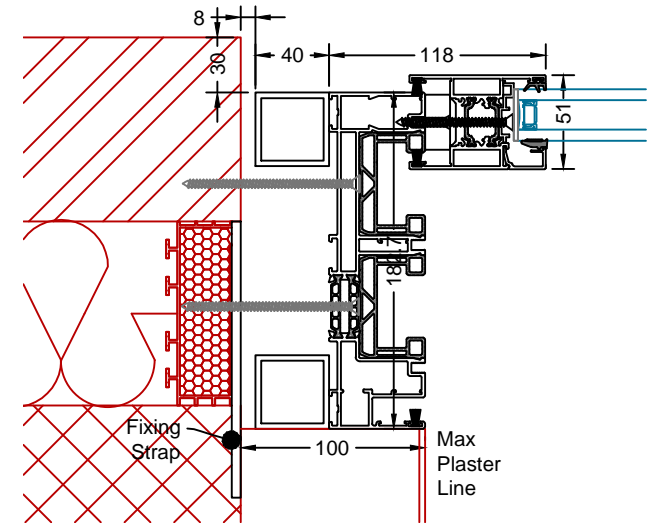
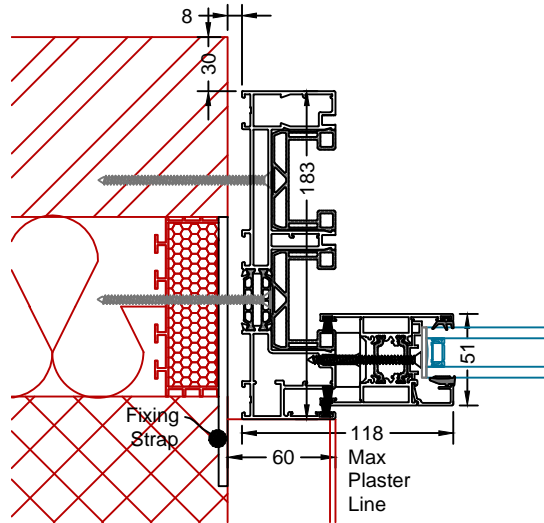
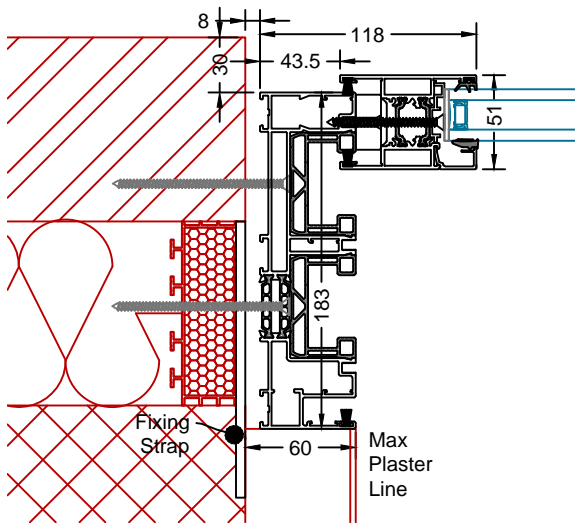


Twin Track  
Outer Fixed  
With 40mm Add-on

Triple Track  
With Flush Internal Profile All Round  
Outer Fixed

Triple Track  
With Flush Internal Profile All Round  
Inner Fixed

Twin Track  
With Flush Internal Profile All Round  
Outer Fixed With 40mm Add-on



Description: Grand Slider II Triple Track Jamb Details - Fixed Panel

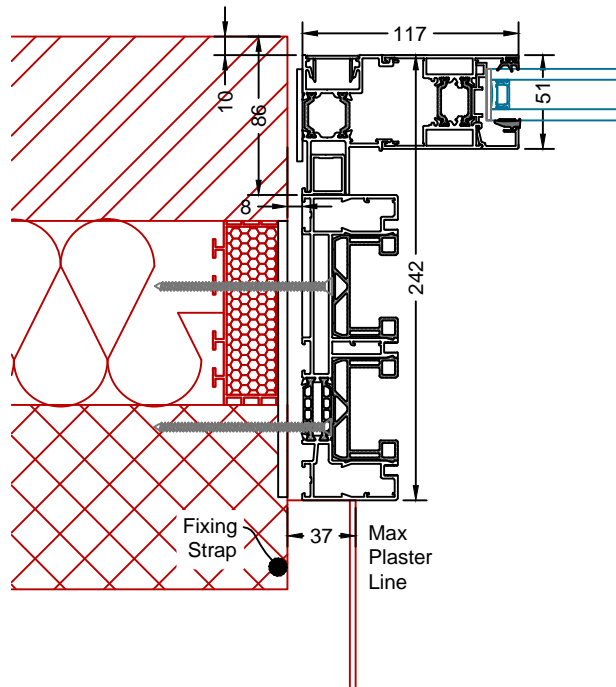
System: IDS166

Rev.

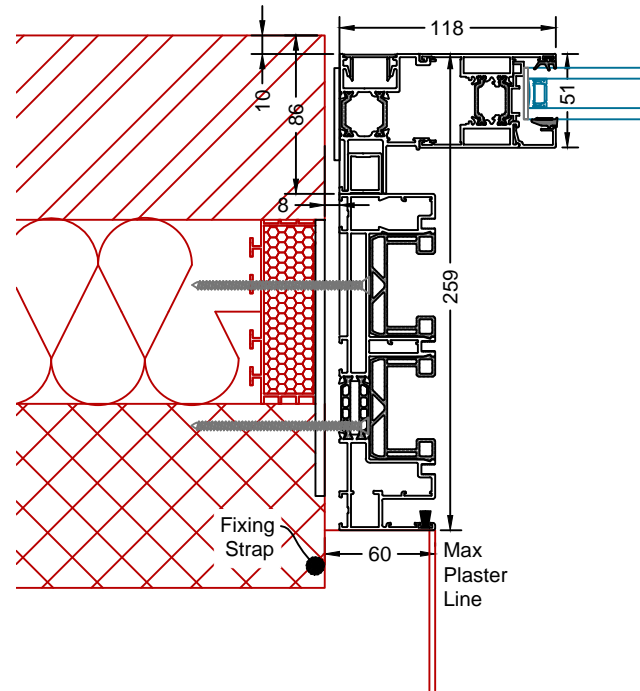
Page: A06

A

Triple Track with  
Plant-on Panel

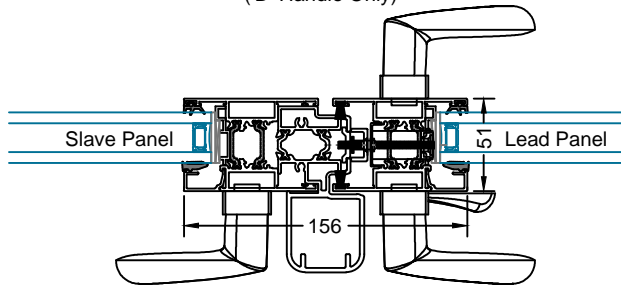


Triple Track And  
Plant-on Panel  
With Flush Internal Profile All Round



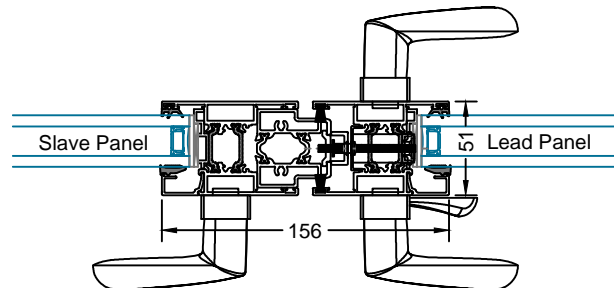


Triple Track  
Centre Meeting  
Closing Rebate  
Reinforcement Profile  
(‘D’ Handle Only)

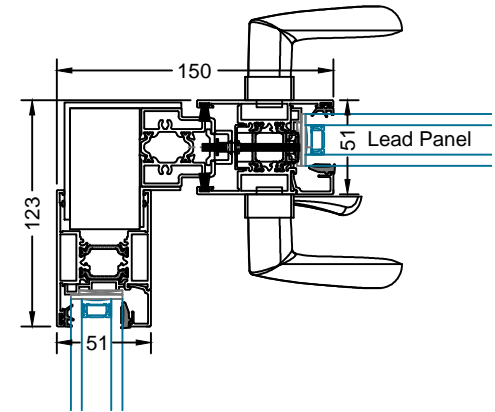


May Be Required In Exposed Locations

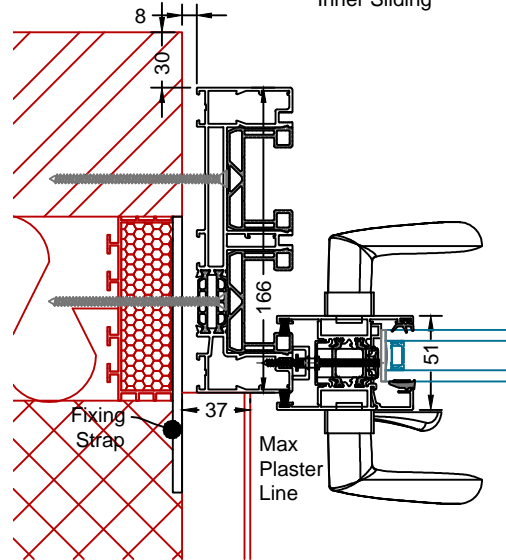
Centre Meeting  
Closing Rebate



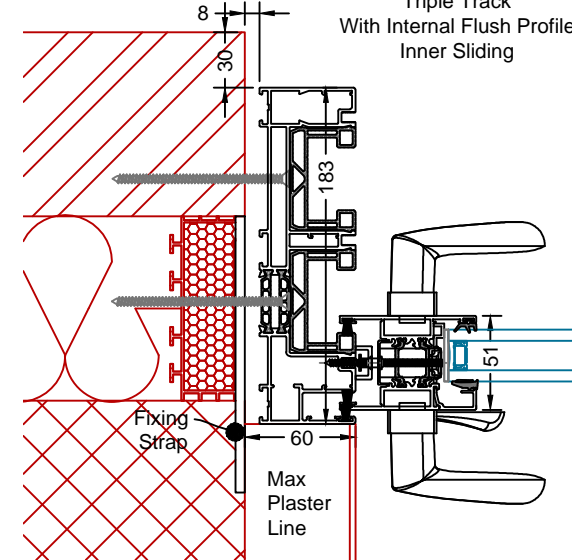
Centre Meeting  
Closing Rebate 90°



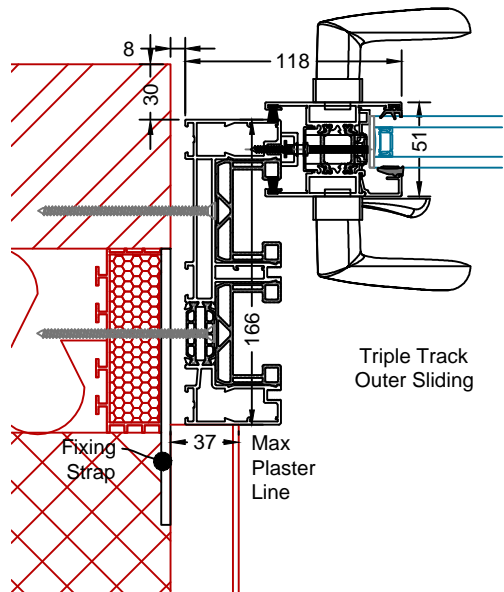
Triple Track  
Inner Sliding



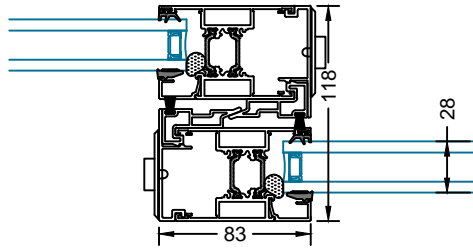
Triple Track  
With Internal Flush Profile  
Inner Sliding



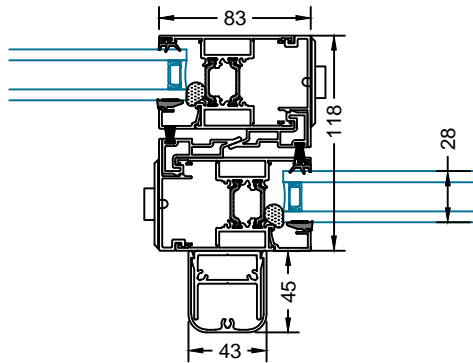
Triple Track  
Outer Sliding



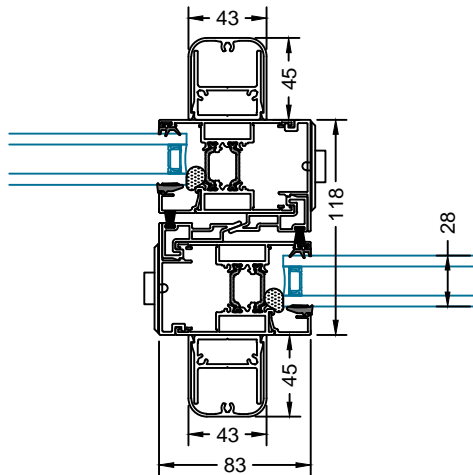
For Profile Limitations,  
See Section E



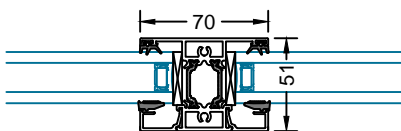
Standard Mullion



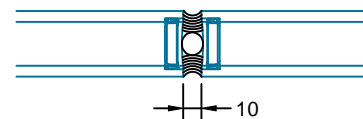
Standard Mullion  
with Internal Reinforcement



Standard Mullion  
with Internal and External  
Reinforcement

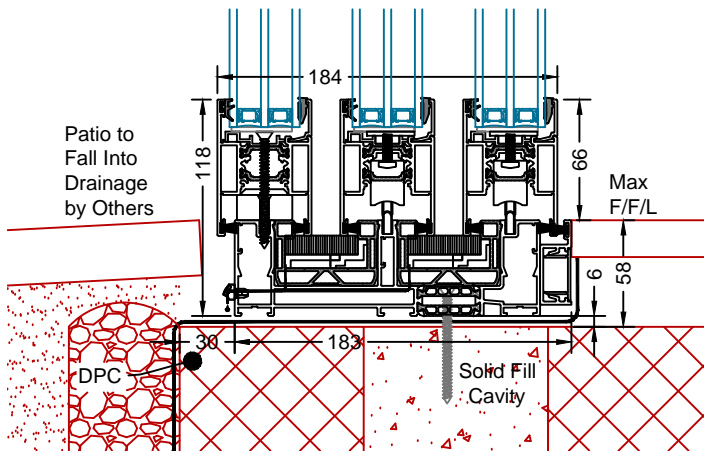


Door Sash  
Mullion / Transom

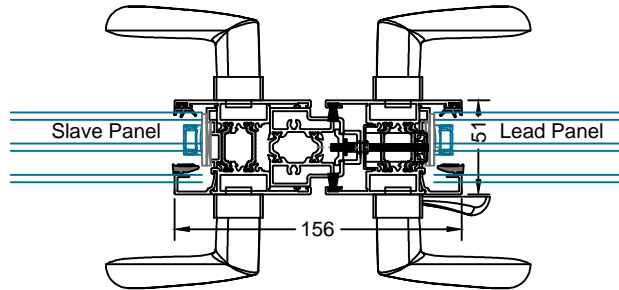


In-Line Glass to Glass Joint

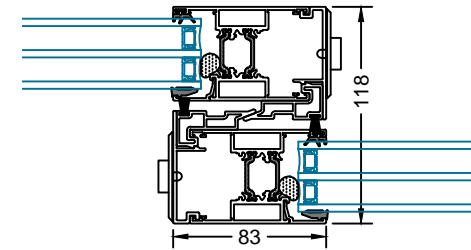
Triple Track  
With Internal  
Flush Floor Detail



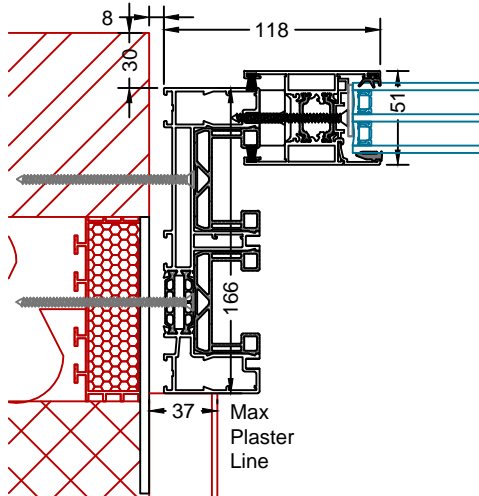
Centre Meeting  
Closing Rebate



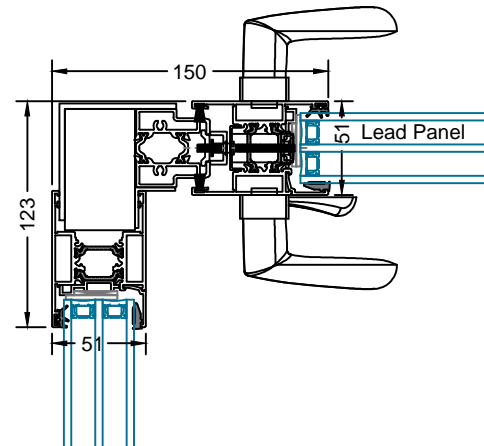
Standard Mullion  
Triple Glazed



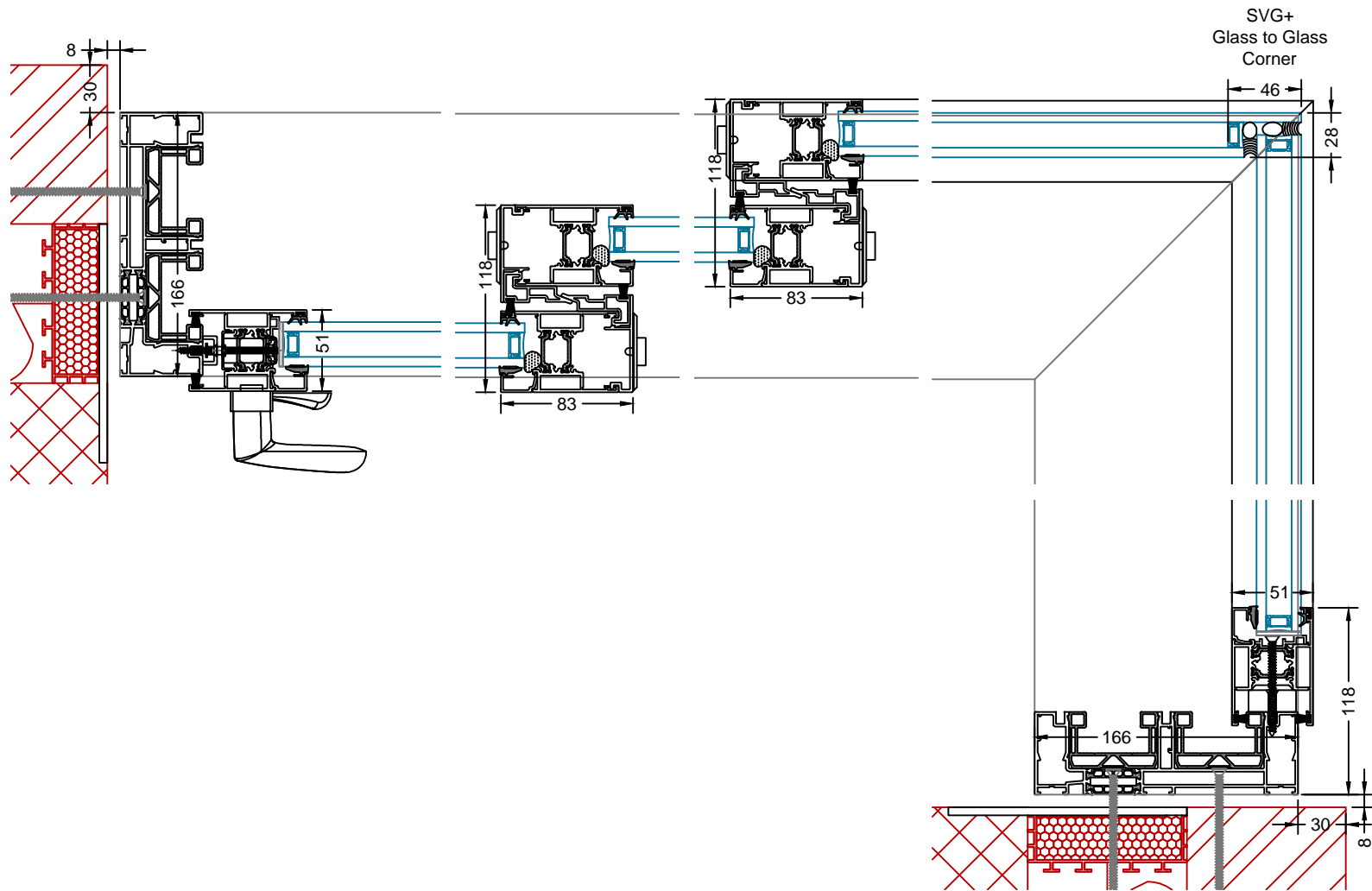
Triple Track  
Outer Fixed

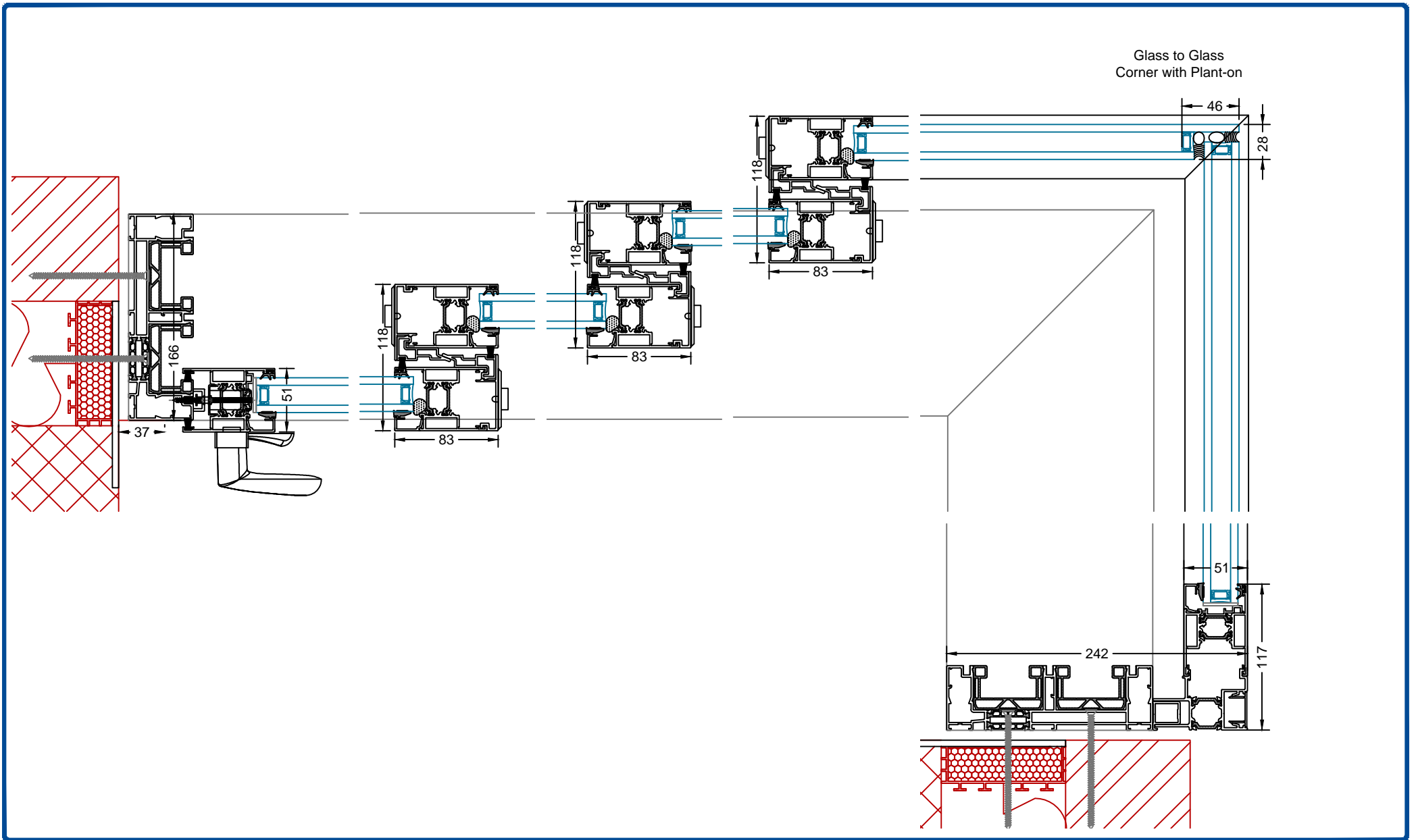


Sliding Corner Post  
(inside Track Only)



Note: All Previous  
Details are Available  
in 38mm Triple Glazed

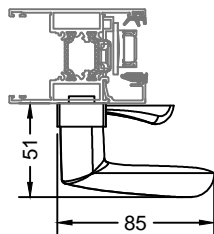
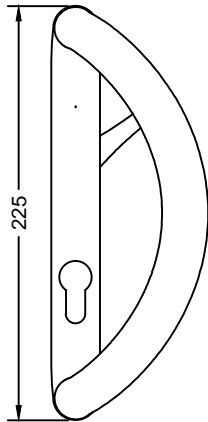




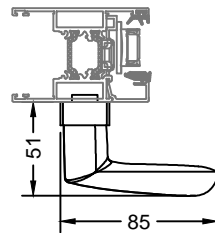
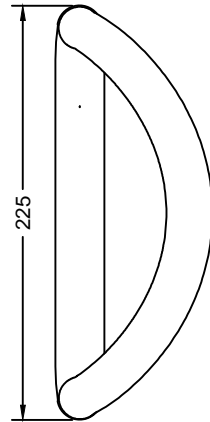
# GRAND SLIDER II (Triple Track)

## HARDWARE OPTIONS

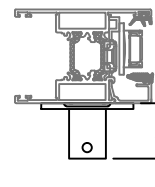
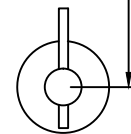
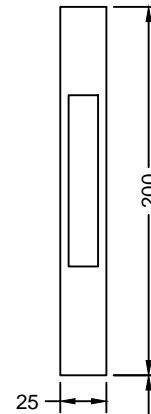
'D' Shaped Handle  
Lead Panel



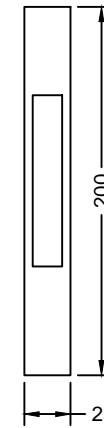
'D' Shaped Handle  
Slave Panel



Recessed Handle  
Lead Panel

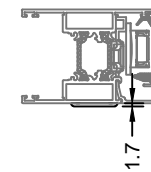


Recessed Handle  
Slave Panel

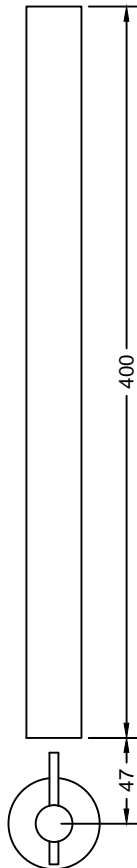


Snib Turn  
(stainless Steel Finish Only)

Escutcheon  
(stainless Steel Finish Only)



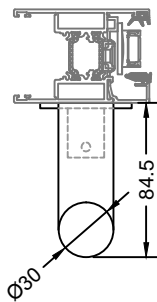
Straight Handle  
Lead Panel



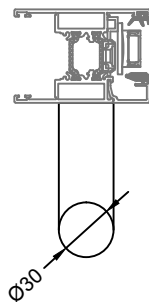
Snib Turn  
(stainless Steel Finish Only)



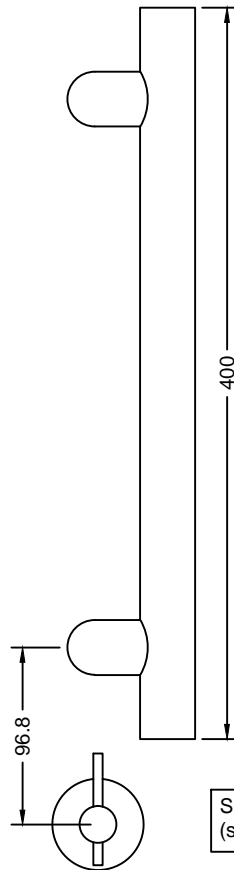
Escutcheon  
(stainless Steel Finish Only)



Straight Handle  
Slave Panel



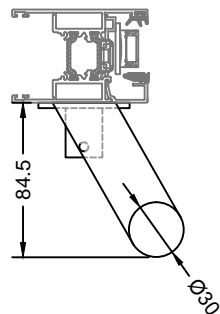
Cranked Handle  
Lead Panel



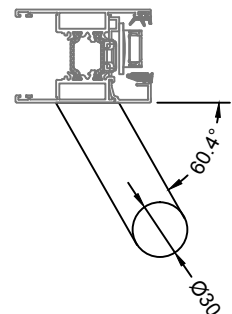
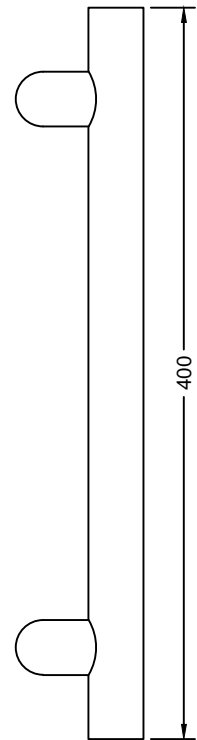
Snib Turn  
(stainless Steel Finish Only)



Escutcheon  
(stainless Steel Finish Only)



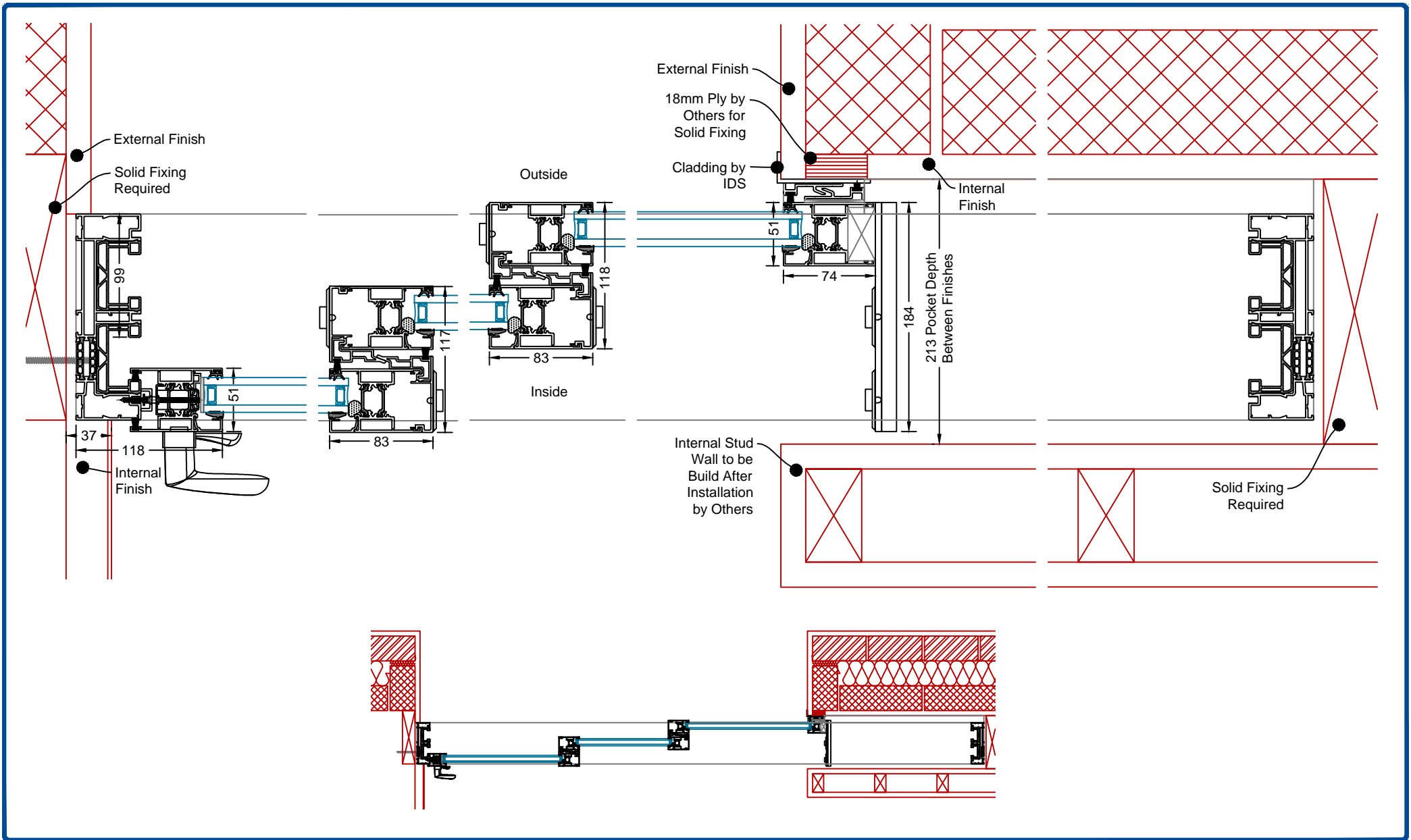
Cranked Handle  
Slave Panel





# GRAND SLIDER II (Triple Track)

## POCKET SLIDER TYPICAL SECTIONS



Description: Grand Slider II Triple Track Three Panel Pocket Typical Detail

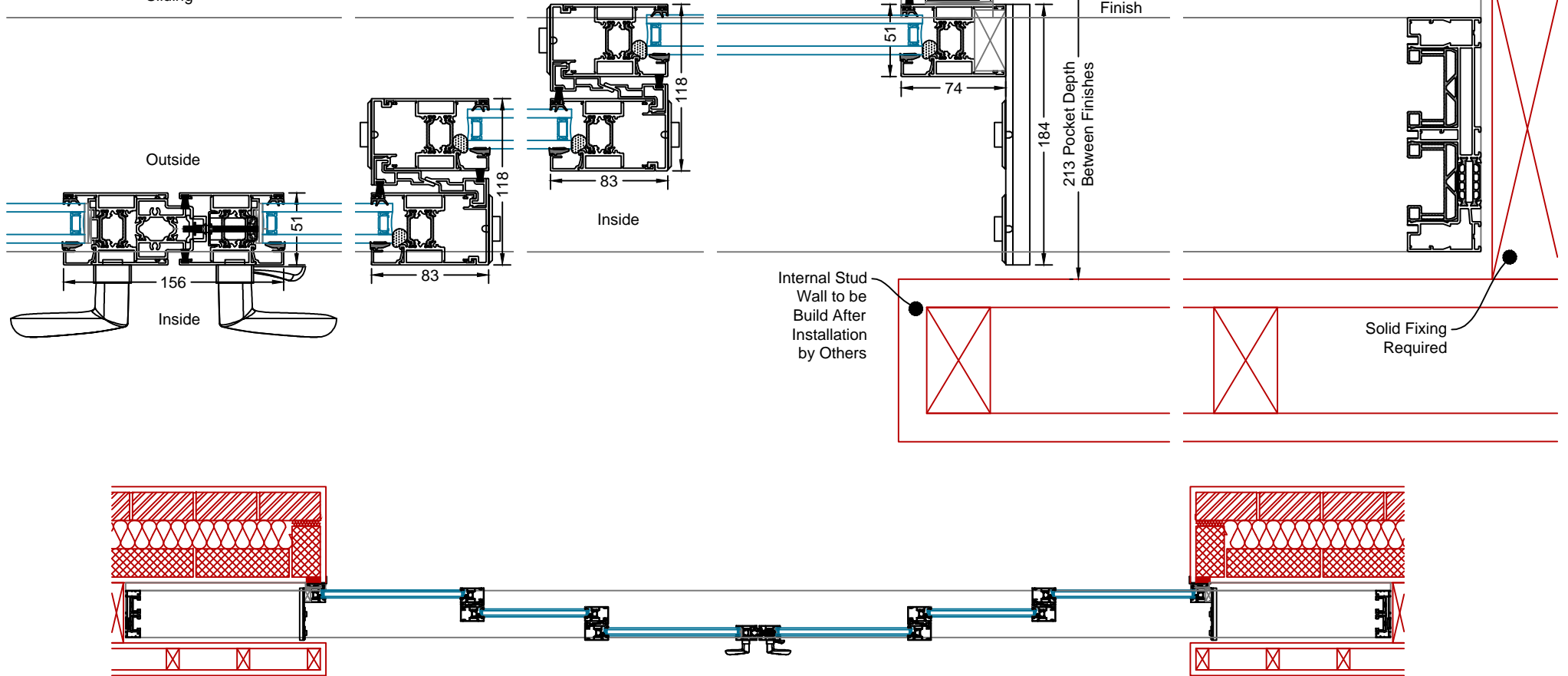
System: IDS166

Rev.

Page: C02

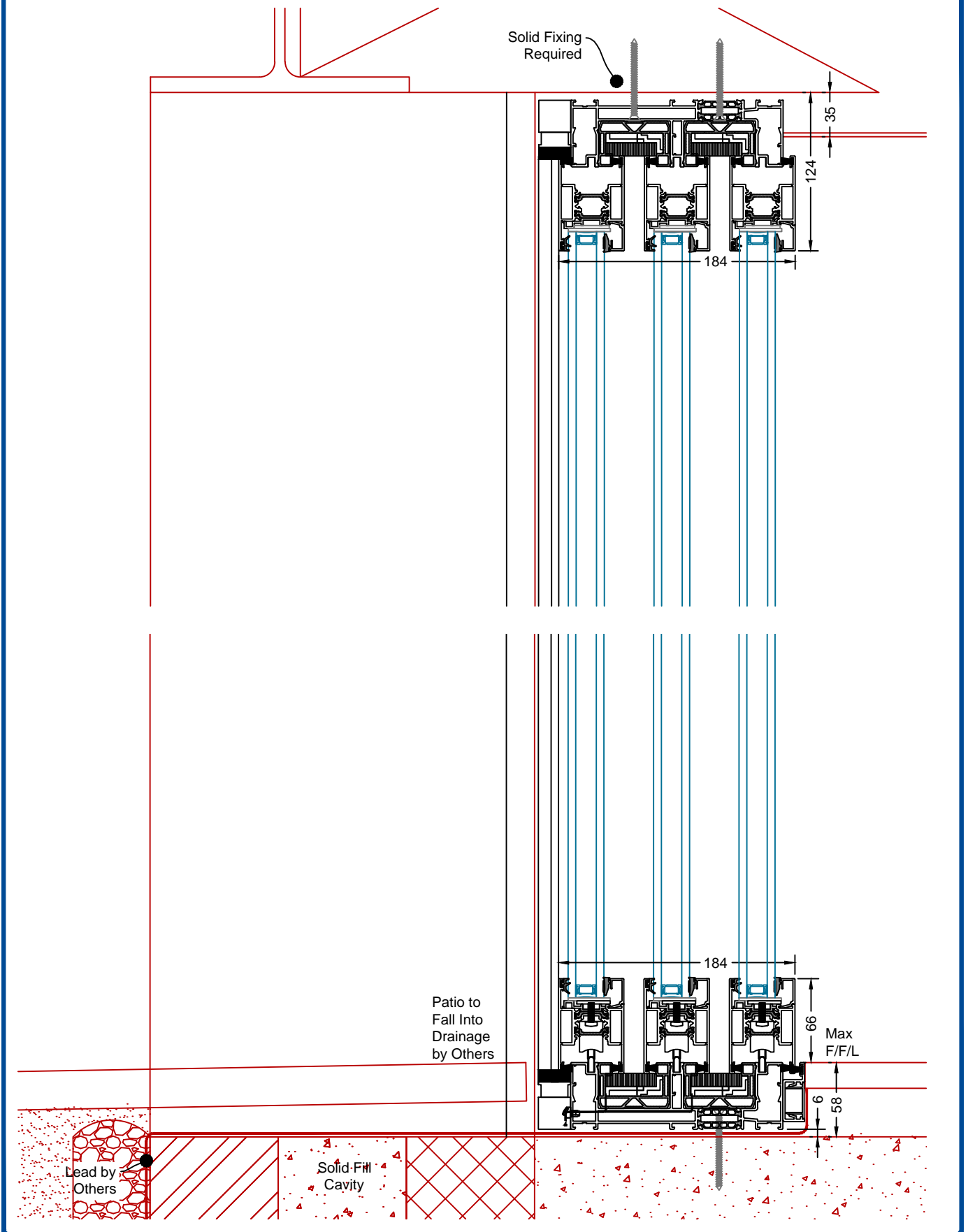
A

SVG+  
Triple Track  
6 Panel  
Sliding



Description: Grand Slider II Triple Track Six Panel Pocket Slider Typical Detail

System: IDS166	Rev.
Page: C03	A



Description: Grand Slider II Triple Track Pocket Typical Detail

System: IDS166

Rev.

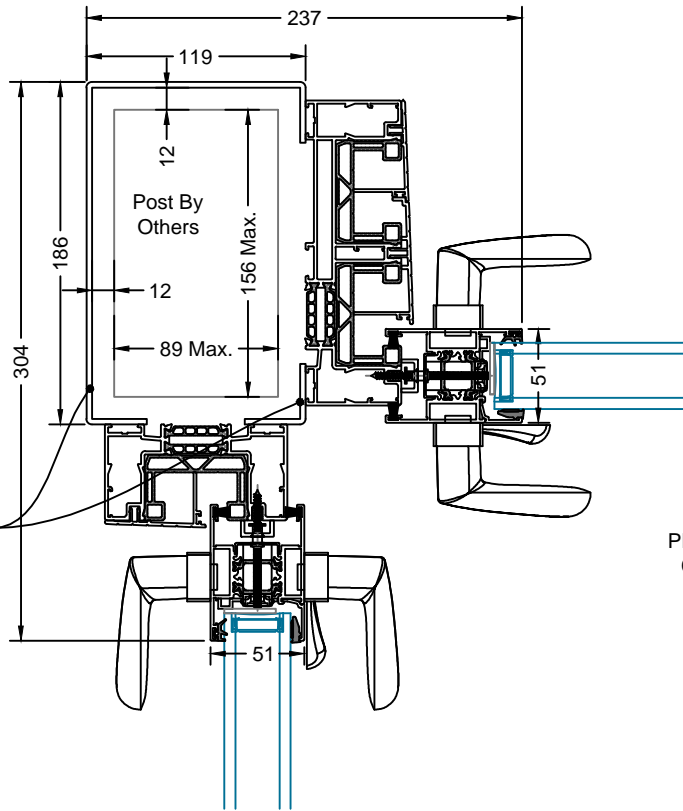
Page: C04

A

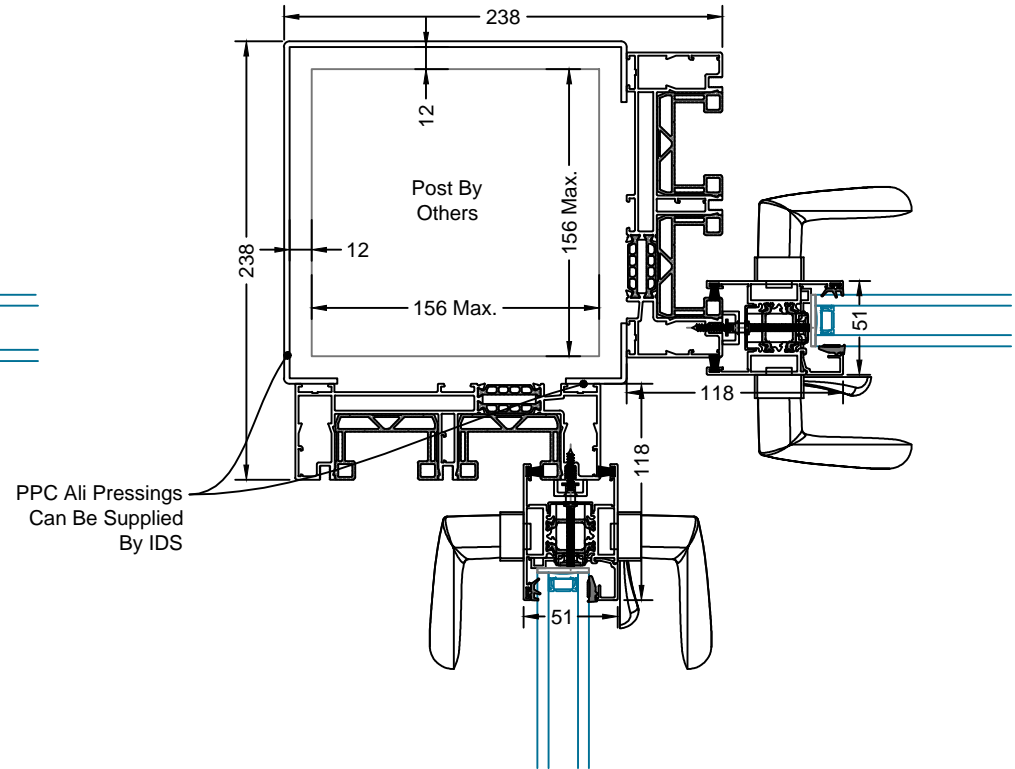
# GRAND SLIDER II (Triple Track)

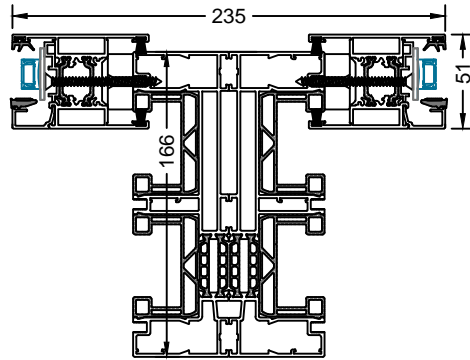
## COUPLING DETAILS

Twin Track  
And Triple Track  
Fixed Corner Post

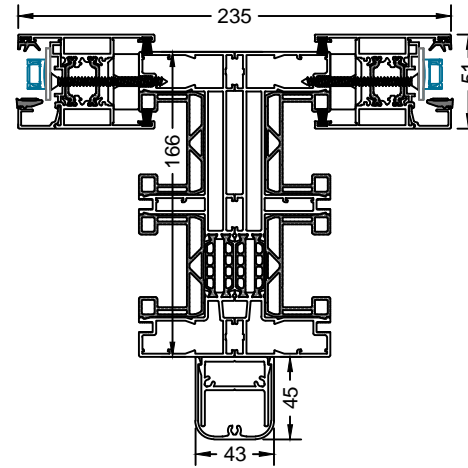


Triple Track  
Fixed Corner Post

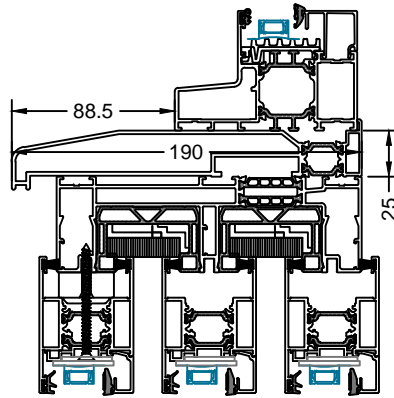




Slider/Slider



Slider/Slider  
Heavy Duty

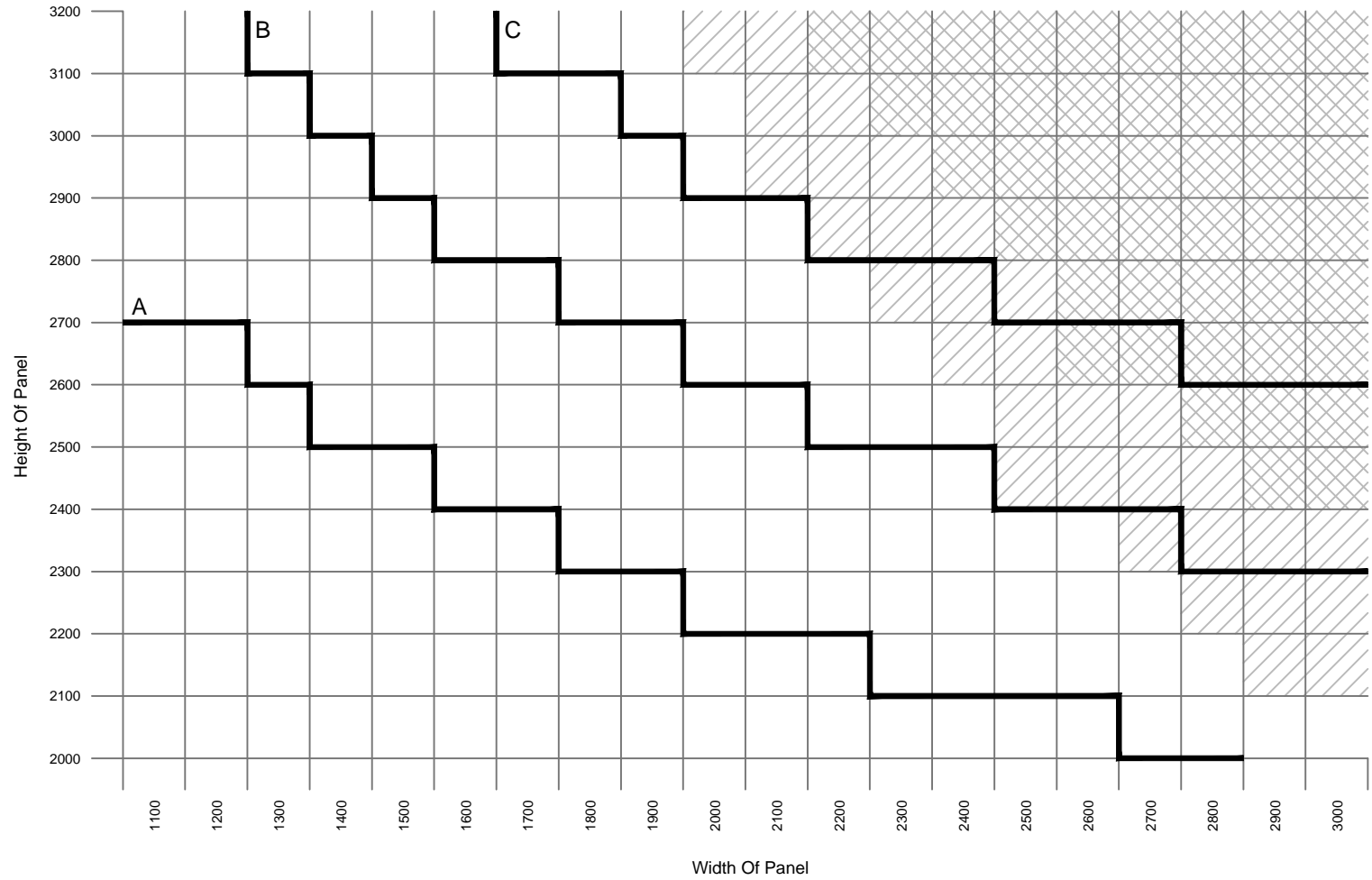
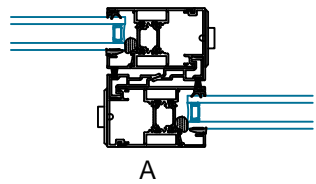
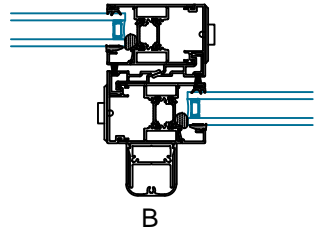
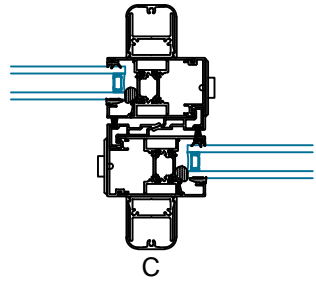




For Profile Limitations,  
See Section E



# GRAND SLIDER II (Triple Track)

## STATICS



 Panel Weight 250-350kg\*  
 Reinforced Track & No Guarantee  
  
 350kg+\* Not Recommended  
 No Guarantee

\* Weights based on minimum recommended glass thickness

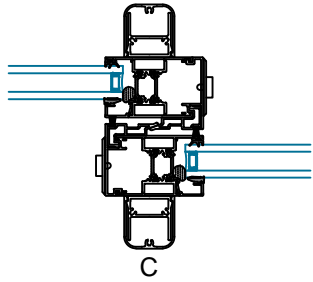
Sheltered Location 750Pa  
(eg Central London Ground Floor)



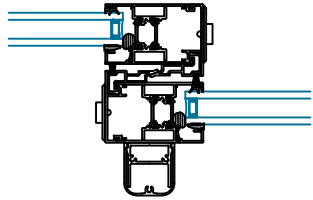
Description: Grand Slider II Maximum Panel Heights (Sheltered)

System: IDS166  
Page: E02

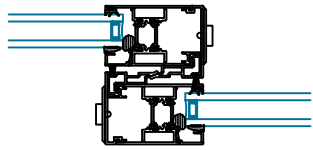
Rev. A



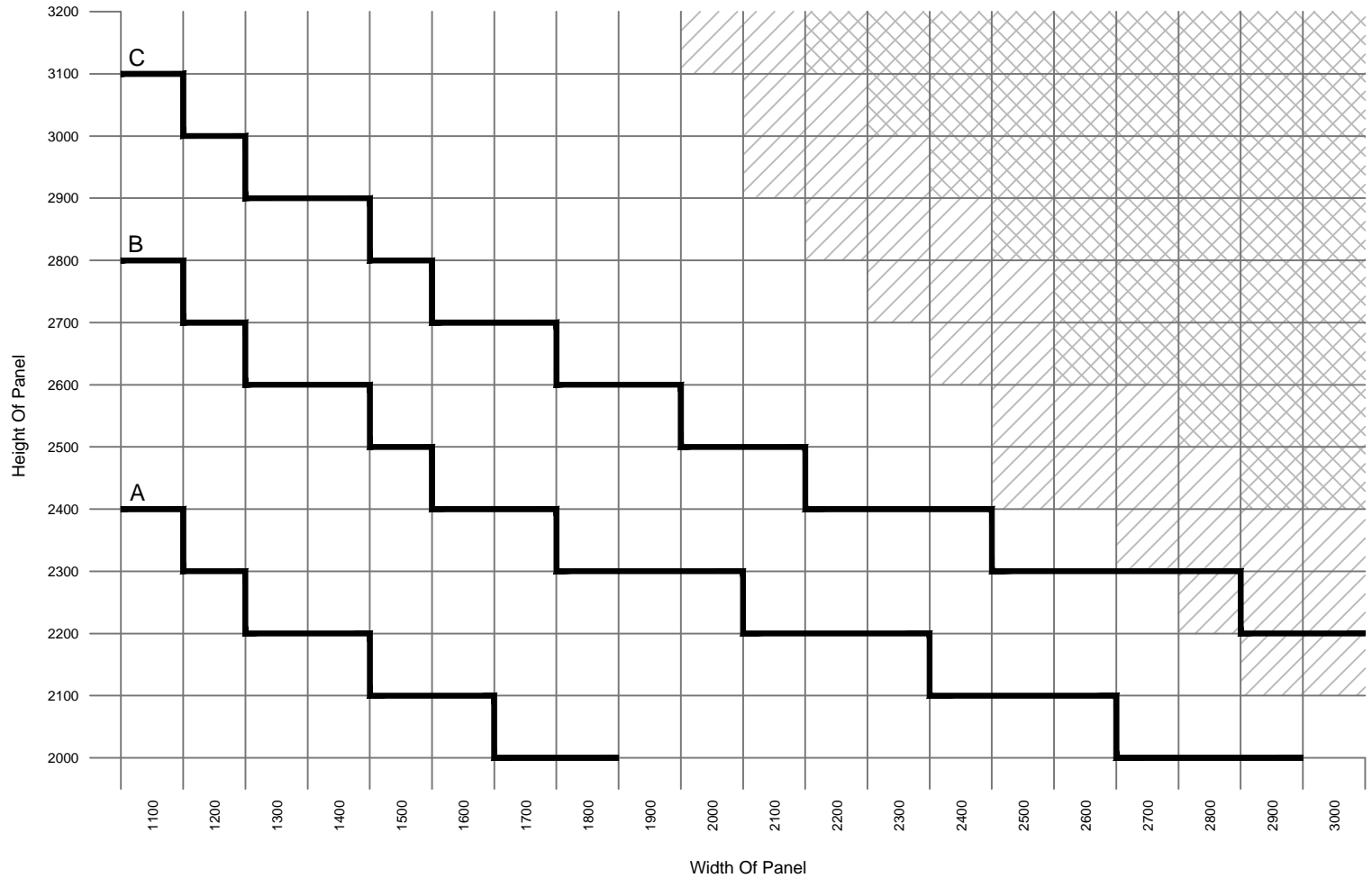
C



B



A



 Panel Weight 250-350kg\*  
Reinforced Track & No Guarantee  
 350kg+\* Not Recommended  
No Guarantee

\* Weights based on minimum recommended glass thickness

Rural Location 1200Pa  
(eg North Yorkshire)



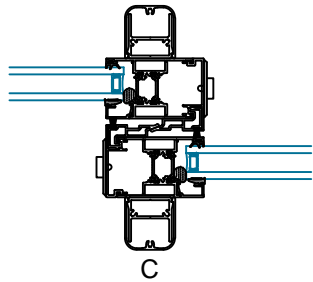
Description: Grand Slider II Maximum Panel Heights (Rural)

System: IDS166

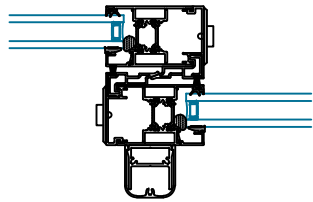
Rev.

Page: E03

A



C

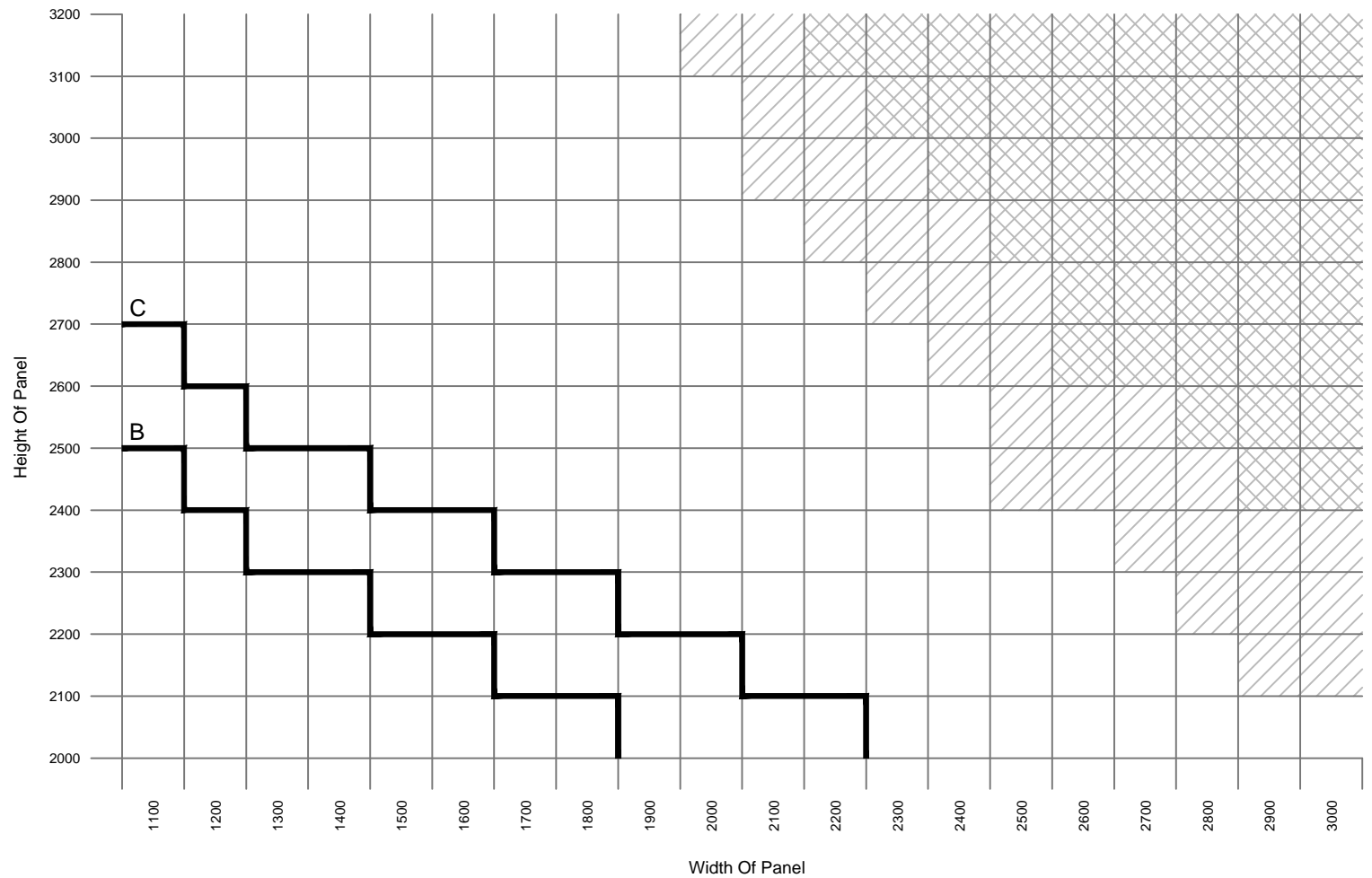


B

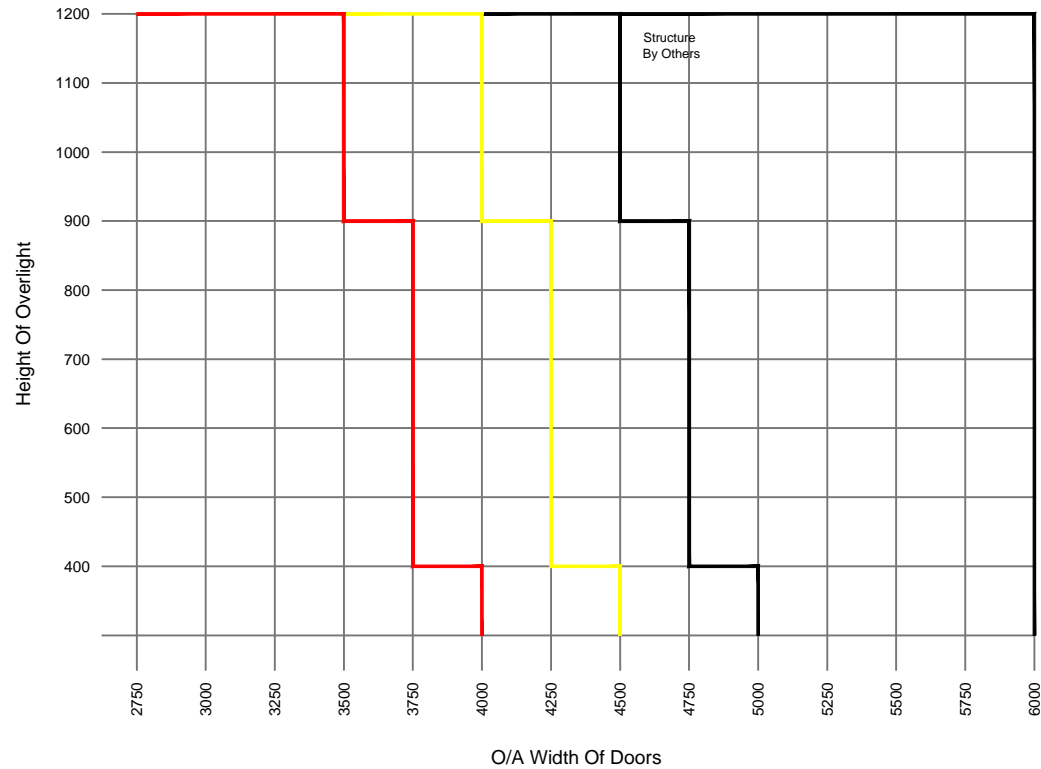
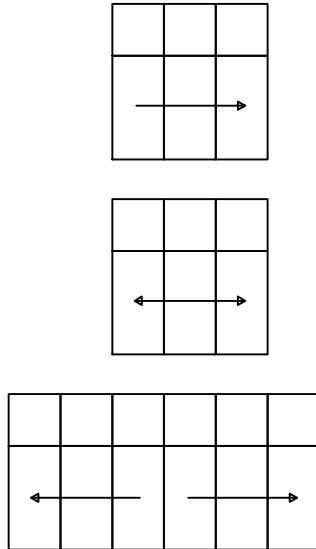
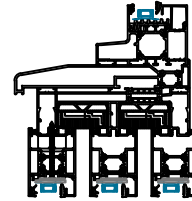
Panel Weight 250-350kg\*  
Reinforced Track & No Guarantee

350kg+\* Not Recommended  
No Guarantee

\*Weights based on minimum recommended glass thickness



Fully Exposed Location 1700Pa  
(eg Rural South Coast)



NOTE All calculations assume the following;  
 Doors at maximum of 2500mm high.  
 Glass in overlights to be maximum 6mm inner and outer panes.  
 Openings assumed to be a ground level and not requiring to meet Part K for barrier loading.

If customers design falls outside parameters shown it may still be possible but will need to be confirmed by the Design Office.

- Max. O/A Door Width @ 750pa
- Max. O/A Door Width @ 1200pa
- Max. O/A Door Width @ 1700pa