

Profile system

- Frameless all-glass slide and turn system
- Option of flush or weathered bottom track
- Optionally with lateral aluminium panel profiles to close the ventilation gap
- The flush bottom track is particularly suitable for use in „Barrier-free dwellings“ according to DIN 18 025
- Panels can be stacked open either internally or externally
- Opening of panels by sliding to one side or to both sides
- Optionally with or without lateral vertical frame profiles
- Height variations can be compensated by a height compensation profile

Tests

- Airborne sound insulation $R_w = 22$ dB according to DIN EN ISO 140-3
- Airborne sound insulation $R_w = 34$ dB according to DIN EN ISO 140-3, with PVC gap gasket
- Airborne sound insulation $R_w = 34$ dB according to DIN EN ISO 140-3, with lateral aluminium panel profiles
- Measurement of deflection class 3 according to DIN EN 12211/12210 (8, 10 mm glass)
- Measurement of deflection class 4 according to DIN EN 12211/12210 (8, 10 mm glass), with lateral alu. panel profiles
- Repeated pressure/wind suction class 3 according to DIN EN 12211/12210 (8, 10 mm glass)
- Repeated pressure/wind suction class 4 according to DIN EN 12211/12210 (8, 10 mm Glas), with lateral alu. panel profiles
- Safety test class 3 according to DIN EN 12211/12210 (8, 10 mm glass)
- Safety test class 4 according to DIN EN 12211/12210 (8, 10 mm Glas), with lateral aluminium panel profiles

Fittings

- All fittings are concealed within the profiles
- Low-maintenance, non-corroding and failsafe fittings
- Inside and/or outside locking and unlocking possible
- Locking and unlocking via pull rod or turning knob
- Optionally with lever lock („child-proof“)

Running assembly

- Top running, low-maintenance horizontal running assemblies, each equipped with two rollers
- The running assemblies feature each three smooth-running needle bearings and two carbon fibre reinforced polyamide rollers
- Running assemblies out of stainless steel metal components
- Low-noise, low-wear, heat and cold resistant running surfaces
- Running assemblies pivot at any angle between 90° and 180°

Sealing and ventilation

- Ventilation gap of approximately 1-4 mm
- Optionally with transparent PVC-gap gasket to close the ventilation gap
- Optionally with aluminium profiles to close the ventilation gap
- Brush gaskets are fitted horizontally at the top and bottom on the inside and outside
- Lower and upper brush gaskets are attached to the panel frames and not to the bottom track

Glazing

- 6, 8, 10 and 12 mm tempered safety glass panes (ESG-H)
- Panes secured via concealed screw-fixing system in top and bottom panel profiles
- Subsequent replacement of panes without difficulty
- Subsequent replacement of panels without difficulty

Drainage

- Unpressurised drainage via inclined floor construction
- Integrated water drainage channel on inside of bottom track
- End-caps for lateral sealing of bottom track



tested SUNFLEX quality

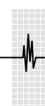


Test Report 40-31/13
and Nr.40-32/13

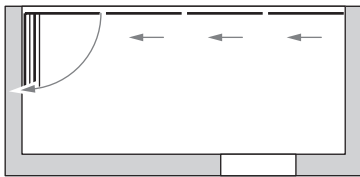
SG - Bauakustik

Institut für schalltechnische Produktoptimierung

Test Report 1238-001-09
and 1238-002-09

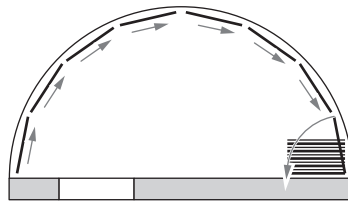


Straight Systems

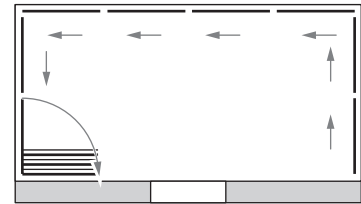


more special Systems on request

Segmented Systems



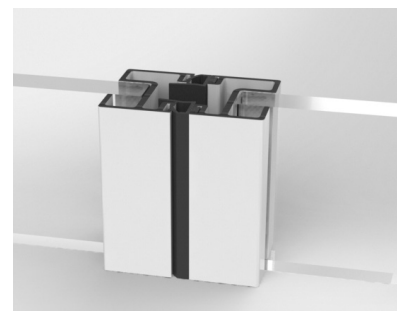
Angle Solutions 90°-180°



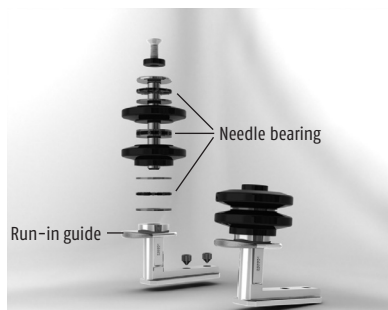
Standard



with PVC gap gasket



with lateral aluminium panel profiles



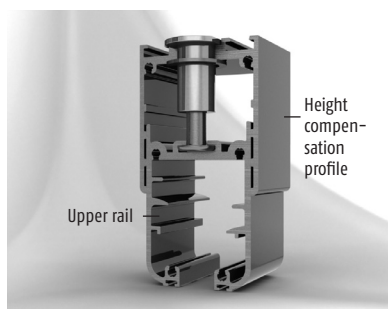
- Completely new, stainless carriage system
- Arched run-in guide



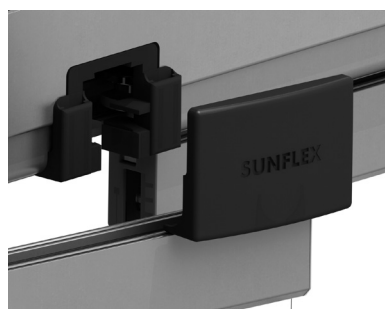
- New panel profile end caps for 6, 8 and 10 mm including pick-up for glass panel t-slot nut and cover clip fixing device
- Panel guidance for recessed floor rail



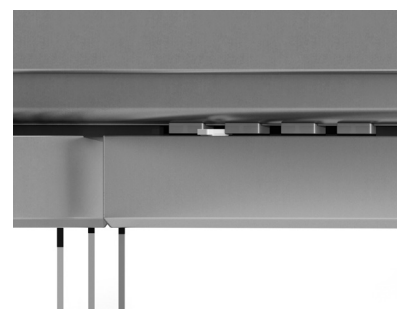
Turning knob



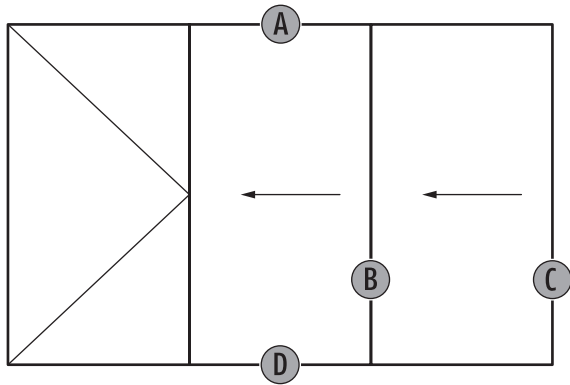
- Slightly arched running surfaces for carriage to improve running features
- Modified height compensation profile allows an adjustment of up to 22 mm



Carriage recess optionally available without guide arm but with covering flap

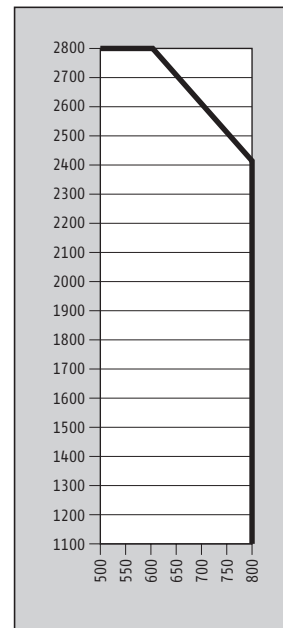


Optimal panel guidance without guide arm when opening and closing



Details at uneven panel partitioning in one direction

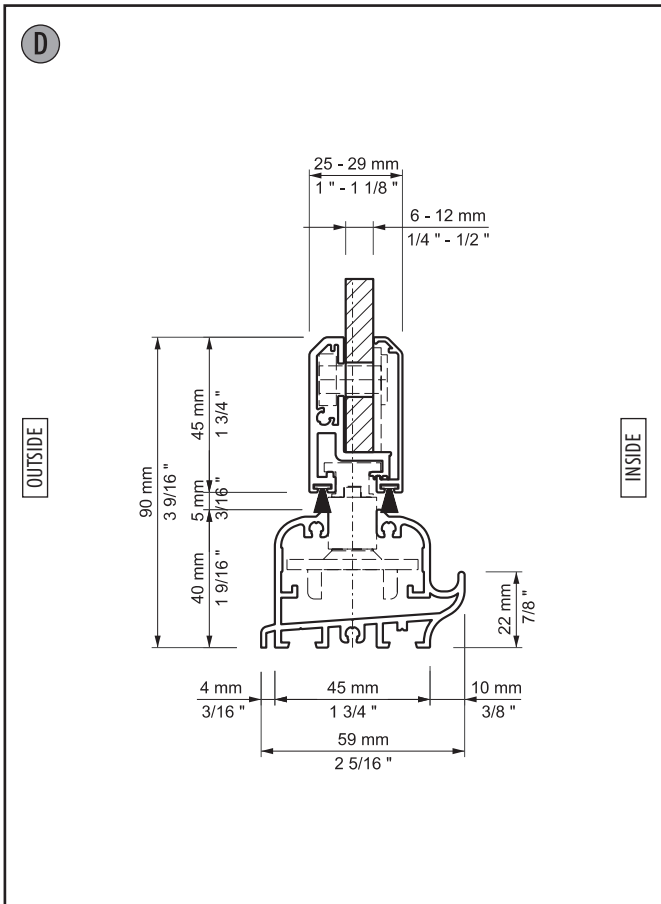
Panel size diagram



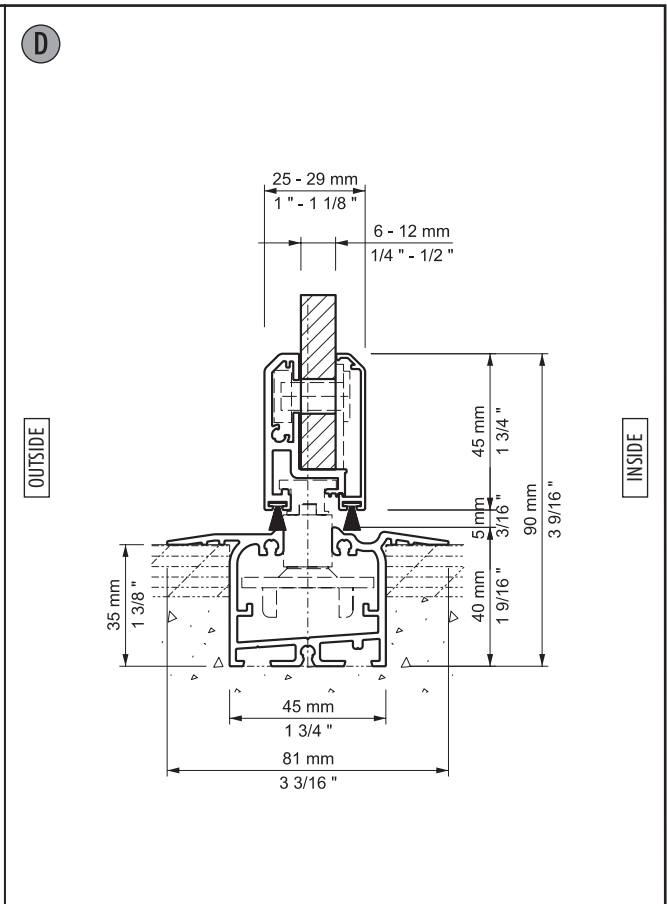
* For panel sizes exceeding 2600 mm – special inquiry

* Basis glazing 8 mm (25 kg/m²)

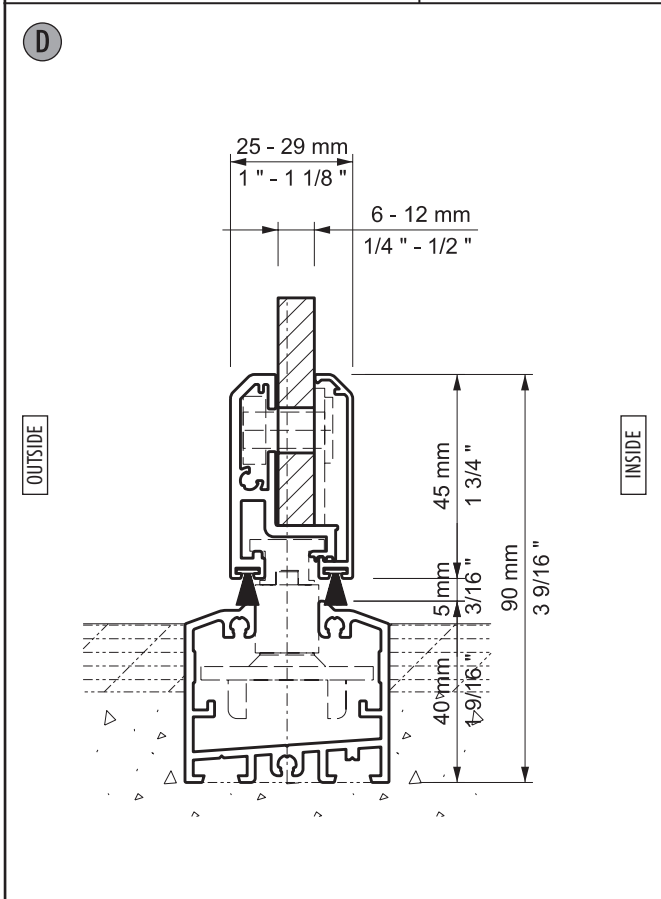
| Ref. | Section | Description | Page |
|------|----------|--|------|
| D | SF25-003 | Vertical-Section, bottom track | 4 |
| D | SF25-006 | Vertical-Section, flush bottom track | 4 |
| D | SF25-011 | Vertical-Section, flush bottom track with support profile | 4 |
| D | SF25-010 | Vertical-Section, bottom track | 4 |
| D | SF25-005 | Vertical-Section, bottom track on balustrade | 5 |
| D | SF25-004 | Vertical-Section, bottom track on balustrade and strengthening profile | 5 |
| A | SF25-001 | Vertical-Section, top track | 5 |
| A | SF25-002 | Vertical-Section, top track with height compensations profile | 5 |
| A | SF25-007 | Vertical-Section, height compensation profile with flange - horizontal | 6 |
| A | SF25-008 | Vertical-Section, overhead light connection with height compensation profile | 6 |
| A | SF25-009 | Vertical-Section, height compensation profile with flange - vertical | 6 |
| C | SF25-101 | Horizontal-Section, wall connection with rubber sealing profile | 6 |
| B | SF25-102 | Horizontal-Section, panel - panel | 7 |
| B | SF25-103 | Horizontal-Section, panel - panel 135°-bending | 7 |
| B | SF25-104 | Horizontal-Section, panel - panel 90°-bending | 7 |
| C | SF25-105 | Horizontal-Section, wall connection with profile | 7 |
| C | SF25-202 | Horizontal-Section, sidewise wall connection, with lateral aluminium panel profiles | 8 |
| C | SF25-203 | Horizontal-Section, panel - panel 90°-bending, with lateral aluminium panel profiles | 8 |
| B | SF25-201 | Horizontal-Section, panel - panel, with lateral aluminium panel profiles | 8 |
| B | SF25-204 | Horizontal-Section, turn panel - slide panel, with lateral aluminium panel profiles | 8 |



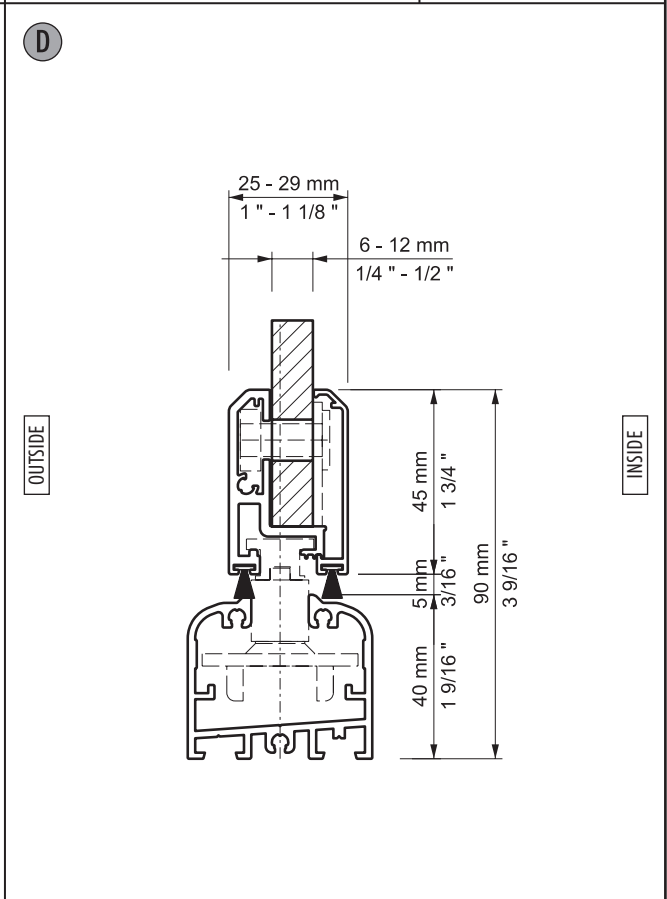
| | |
|--|----------------------|
| Description: Vertical-Section, bottom track | System: SF25 |
| | Detail-No.: SF25-003 |



| | |
|--|----------------------|
| Description: Vertical-Section, flush bottom track | System: SF25 |
| | Detail-No.: SF25-006 |

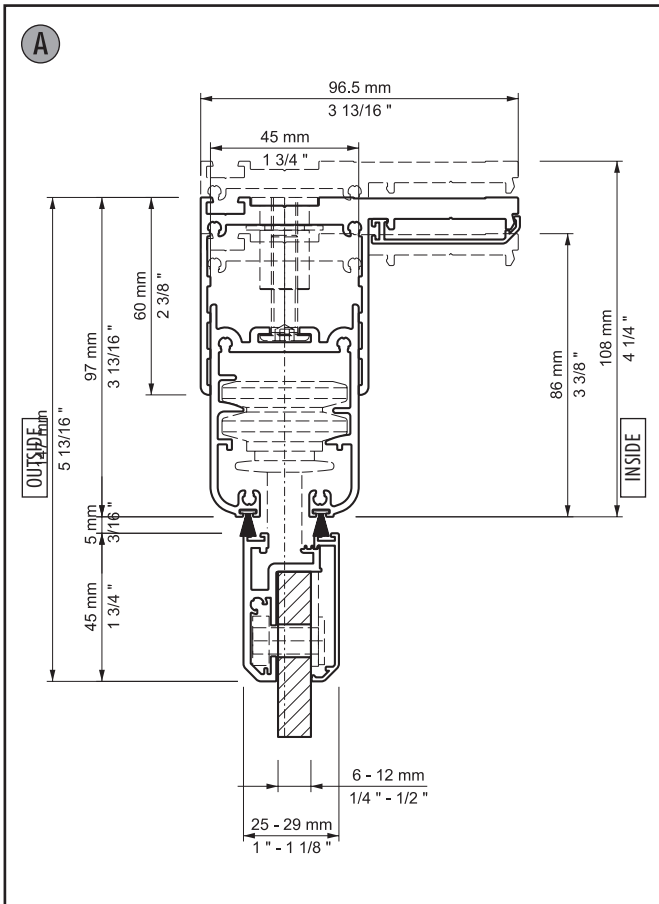


| | |
|--|----------------------|
| Description: Vertical-Section, flush bottom track with support profile | System: SF25 |
| | Detail-No.: SF25-011 |

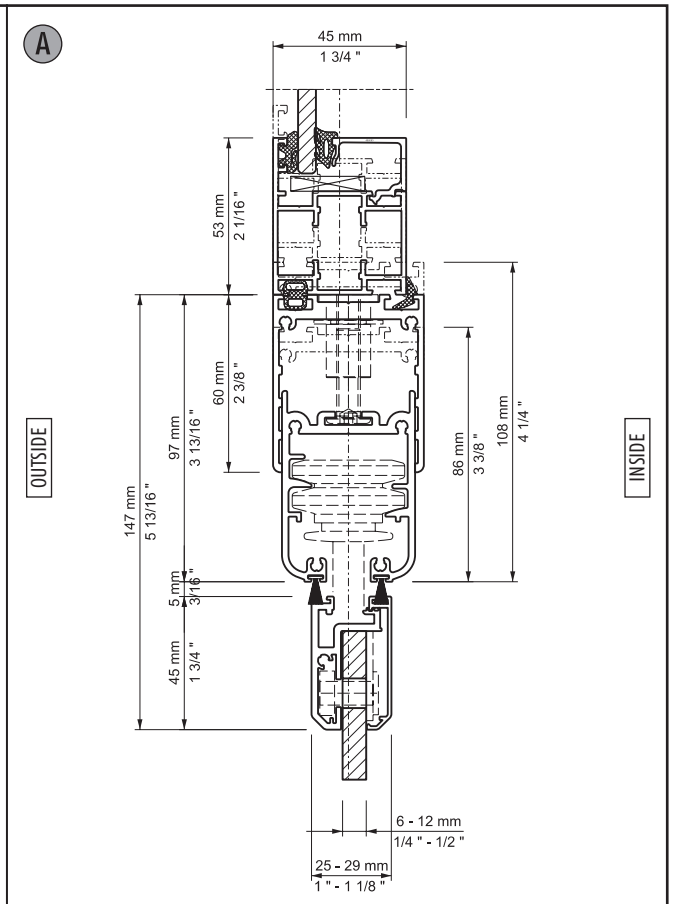


| | |
|--|----------------------|
| Description: Vertical-Section, flush bottom | System: SF25 |
| | Detail-No.: SF25-010 |

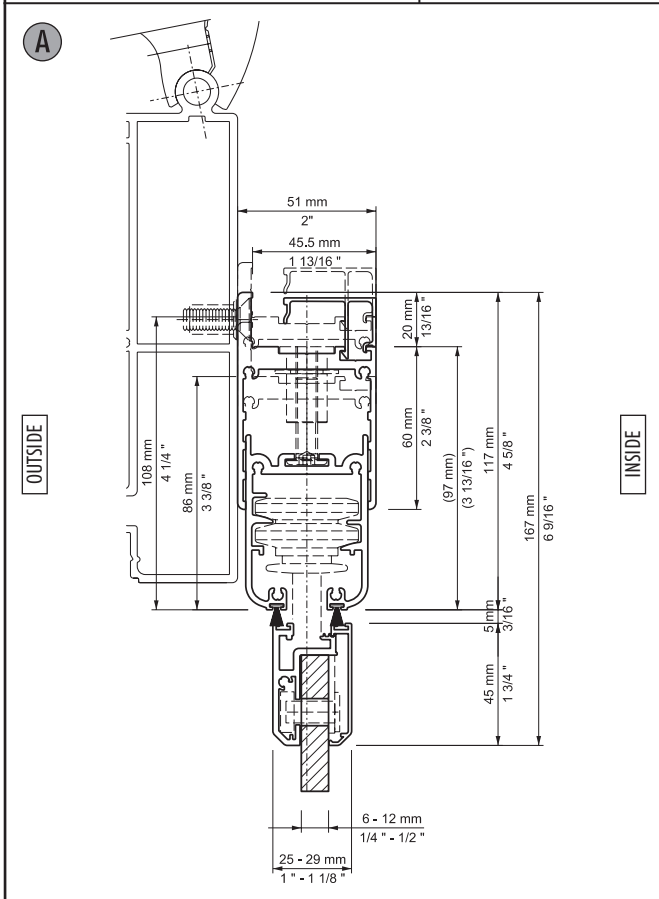
| | |
|---|--|
| <p>D</p> <p>OUTSIDE</p> <p>INSIDE</p> | <p>D</p> <p>OUTSIDE</p> <p>INSIDE</p> |
| <p>Description: Vertical-Section bottom track on balustrade</p> <p>System: SF25</p> <p>Detail-No.: SF25-005</p> | <p>Description: Vertical-Section, bottom track on balustrade and strengthening profile</p> <p>System: SF25</p> <p>Detail-No.: SF25-004</p> |
| <p>A</p> <p>OUTSIDE</p> <p>INSIDE</p> | <p>A</p> <p>OUTSIDE</p> <p>INSIDE</p> |
| <p>Description: Vertical-Section, top track</p> <p>System: SF25</p> <p>Detail-No.: SF25-001</p> | <p>Description: Vertical-Section, top track with height compensations profile</p> <p>System: SF25</p> <p>Detail-No.: SF25-002</p> |



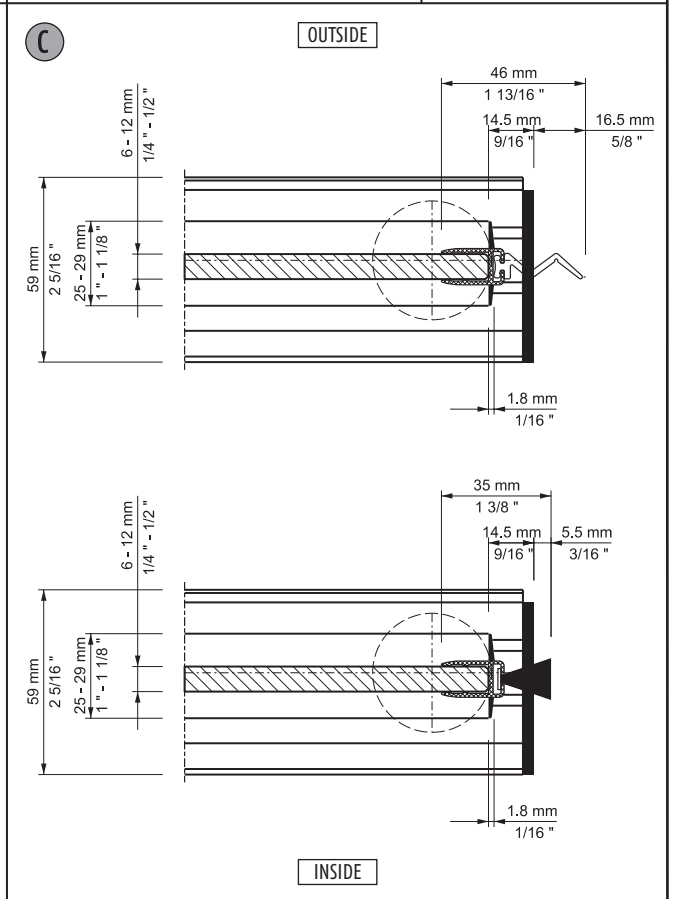
Description: Vertical-Section, height compensation profile with flange - horizontal
 System: SF25
 Detail-No.: SF25-007



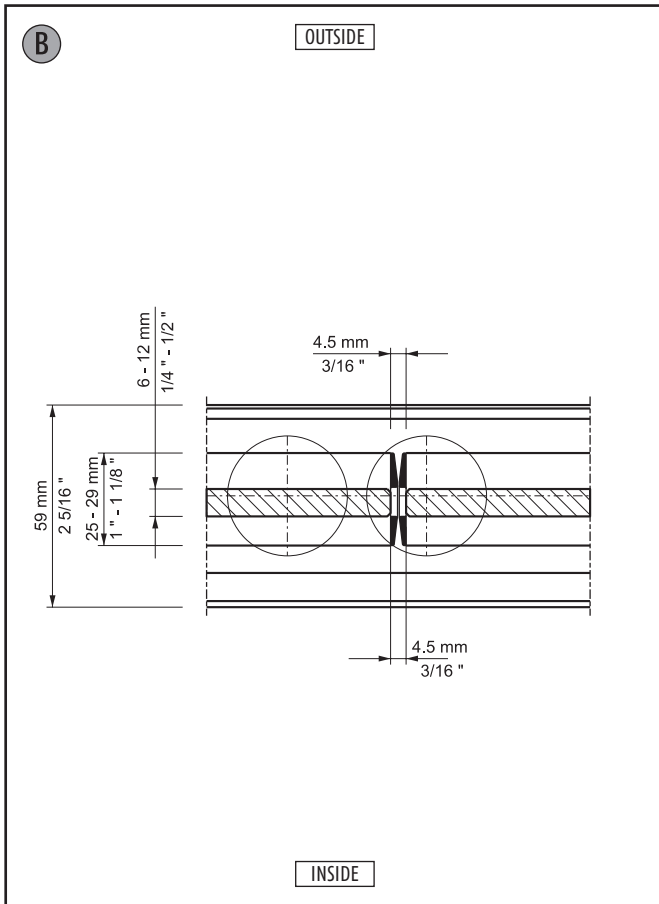
Description: Vertical-Section, overhead light connection with height compensation profile
 System: SF25
 Detail-No.: SF25-008



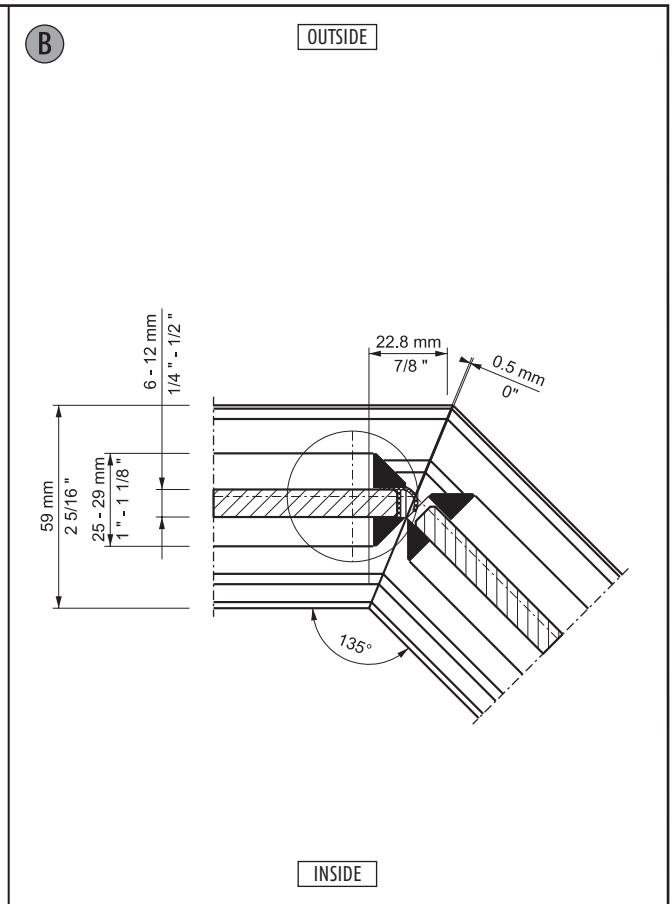
Description: Vertical-Section, height compensation profile with flange - vertical
 System: SF25
 Detail-No.: SF25-009



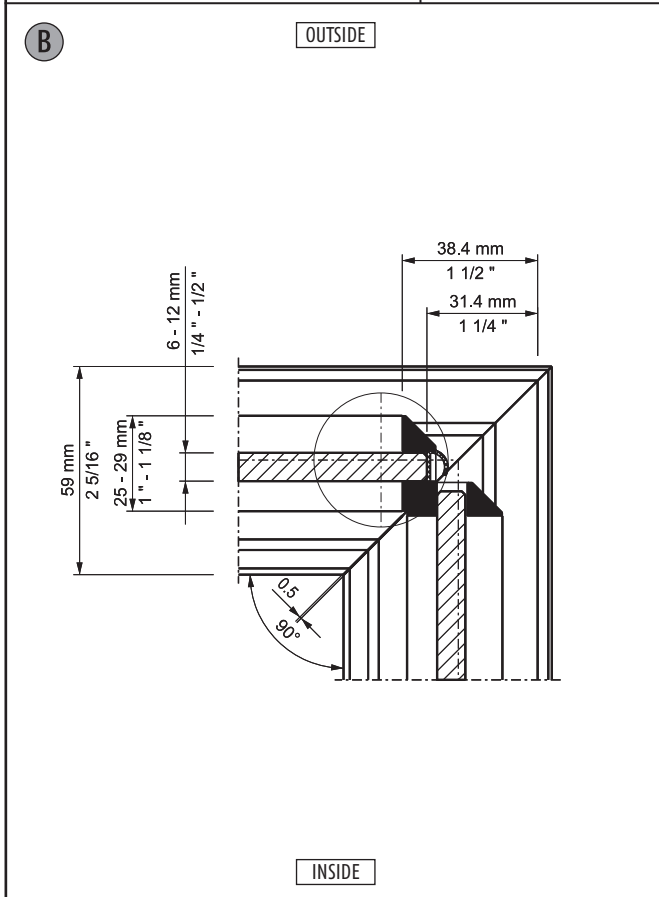
Description: Horizontal-Section, wall connection with rubber sealing profile
 System: SF25
 Detail-No.: SF25-101



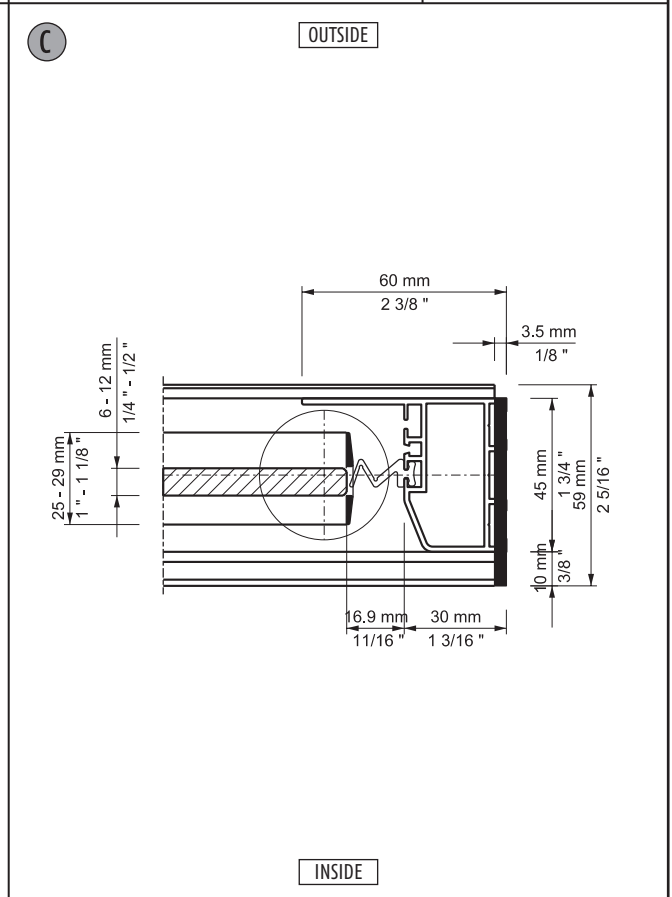
| | |
|---|----------------------|
| Description: Horizontal-Section panel - panel | System: SF25 |
| | Detail-No.: SF25-102 |



| | |
|--|----------------------|
| Description: Horizontal-Section panel - panel 135°-bending | System: SF25 |
| | Detail-No.: SF25-103 |



| | |
|---|----------------------|
| Description: Horizontal-Section panel - panel 90°-bending | System: SF25 |
| | Detail-No.: SF25-104 |



| | |
|--|----------------------|
| Description: Horizontal-Section wall connection with profile | System: SF25 |
| | Detail-No.: SF25-105 |

| | | | |
|---|--|--|--|
| <p>C OUTSIDE</p> <p>INSIDE</p> | <p>C OUTSIDE</p> <p>INSIDE</p> | | |
| <p>Description: Horizontal-Section, sidewise wall connection, with lateral aluminium panel profiles</p> | <p>System: SF25 Detail-Nr.: SF25-202</p> | <p>Description: Horizontal-Section, panel - panel 90°-bending, with lateral aluminium panel profiles</p> | <p>System: SF25 Detail-Nr.: SF25-203</p> |
| <p>B OUTSIDE</p> <p>INSIDE</p> | <p>B OUTSIDE</p> <p>INSIDE</p> | | |
| <p>Description: Horizontal-Section, panel - panel, with lateral aluminium panel profiles</p> | <p>System: SF25 Detail-Nr.: SF25-201</p> | <p>Description: Horizontal-Section, turn panel - slide panel, with lateral aluminium panel profiles</p> | <p>System: SF25 Detail-Nr.: SF25-204</p> |