

**Please Note**

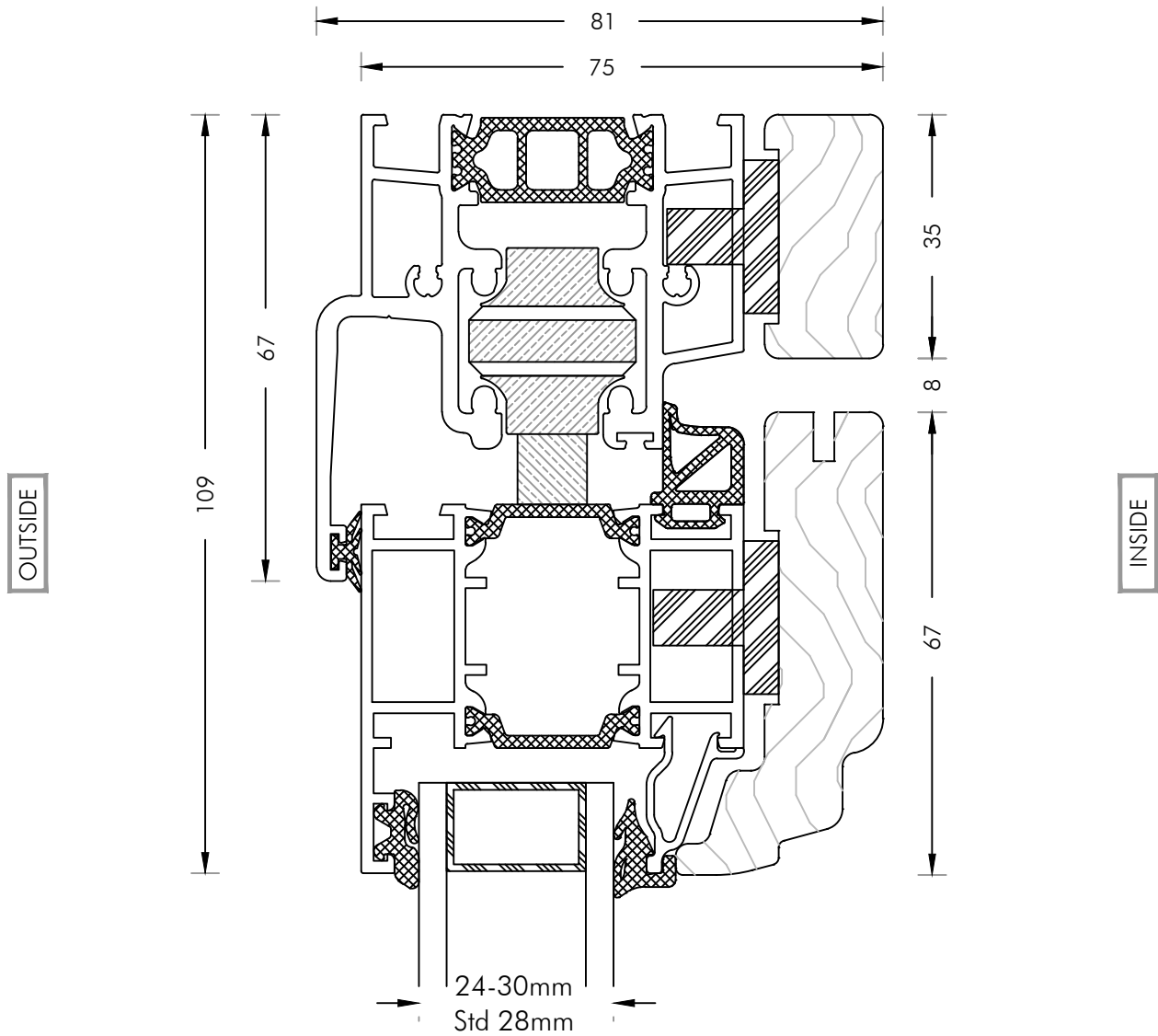
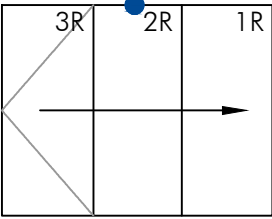
The Above is a Selection of the Most Popular Straight Run Configurations. These are Available Either Open Out or Open In. The ● Configurations Can Also Be Supplied Opposite Hand. Corner and Faceted Curved Options are Also Available

Description **SF55C**

**Thermally Broken Aluminium Folding Sliding Door System Configuration Options**

Detail No: **SF55C-00**

System: **SF55C** **B**

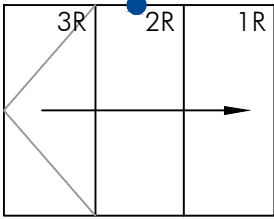


Description **Vertical Section - Connection**  
**Top Track - Panel / Open In**

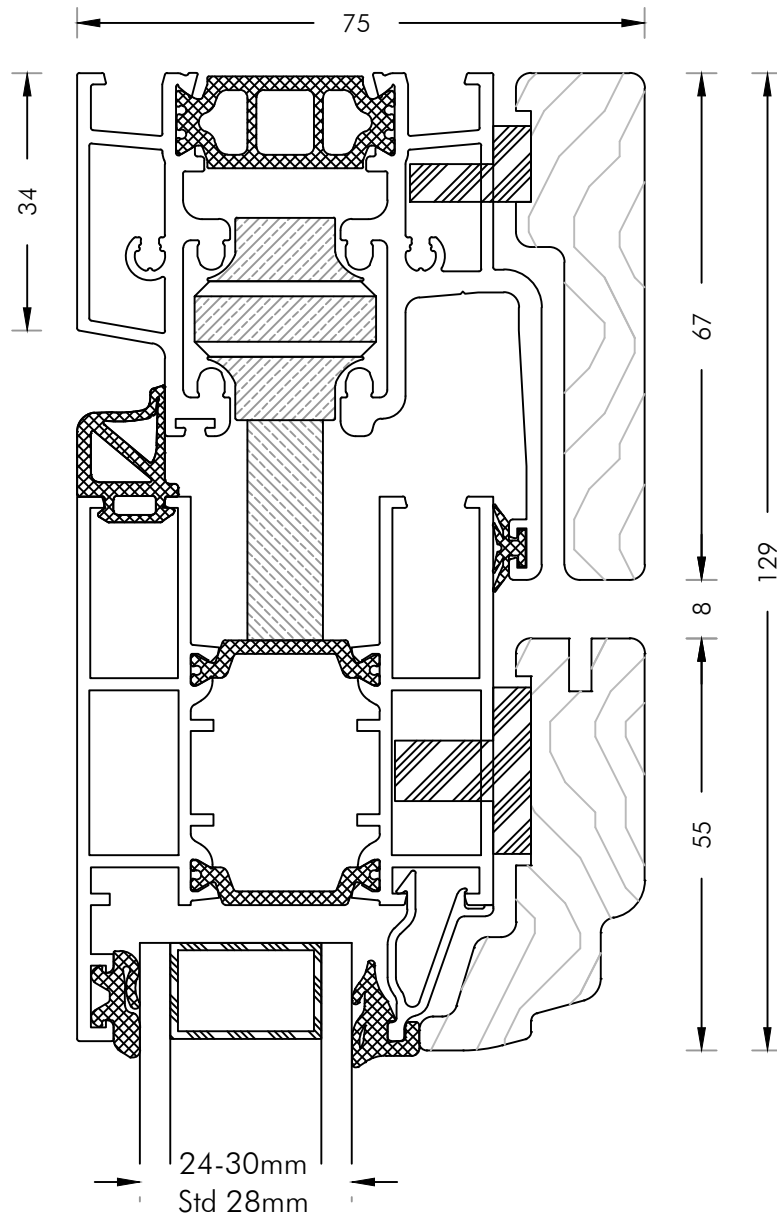
Detail No: **SF55C-01**

System: **SF55C**

**B**



OUTSIDE



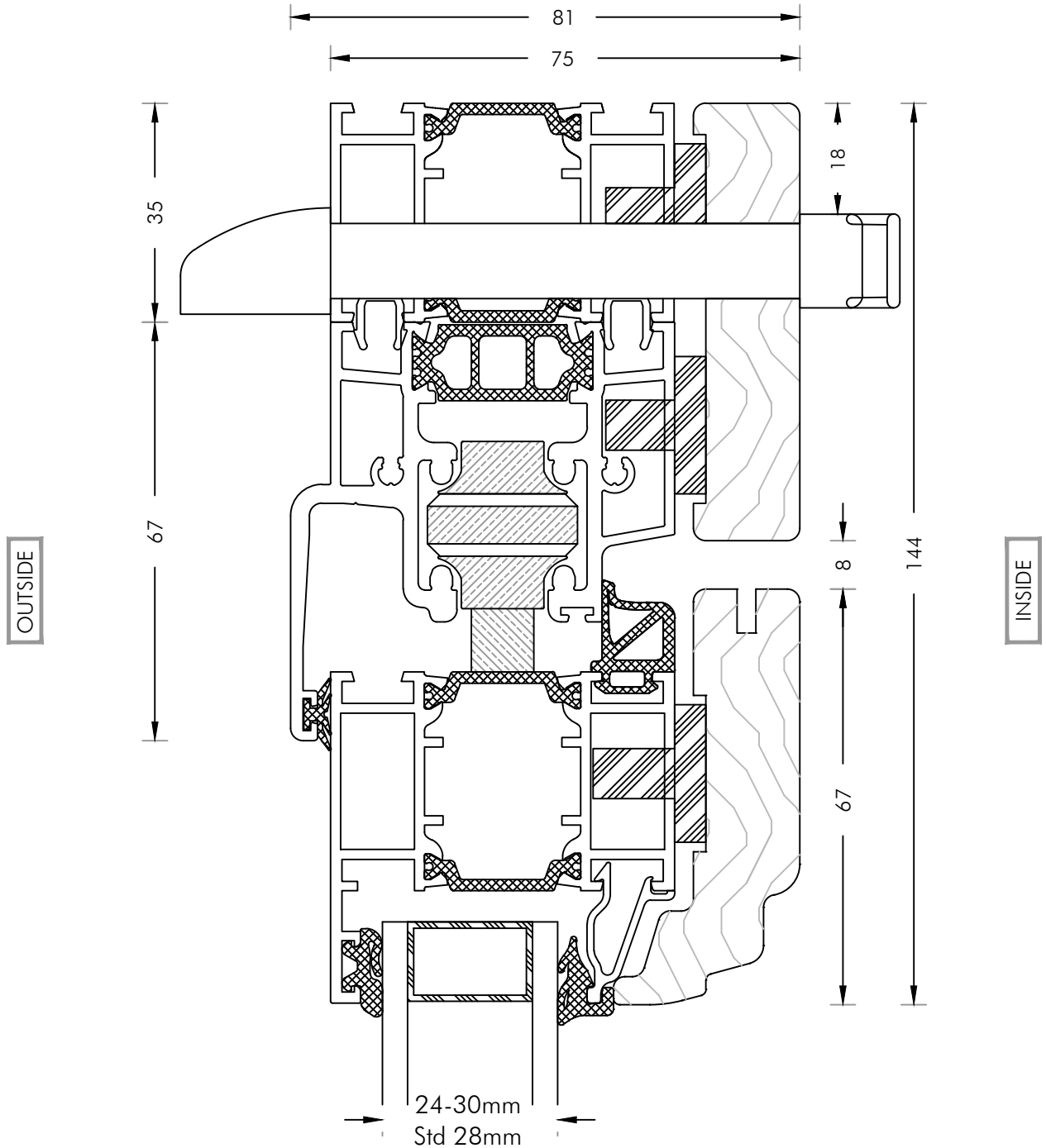
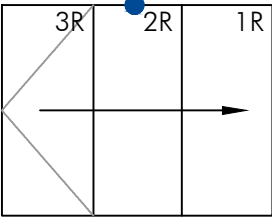
INSIDE

Description **Vertical Section - Connection**  
**Top Track - Panel / Open Out**

Detail No: **SF55C-02**

System: **SF55C**

**B**

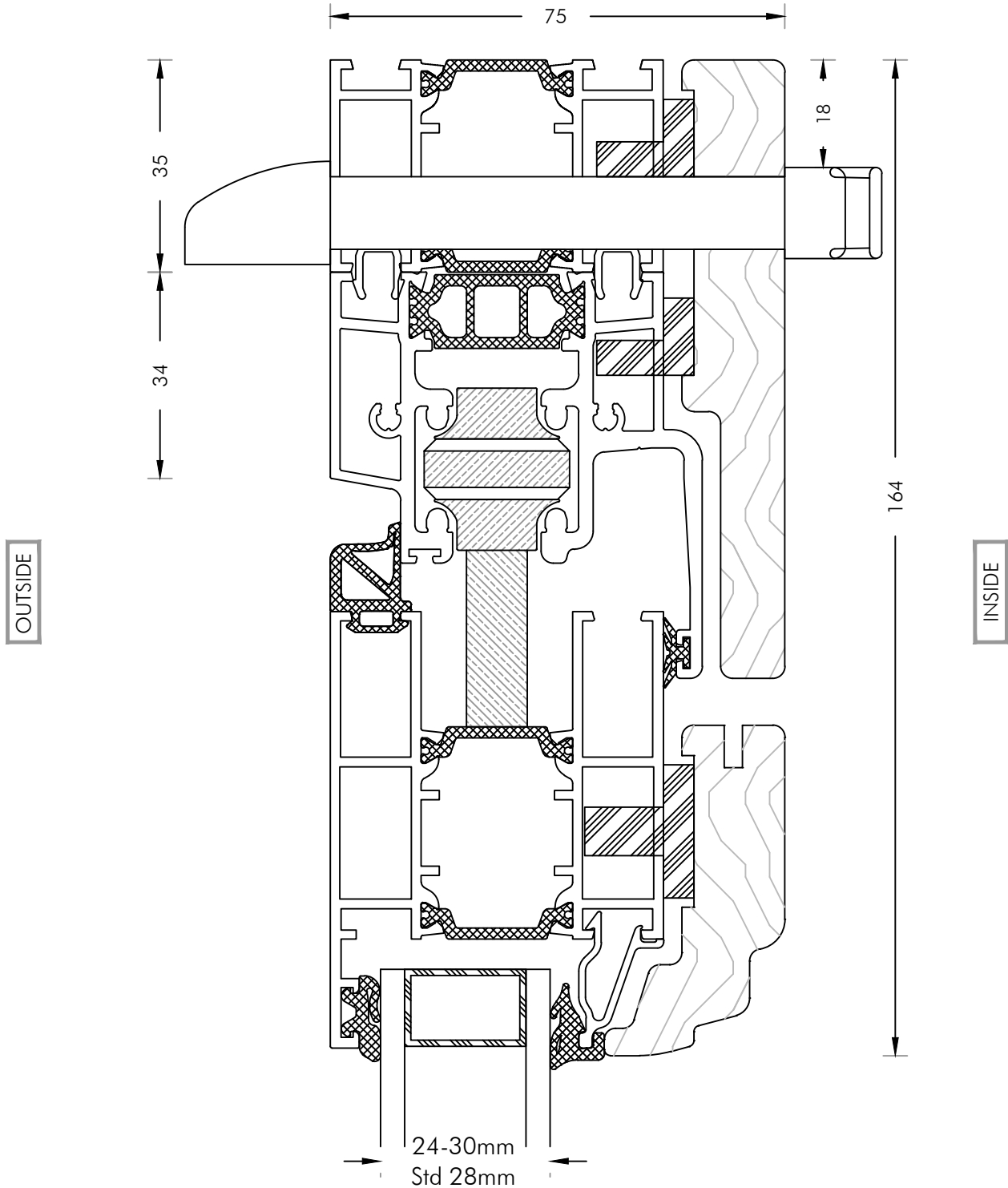
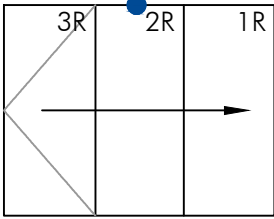


Description **Vertical Section - Connection**  
**Top Track With 35mm Extension And Trickle Vent - Panel /**  
**Open In**

Detail No: **SF55C-01TV**

System: **SF55C**

**B**

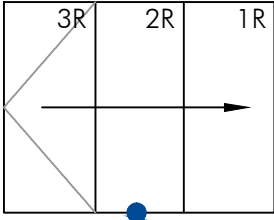


Description **Vertical Section - Connection**  
**Top Track With 35mm Extension And Trickle Vent - Panel /**  
**Open Out**

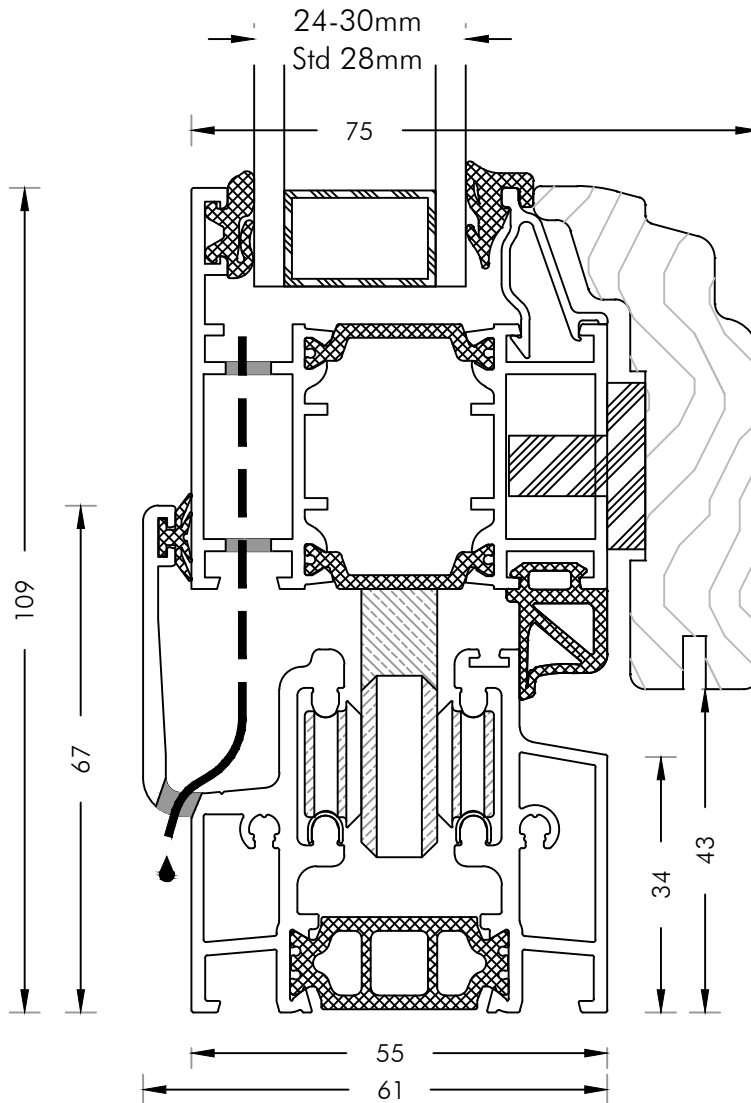
Detail No: **SF55C-02TV**

System: **SF55C**

**B**



OUTSIDE



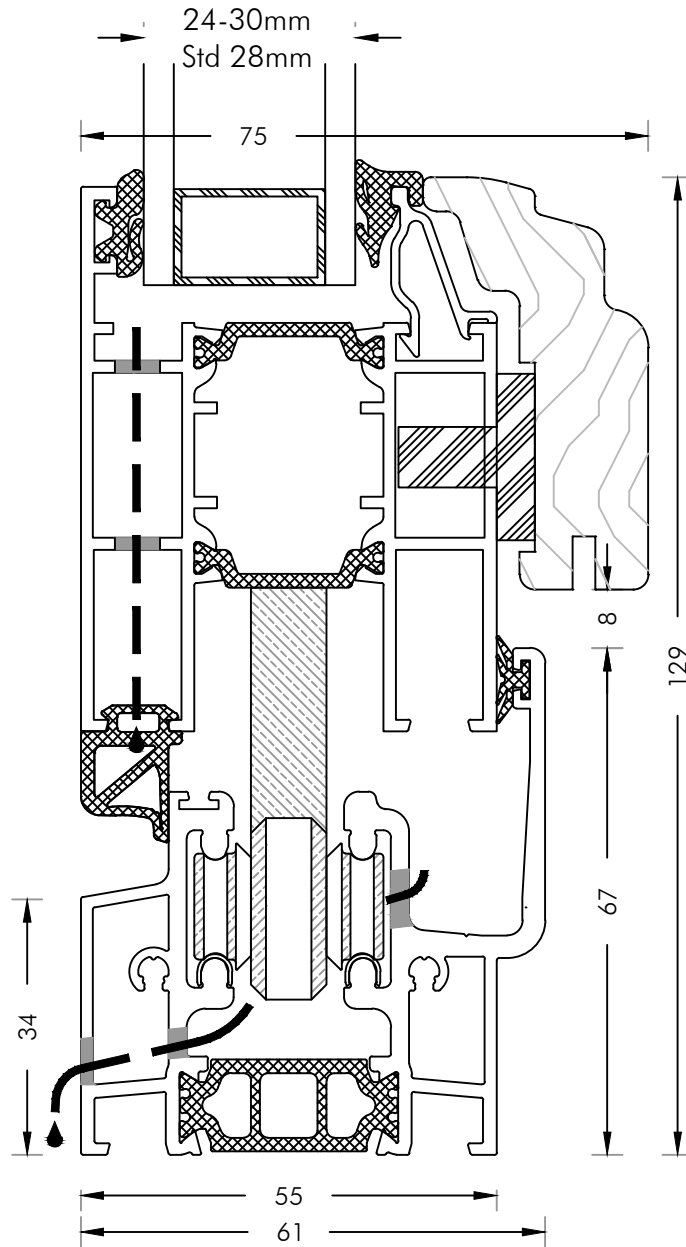
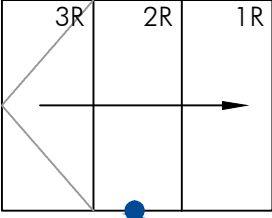
INSIDE

Description **Vertical Section - Connection**  
**Panel - Bottom Weathered Track / Open In**

Detail No: **SF55C-03**

System: **SF55C**

**B**

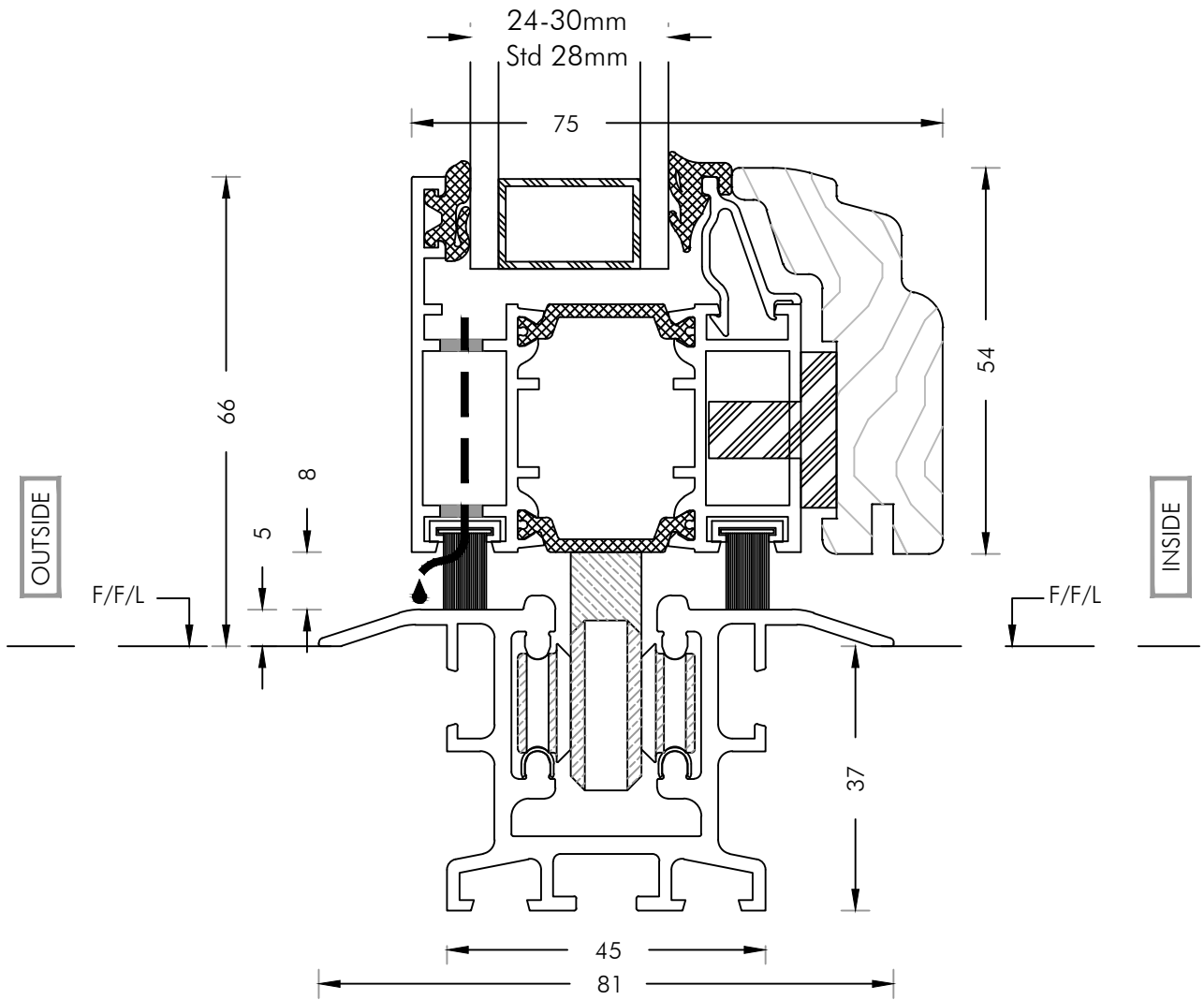
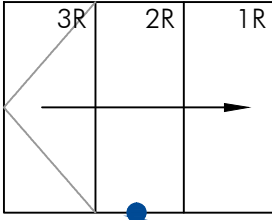


Description **Vertical Section - Connection**  
**Panel - Bottom Weatherded Track / Open Out**

Detail No: **SF55C-04**

System: **SF55C**

**B**



**Note: Flush Track Reduces Weather Rating  
 Not Recommended for Exposed Locations  
 On External Flush Track Systems We Recommend External Floor Level (Unless Decking),  
 is Laid with a Fall Away from the Track to Prevent Water Ingress**

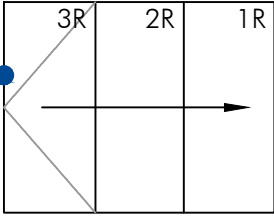
Description **Vertical Section - Connection  
 Panel - Bottom Flush Track**

Detail No: **SF55C-05**

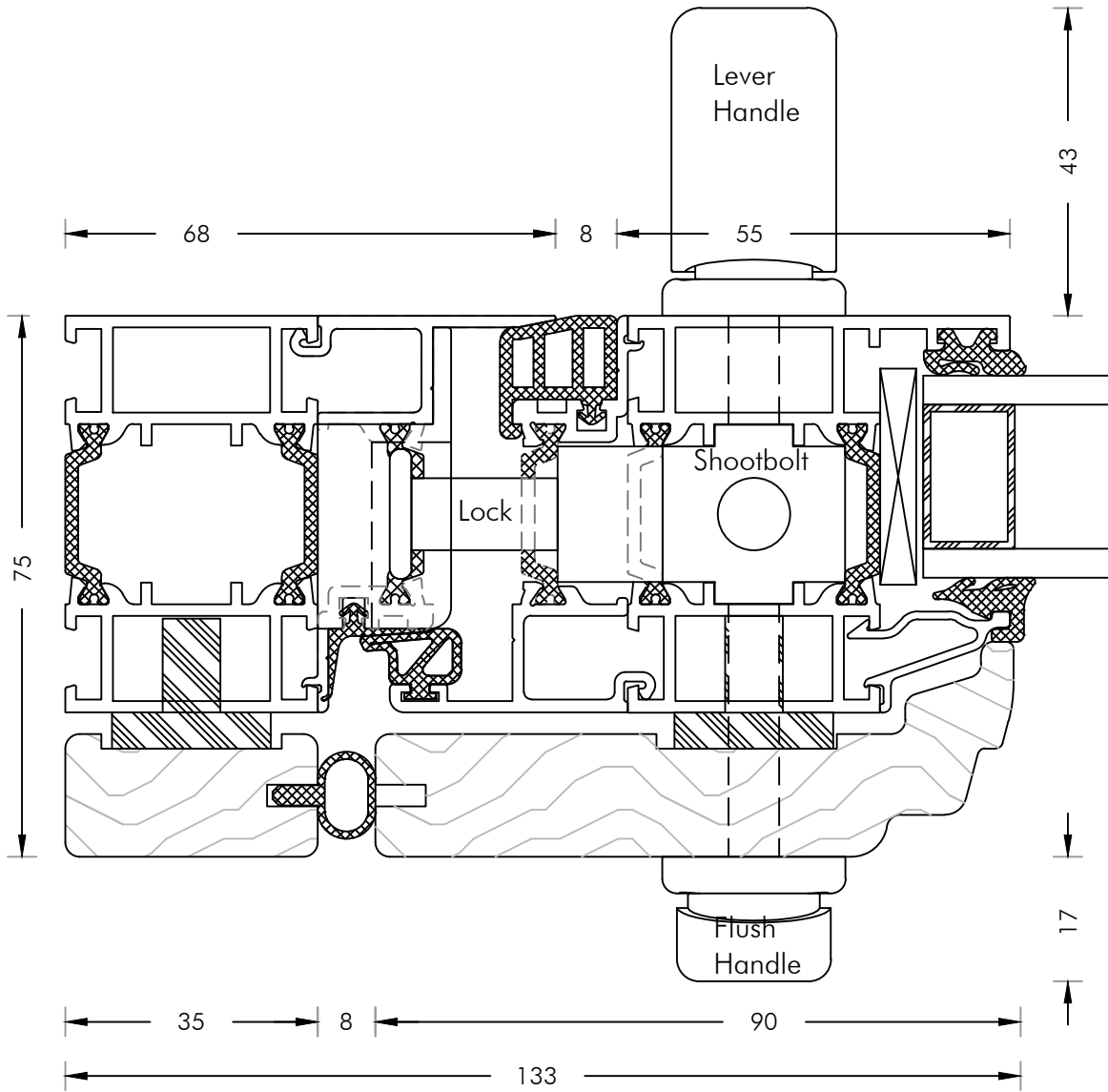
System: **SF55C**

**B**





OUTSIDE



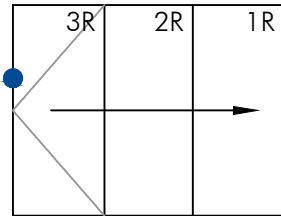
INSIDE

Description **Horizontal Section - Connection**  
**Closing Jamb - Panel 3R / Open In**

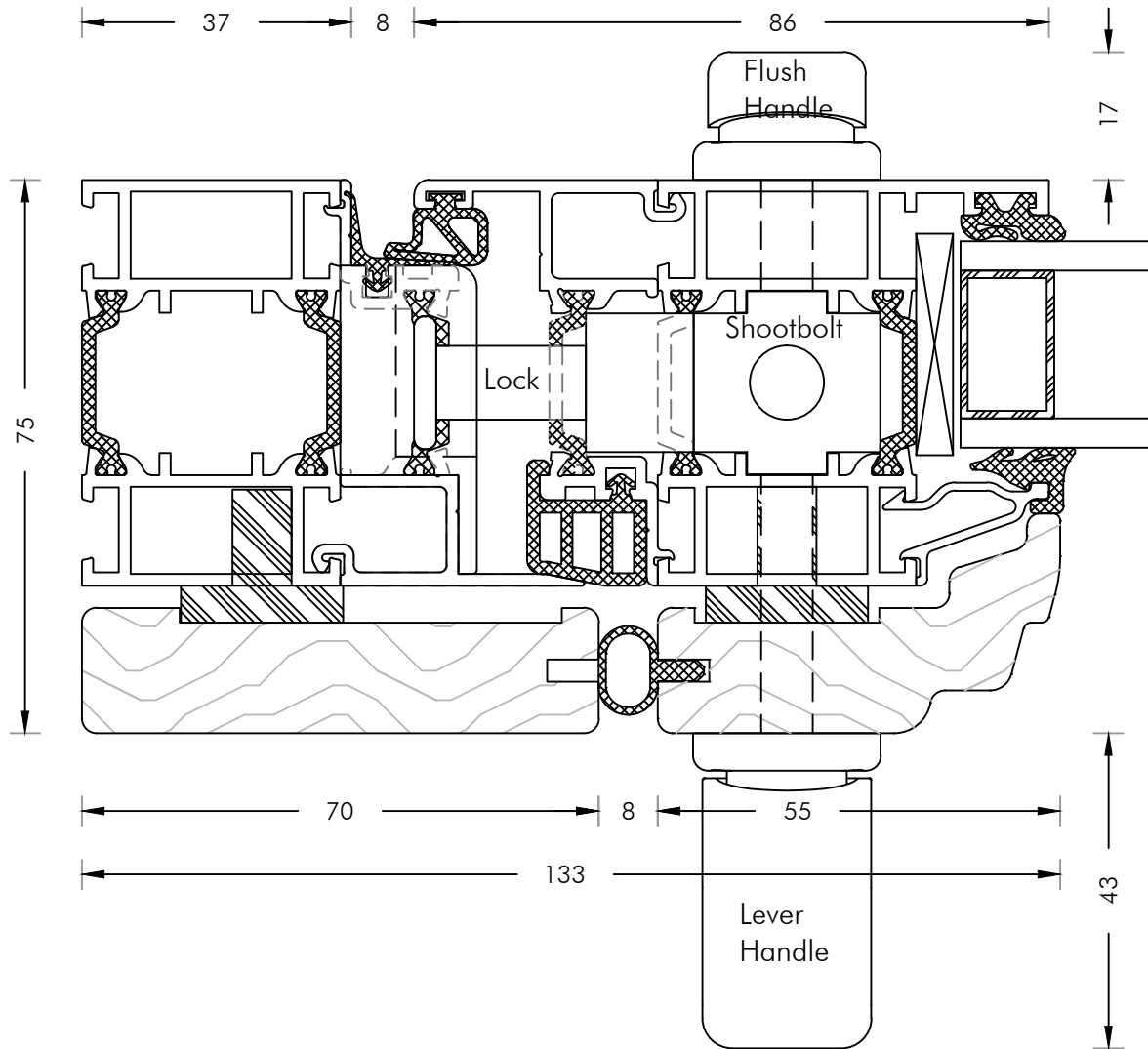
Detail No: **SF55C-06**

System: **SF55C**

**B**



OUTSIDE



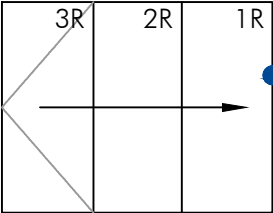
INSIDE

Description **Horizontal Section - Connection**  
**Closing Jamb - Panel 3R / Open Out**

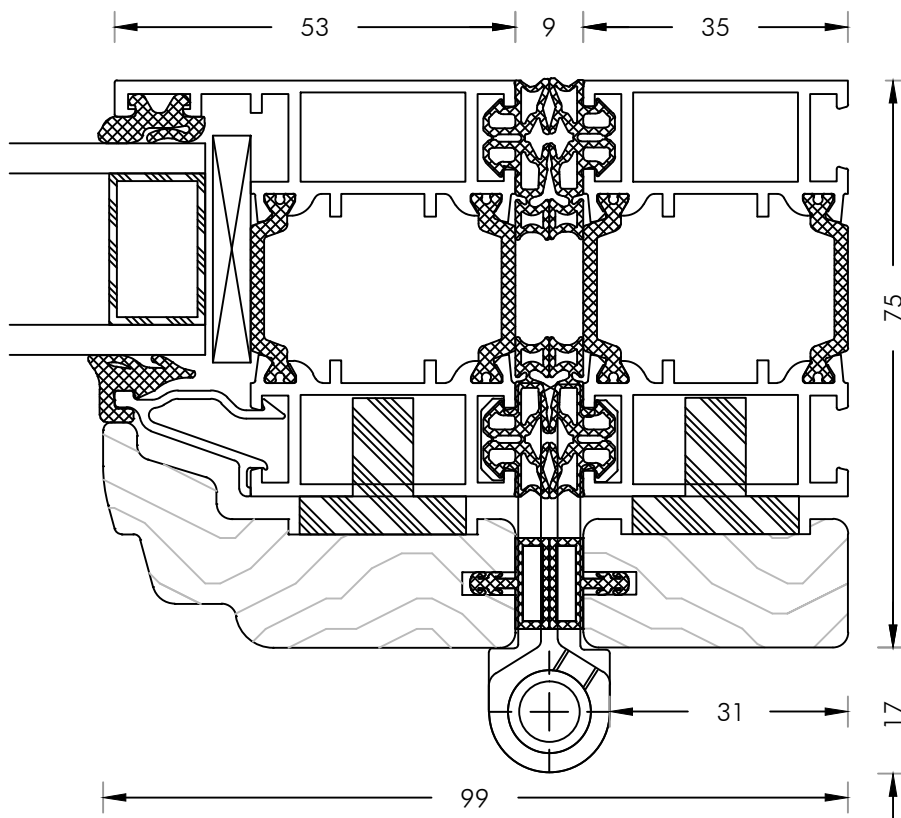
Detail No: **SF55C-07**

System: **SF55C**

**B**



OUTSIDE



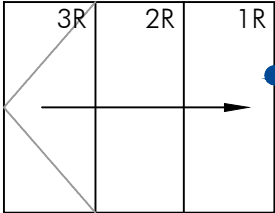
INSIDE

Description **Horizontal Section - Connection**  
**Panel 1R - Hinge Jamb / Open In**

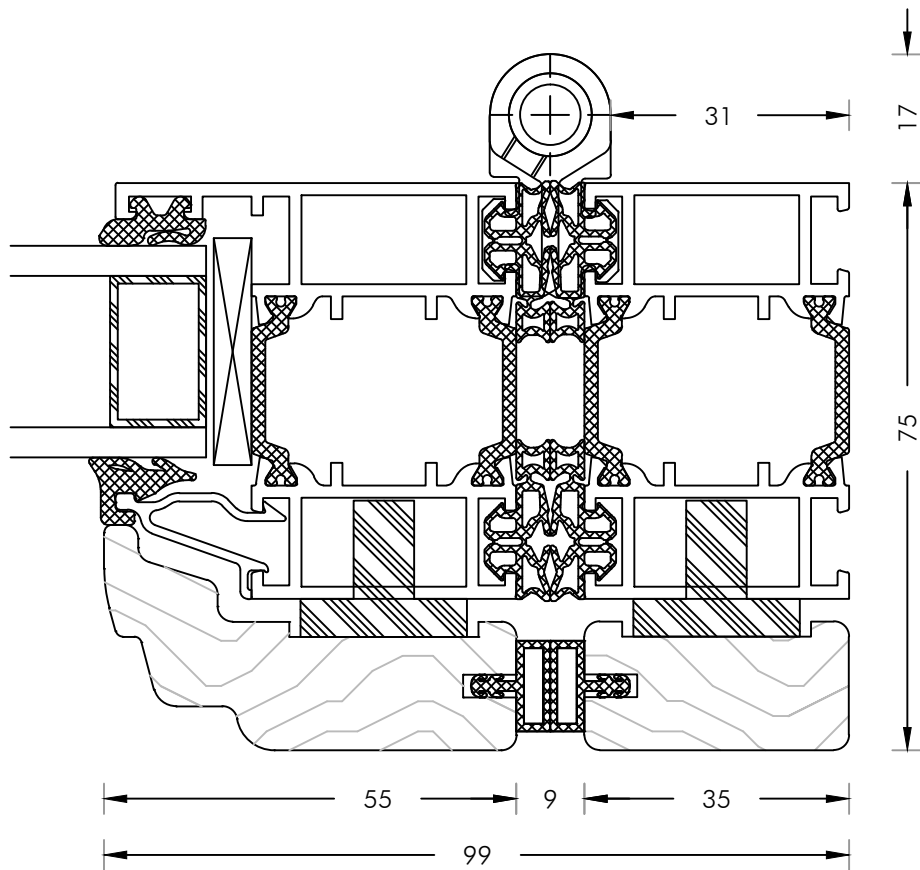
Detail No: **SF55C-08**

System: **SF55C**

**B**



OUTSIDE



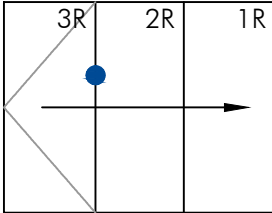
INSIDE

Description **Horizontal Section - Connection**  
**Panel 1R - Hinge Jamb / Open Out**

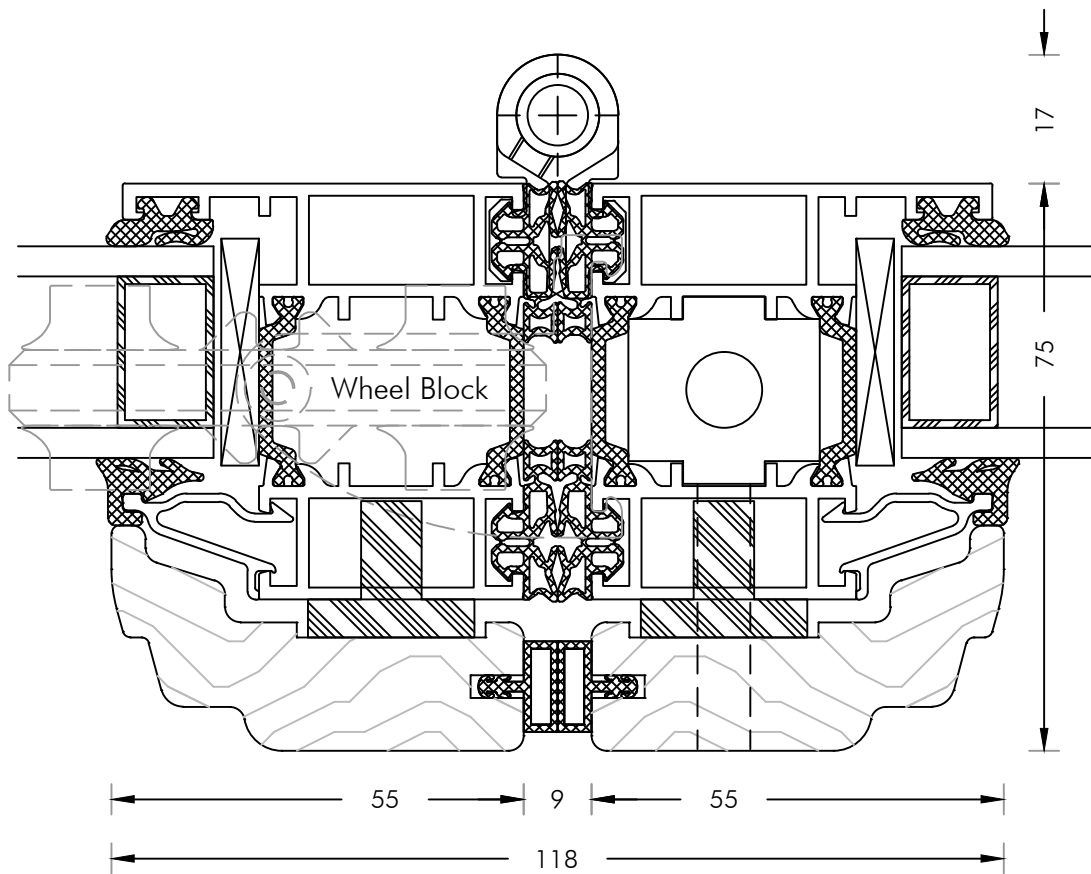
Detail No: **SF55C-09**

System: **SF55C**

**B**



OUTSIDE



INSIDE

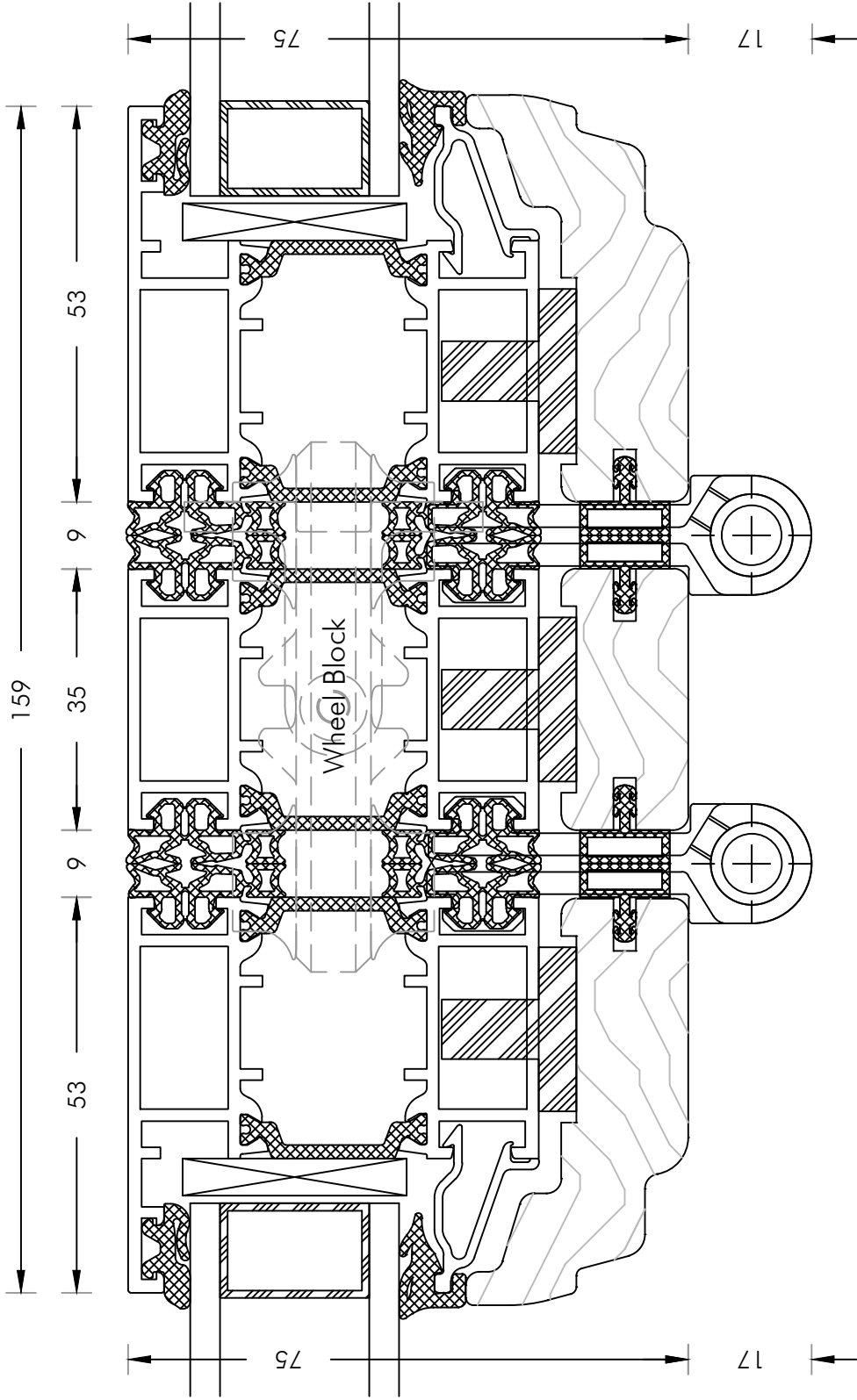
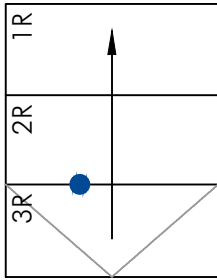
Description **Horizontal Section - Connection  
Panel 3R - Panel 2R / Open Out**

Detail No: **SF55C-10**

System: **SF55C**

**B**

OUTSIDE

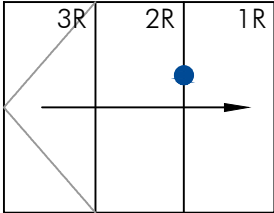


INSIDE

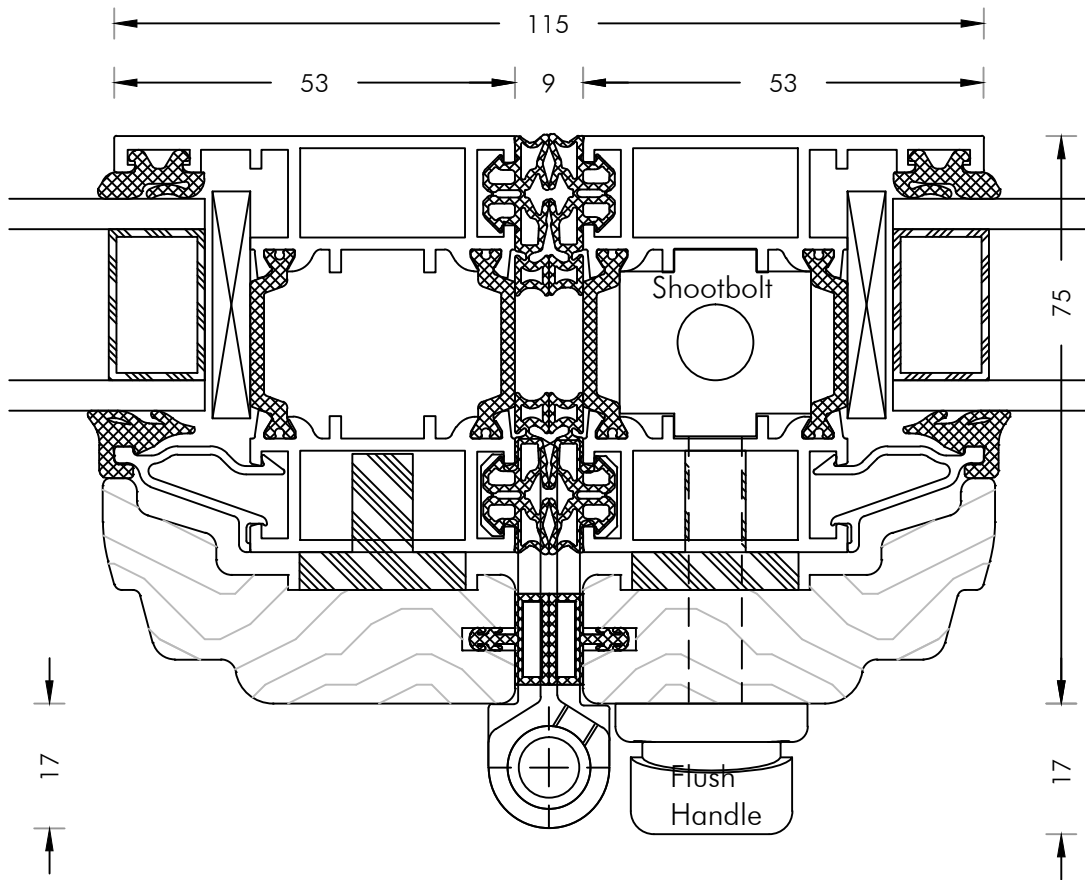
Description **Horizontal Section - Connection**  
**Panel 3R - Sliding Post - Panel 2R / Open In**

Detail No: **SF55C-11**

System: **SF55C** **B**



OUTSIDE



INSIDE

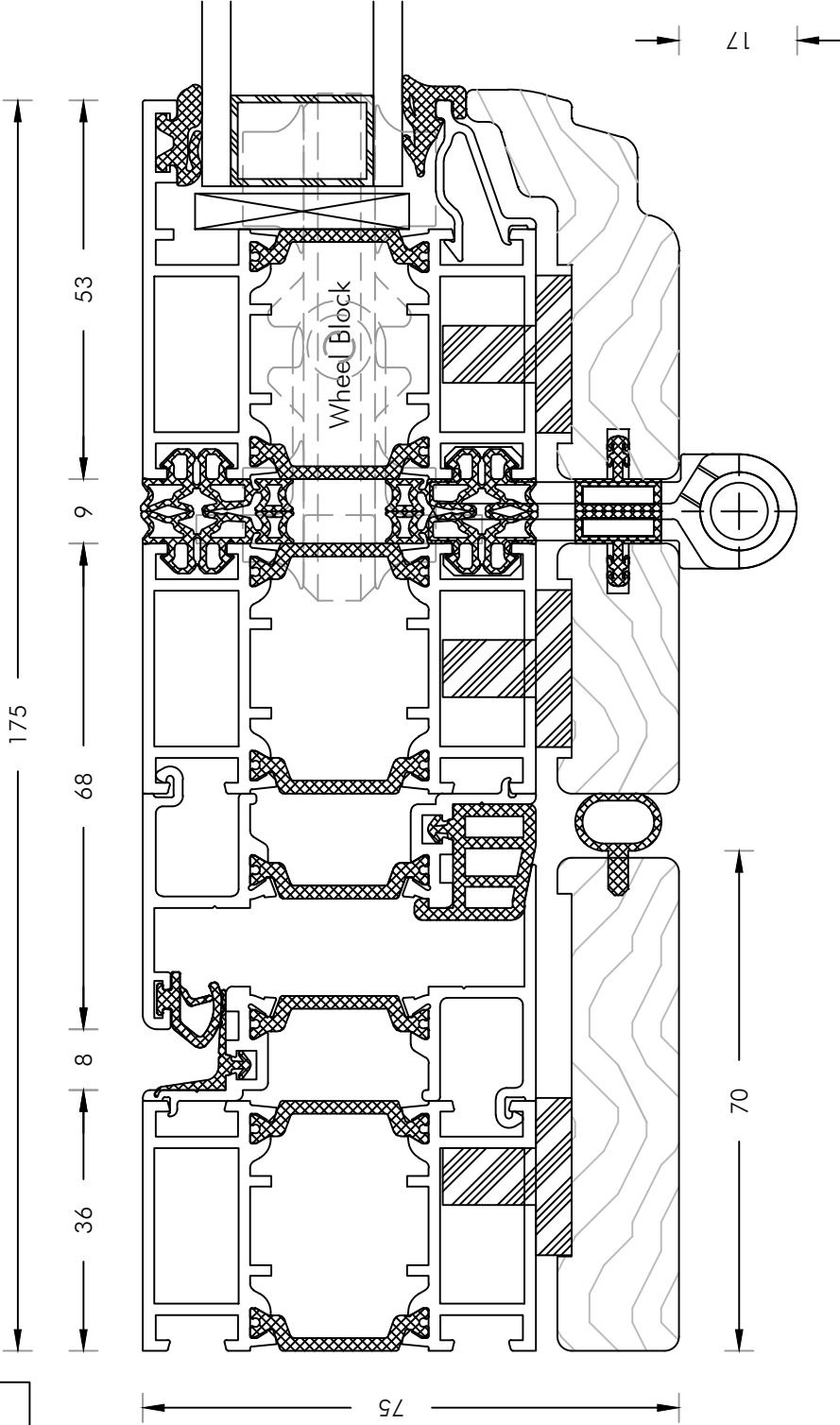
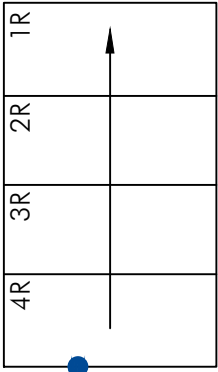
Description **Horizontal Section - Connection  
Panel 2R - Panel 1R / Open Out**

Detail No: **SF55C-12**

System: **SF55C**

**B**

OUTSIDE



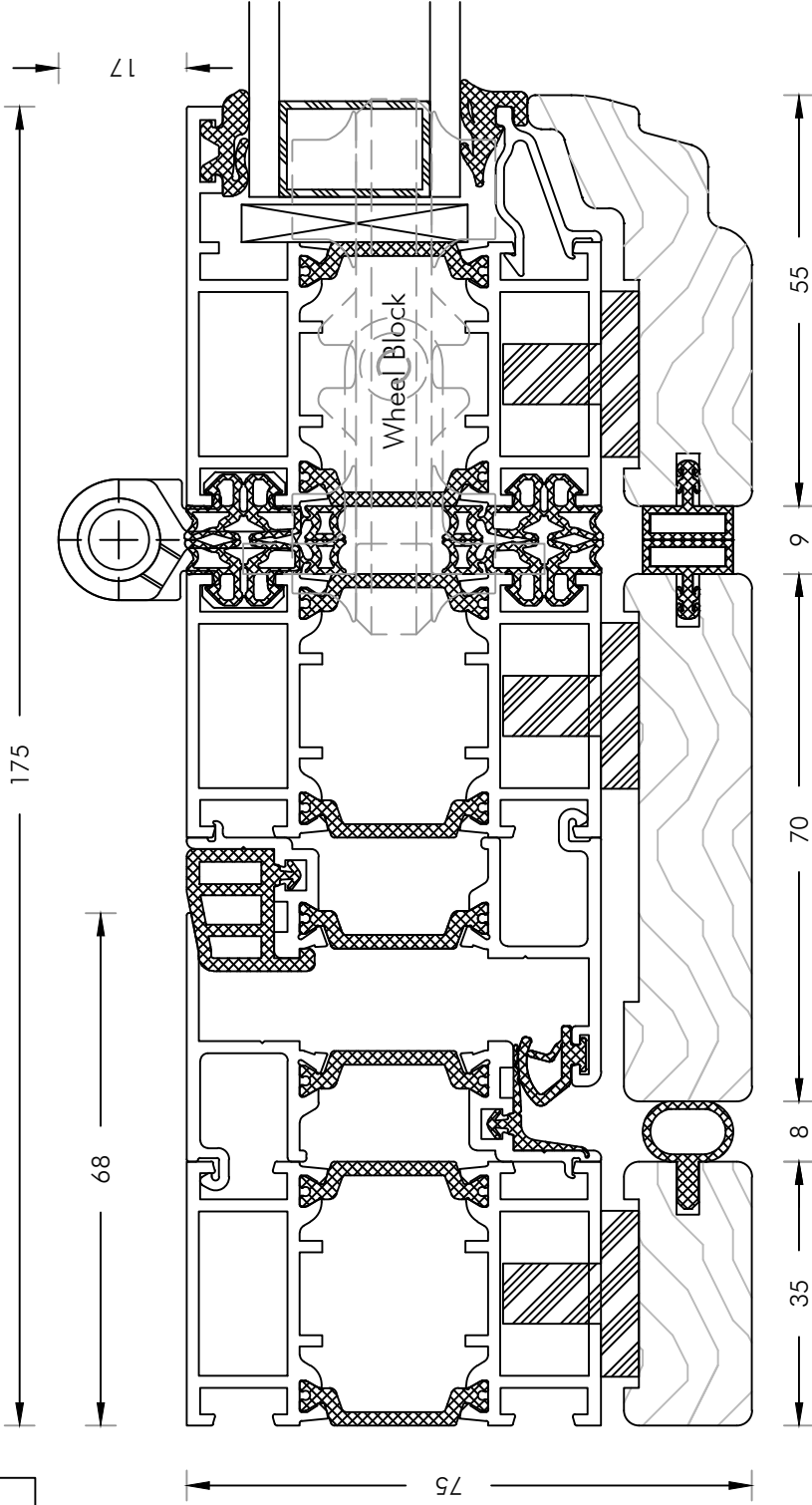
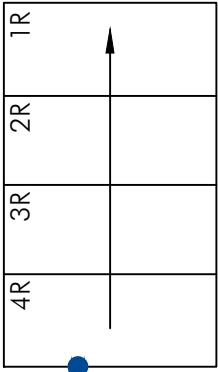
INSIDE

Description **Horizontal Section - Connection**  
**Closing Jamb - Sliding Post - Panel 4R/ Open In**

Detail No: **SF55C-13**  
 System: **SF55C** **B**



OUTSIDE

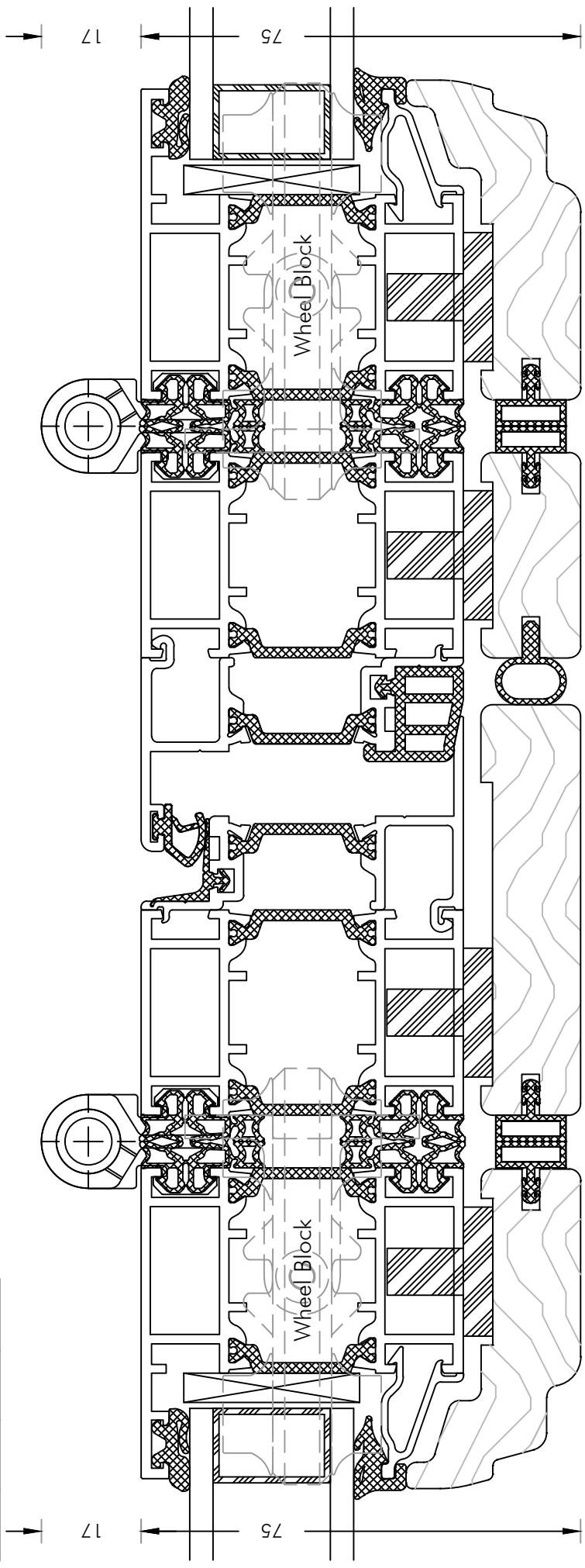
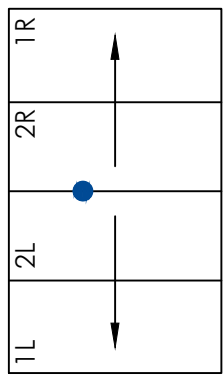


INSIDE

Description **Horizontal Section - Connection Closing Jamb - Sliding Post - Panel 4R/ Open Out**

Detail No: **SF55C-14**  
System: **SF55C** **B**

OUTSIDE

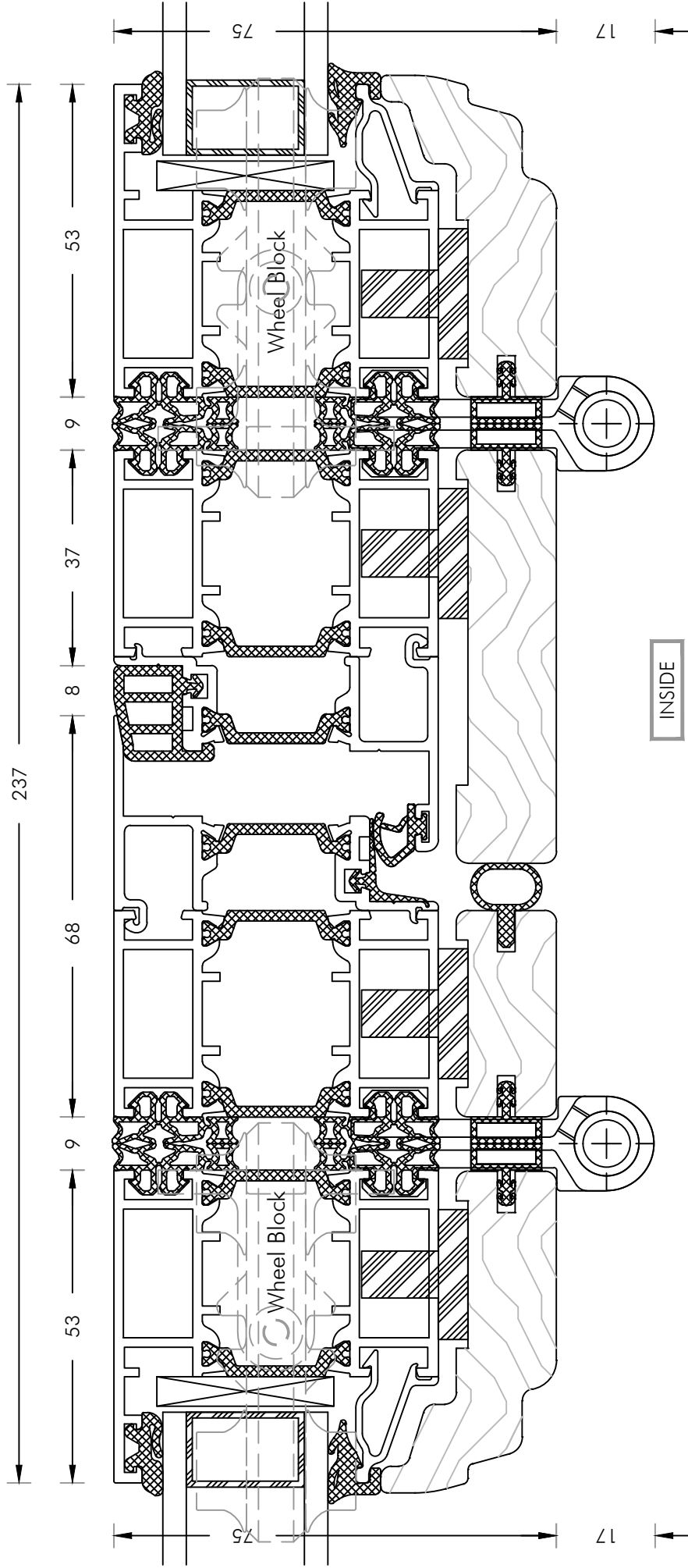
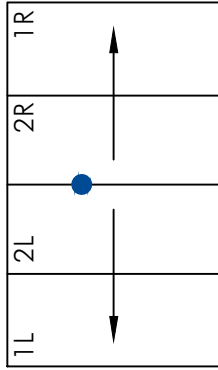


INSIDE

Description **Horizontal Section - Connection**  
**Panel 2L - Sliding Post - Sliding Post - Panel 2R / Open Out**

Detail No: **SF55C-15**  
 System: **SF55C** **B**

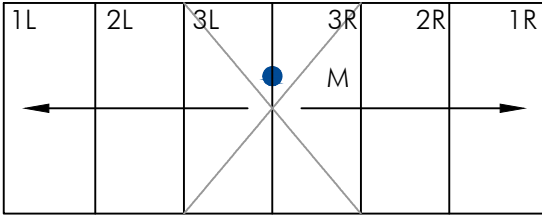
OUTSIDE



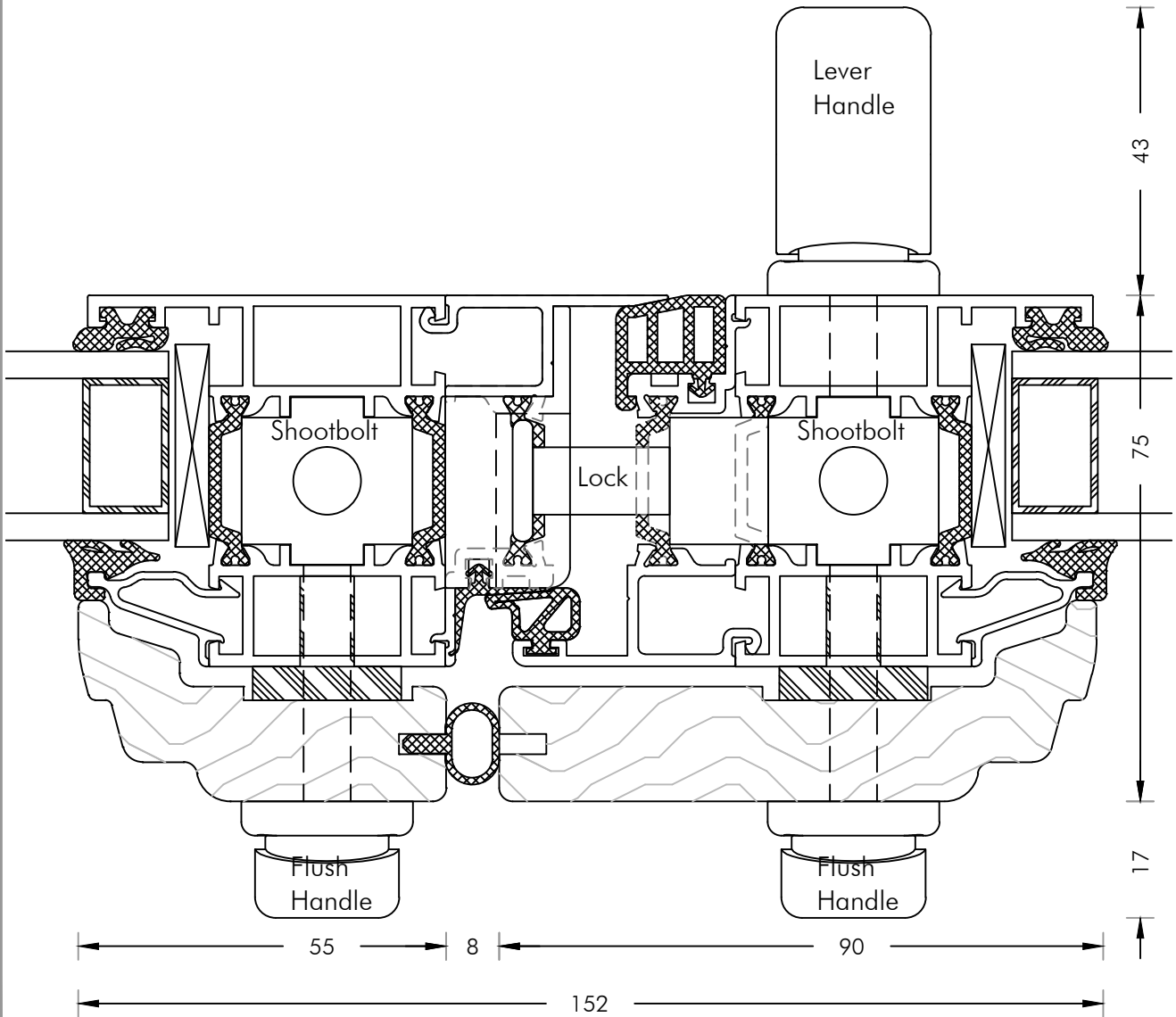
Description **Horizontal Section - Connection**  
**Panel 2L - Sliding Post - Sliding Post - Panel 2R / Open In**

Detail No: **SF55C-16**

System: **SF55C** **B**



OUTSIDE



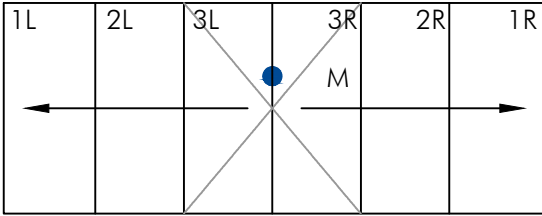
INSIDE

Description **Horizontal Section - Connection  
Panel 3L - Panel 3R / Open In  
(M = 1st Opening Panel 3R)**

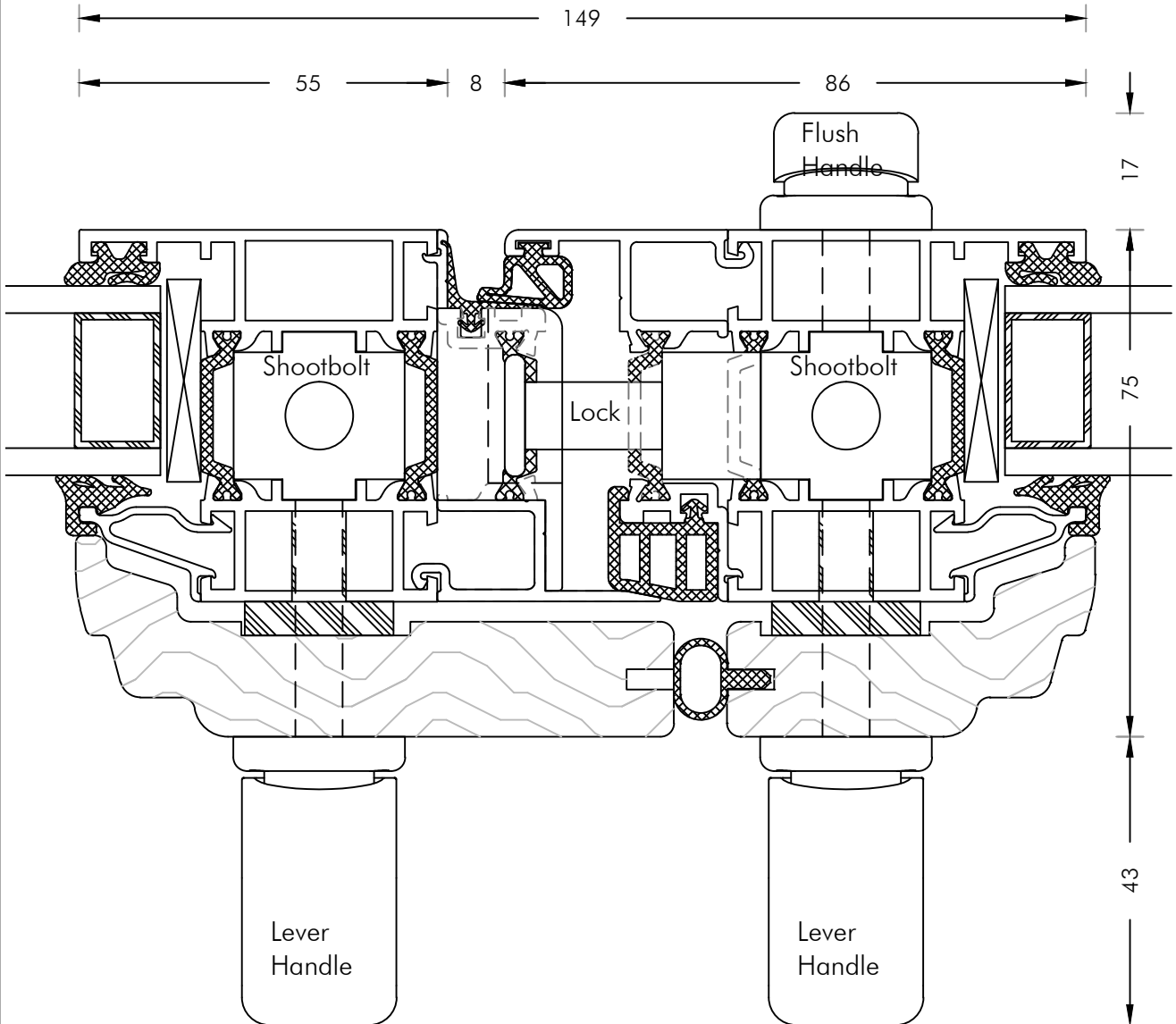
Detail No: **SF55C-17**

System: **SF55C**

**B**



OUTSIDE



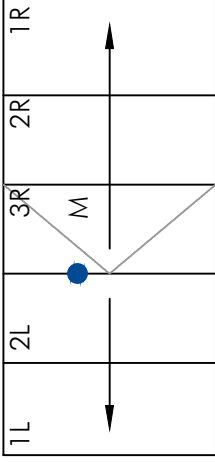
INSIDE

Description **Horizontal Section - Connection  
Panel 3L - Panel 3R / Open Out  
(M = 1st Opening Panel 3R)**

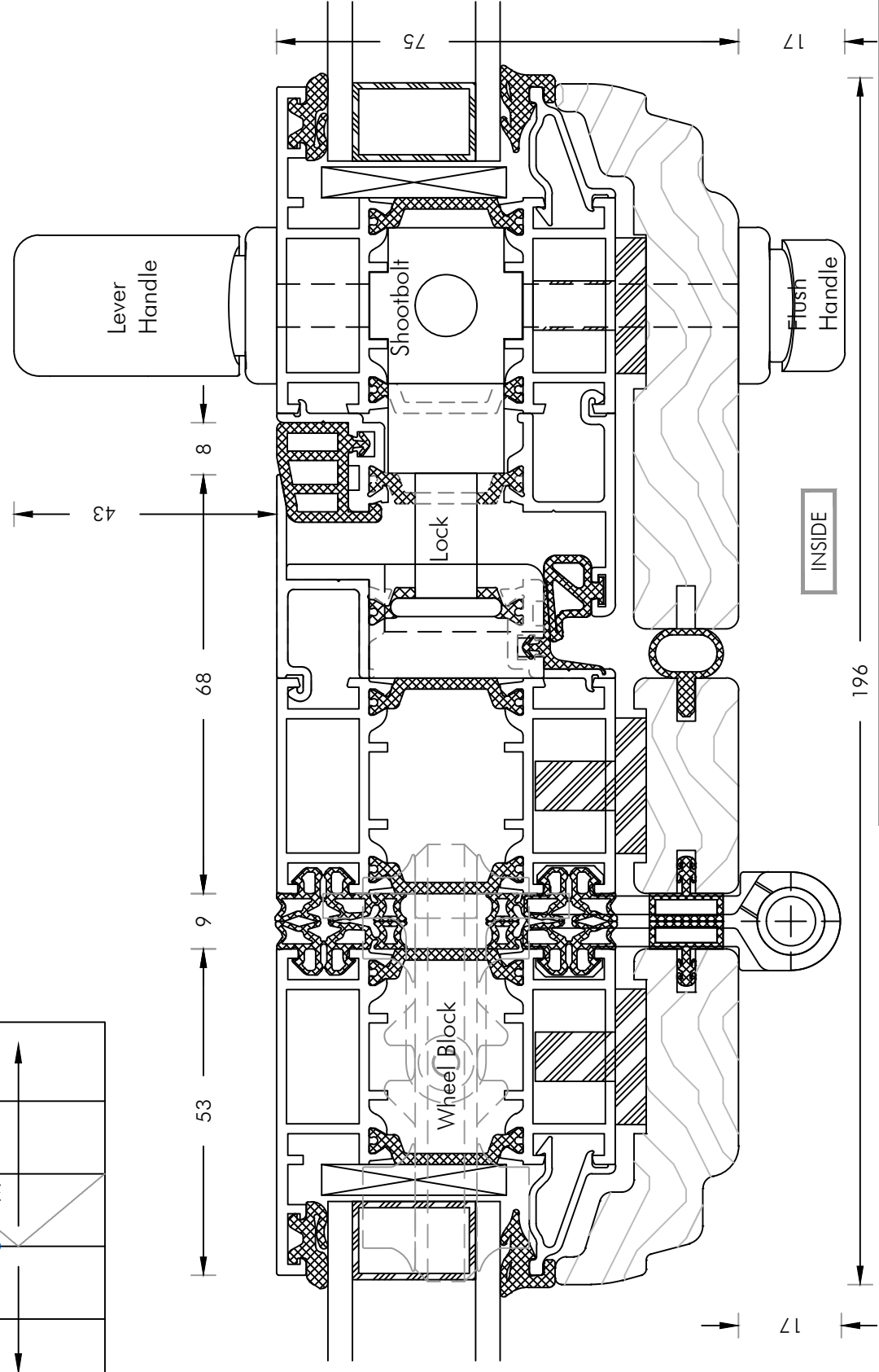
Detail No: **SF55C-18**

System: **SF55C**

**B**



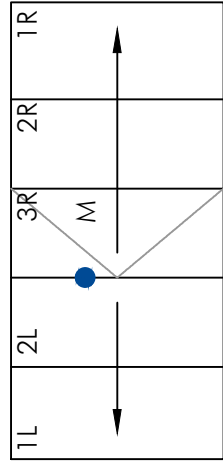
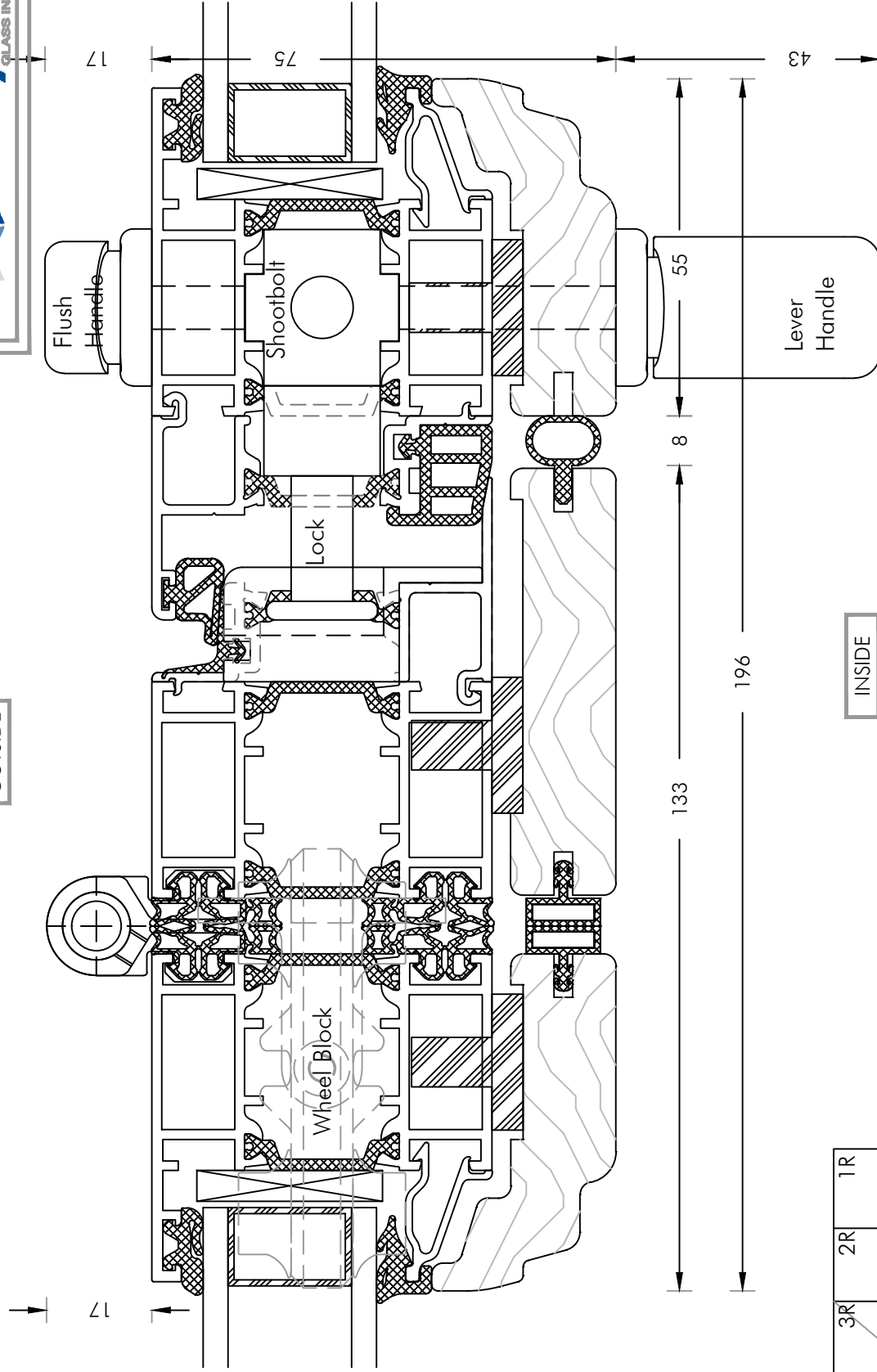
OUTSIDE



Description **Horizontal Section - Connection  
Panel 2L - Sliding Post - Panel 3R/ Open In  
(M = 1st Opening Panel 3R)**

Detail No: **SF55C-19**  
System: **SF55C** **B**

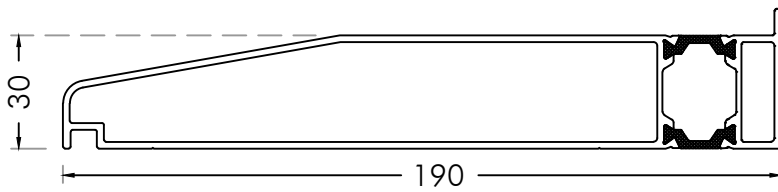
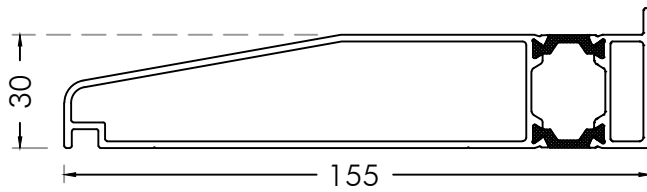
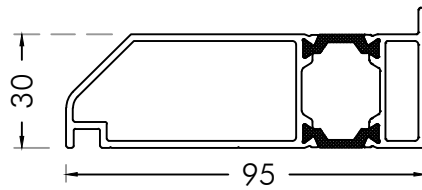
OUTSIDE



Description **Horizontal Section - Connection  
Panel 2L - Sliding Post - Panel 3R/ Open Out  
(M = 1st Opening Panel 3R)**

Detail No: **SF55C-20**

System: **SF55C** **B**



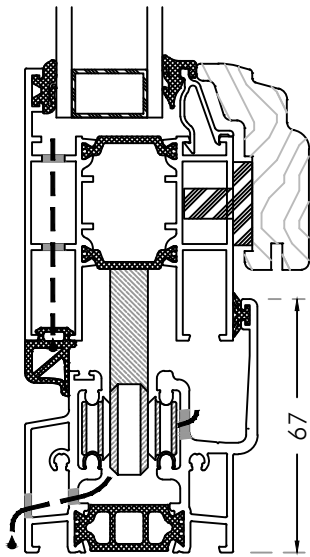
Description **Thermally Broken Aluminium Sills - Size Options**

Detail No: **SF55C-21**

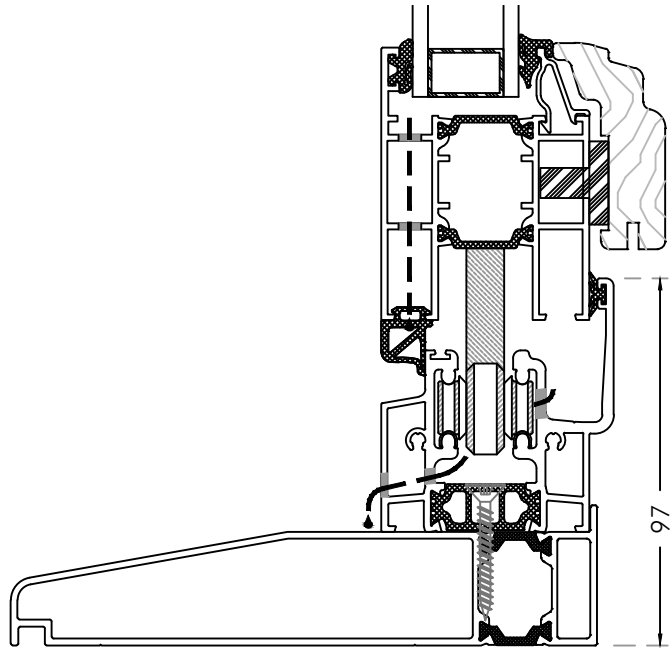
System: **SF55C**

**B**

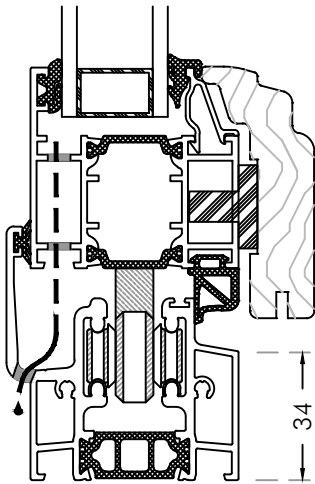




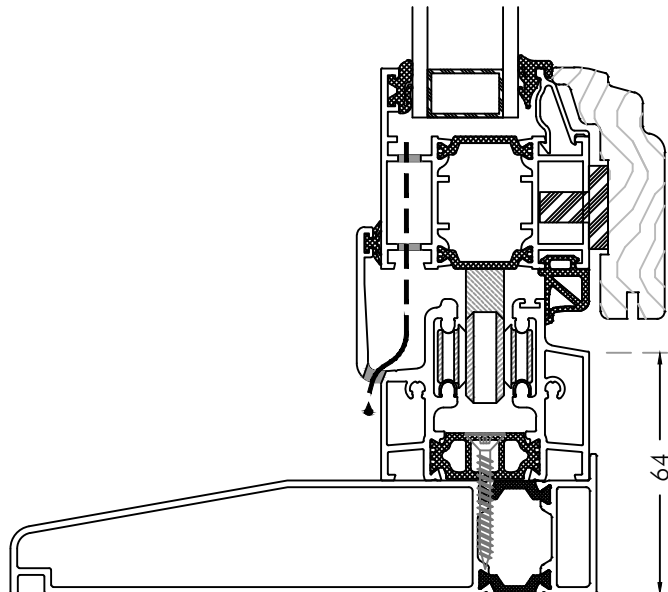
**Option 1, Open Out Weathered track**



**Option 3, Open Out Weathered track on 155mm Thermally Broken Sill**



**Option 2, Open In Weathered track**



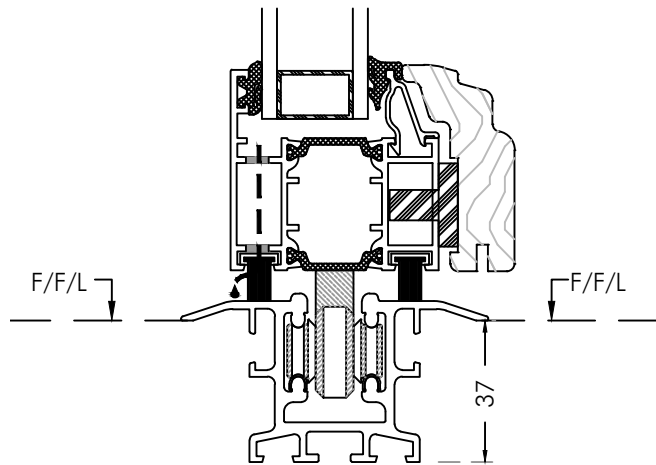
**Option 4, Open In Weathered track on 155mm Thermally Broken Sill**

Description **Vertical Section  
Threshold Options - Weathered Track**

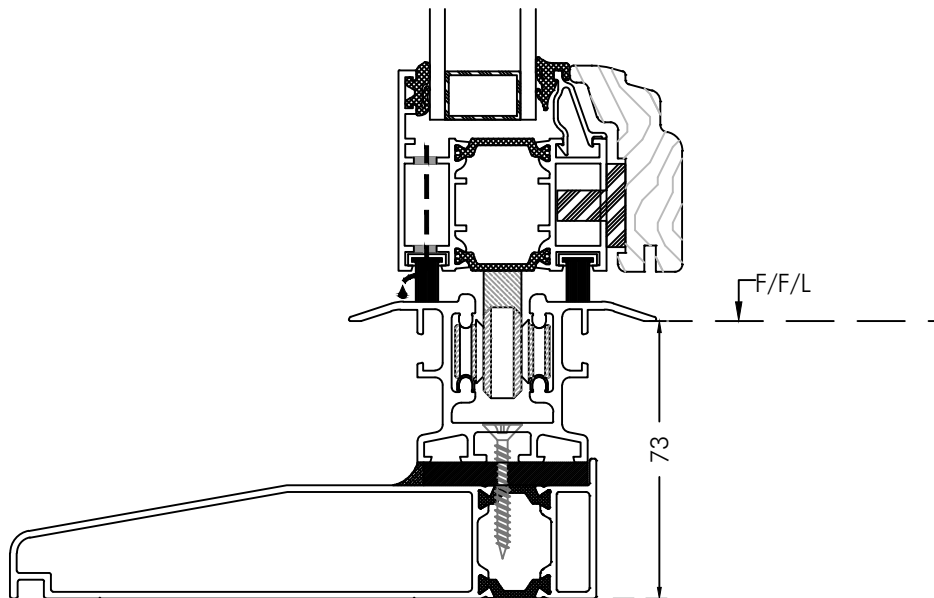
Detail No: **SF55C-22**

System: **SF55C**

**B**



**Option 5, Flush track**



**Option 6, Flush track on 155mm  
Thermally Broken Sill**

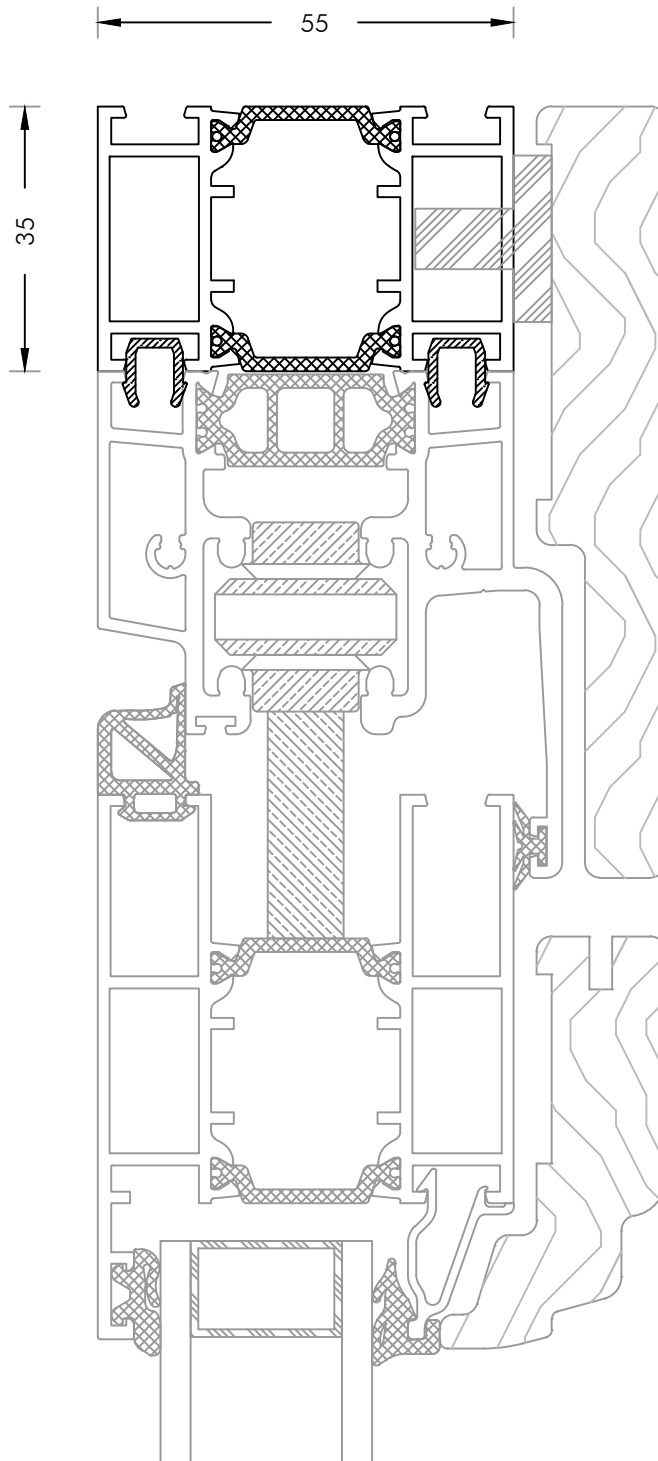
**Note: Flush Track Reduces Weather Rating  
Not Recommended for Exposed Locations**

Description **Vertical Section  
Threshold Options - Flush Track**

Detail No: **SF55C-23**

System: **SF55C**

**B**



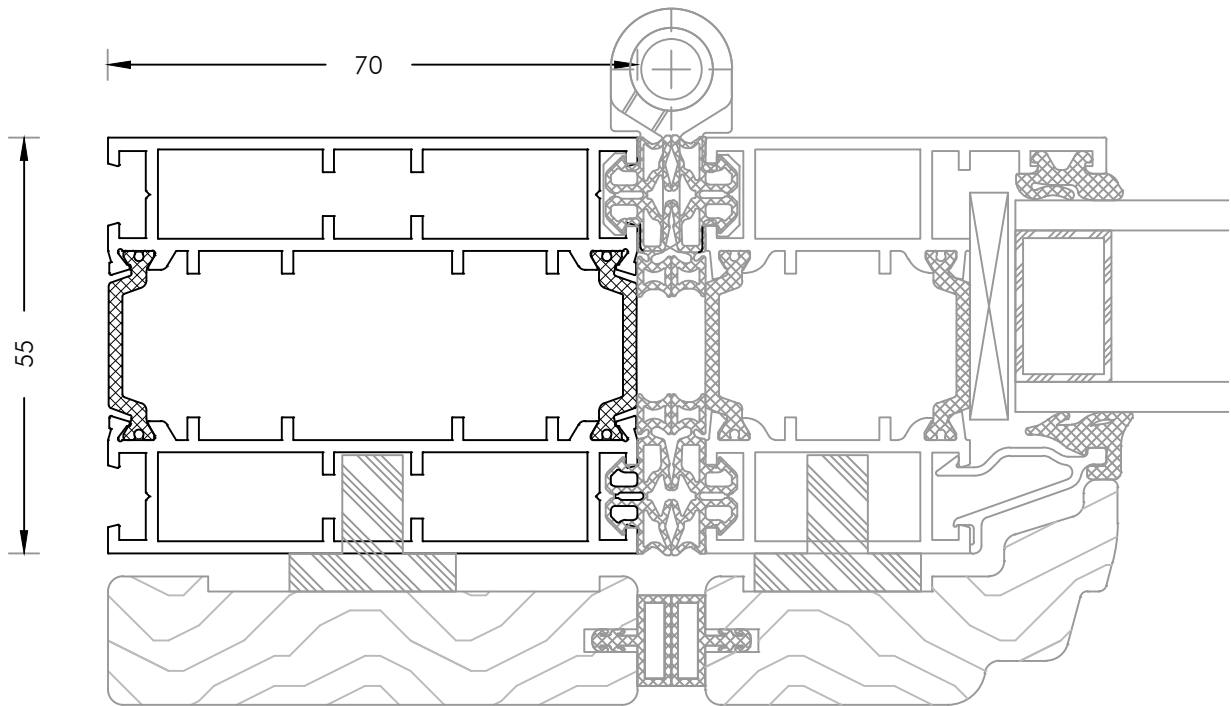
**35mm Add-on**

Description **Vertical Section  
Additional Profile**

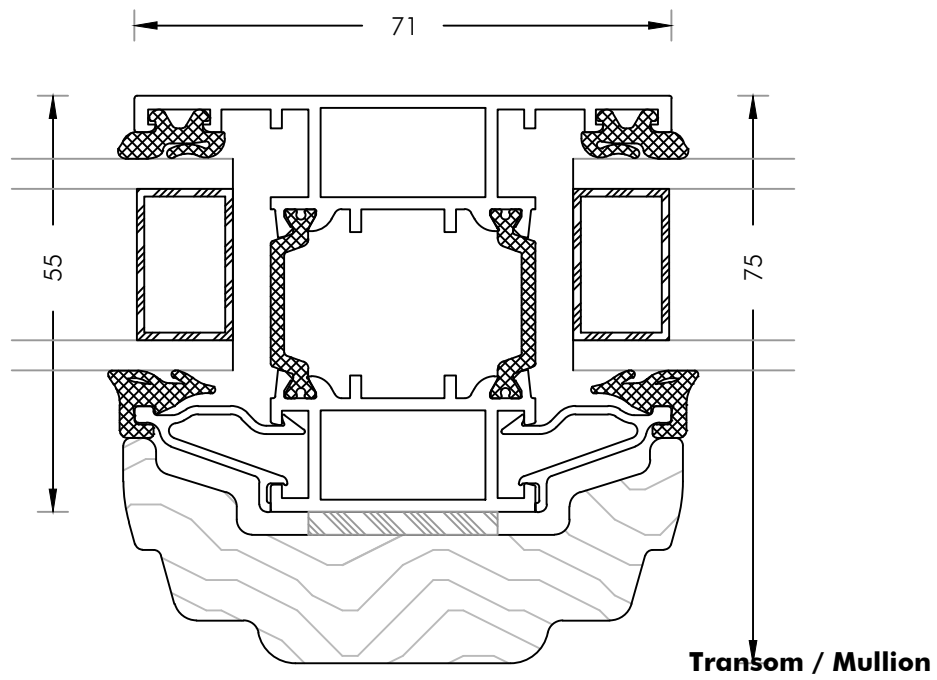
Detail No: **SF55C-24**

System: **SF55C**

**B**



**70mm Jamb**



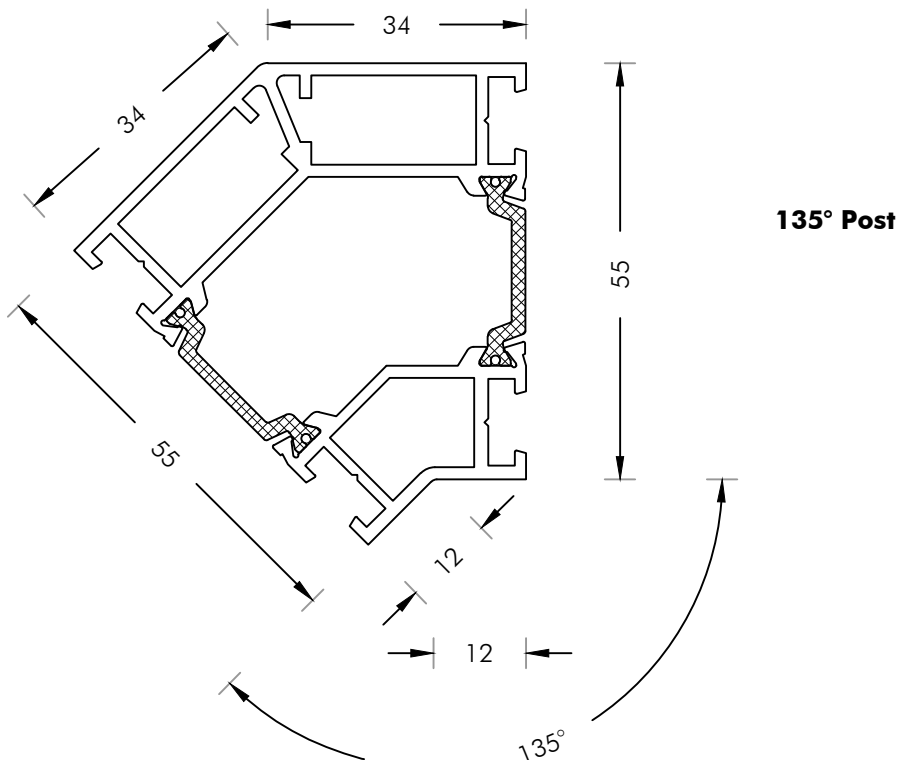
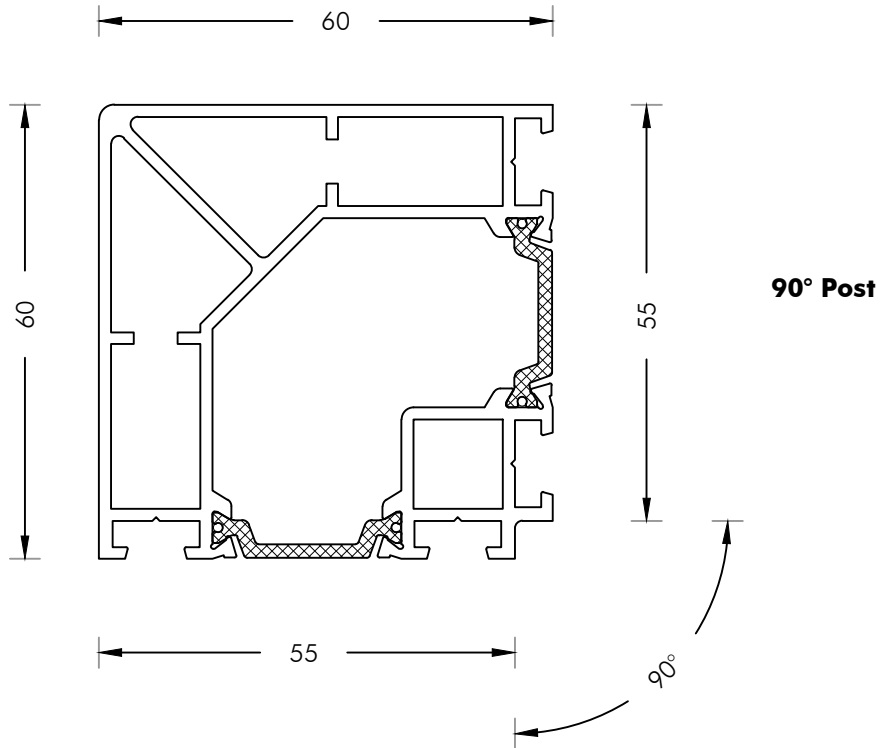
**Transom / Mullion**

Description **Horizontal Section  
Additional Profiles**

Detail No: **SF55C-25**

System: **SF55C**

**B**



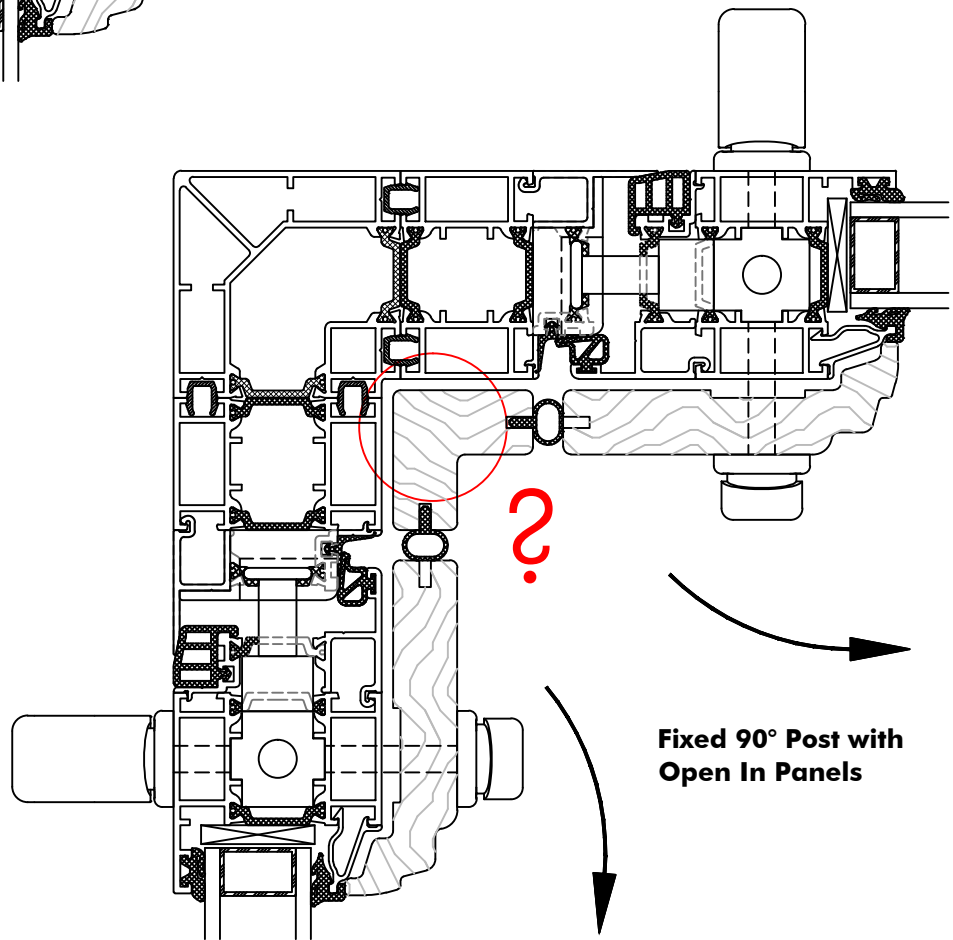
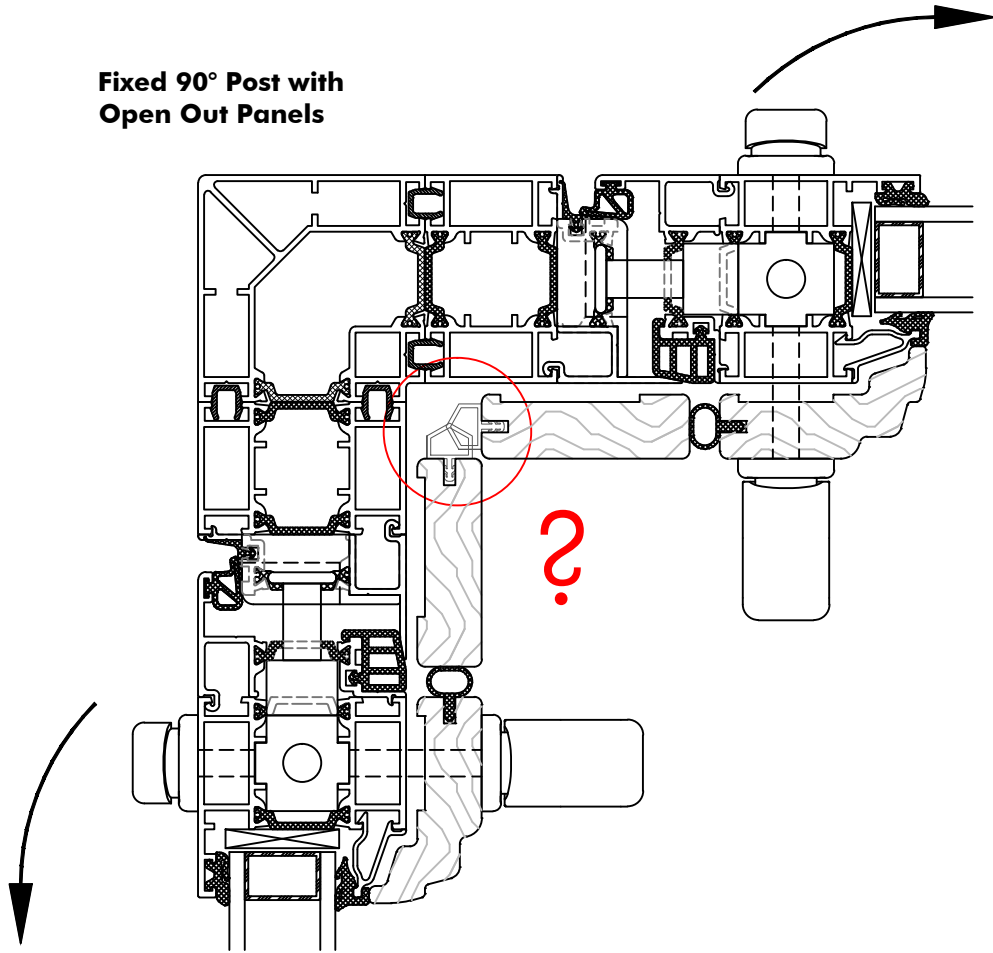
Description **Horizontal Section**  
**Vertical Post Options**

Detail No: **SF55C-26**

System: **SF55C**

**B**

**Fixed 90° Post with  
Open Out Panels**



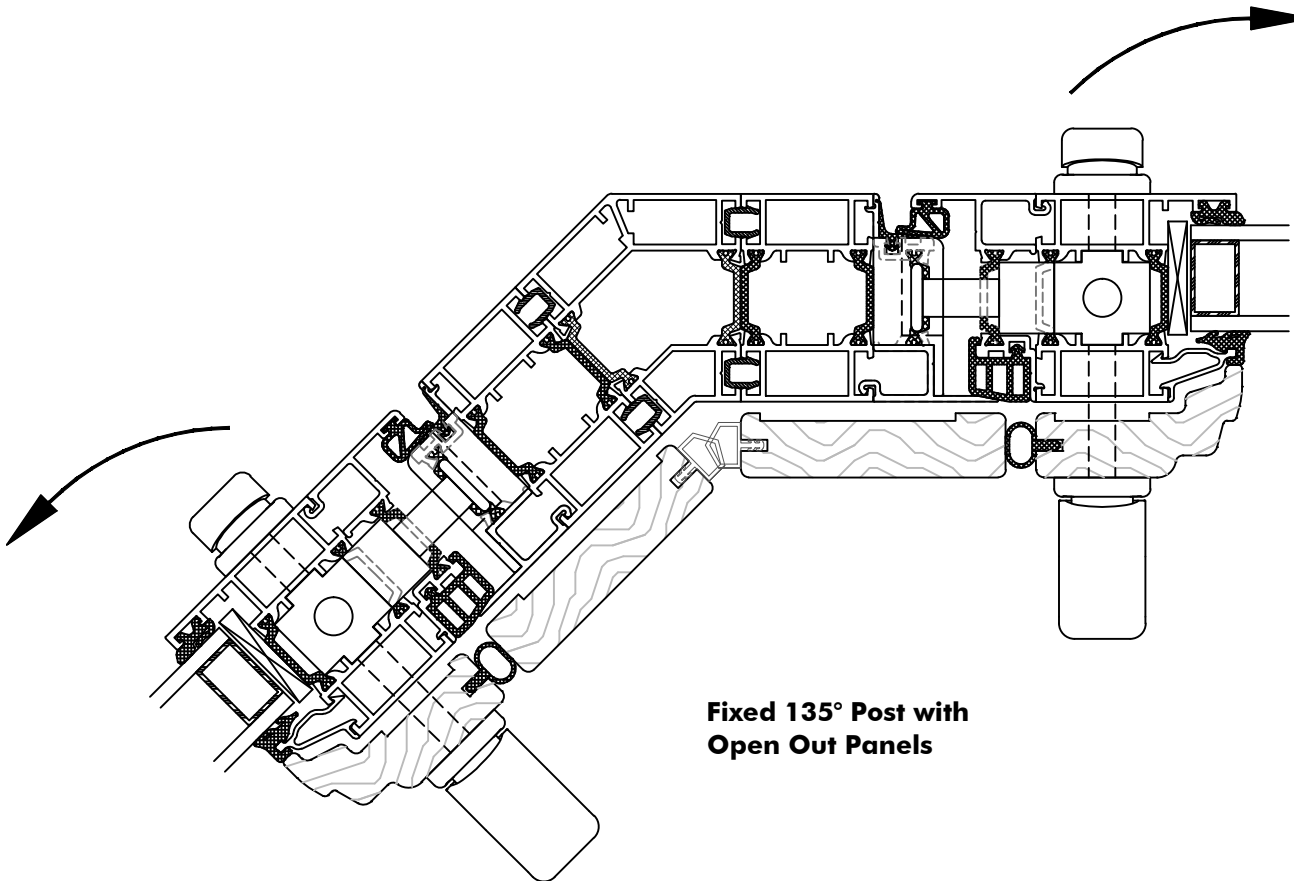
**Fixed 90° Post with  
Open In Panels**

Description **Horizontal Section  
Typical Fixed 90° Post Examples**

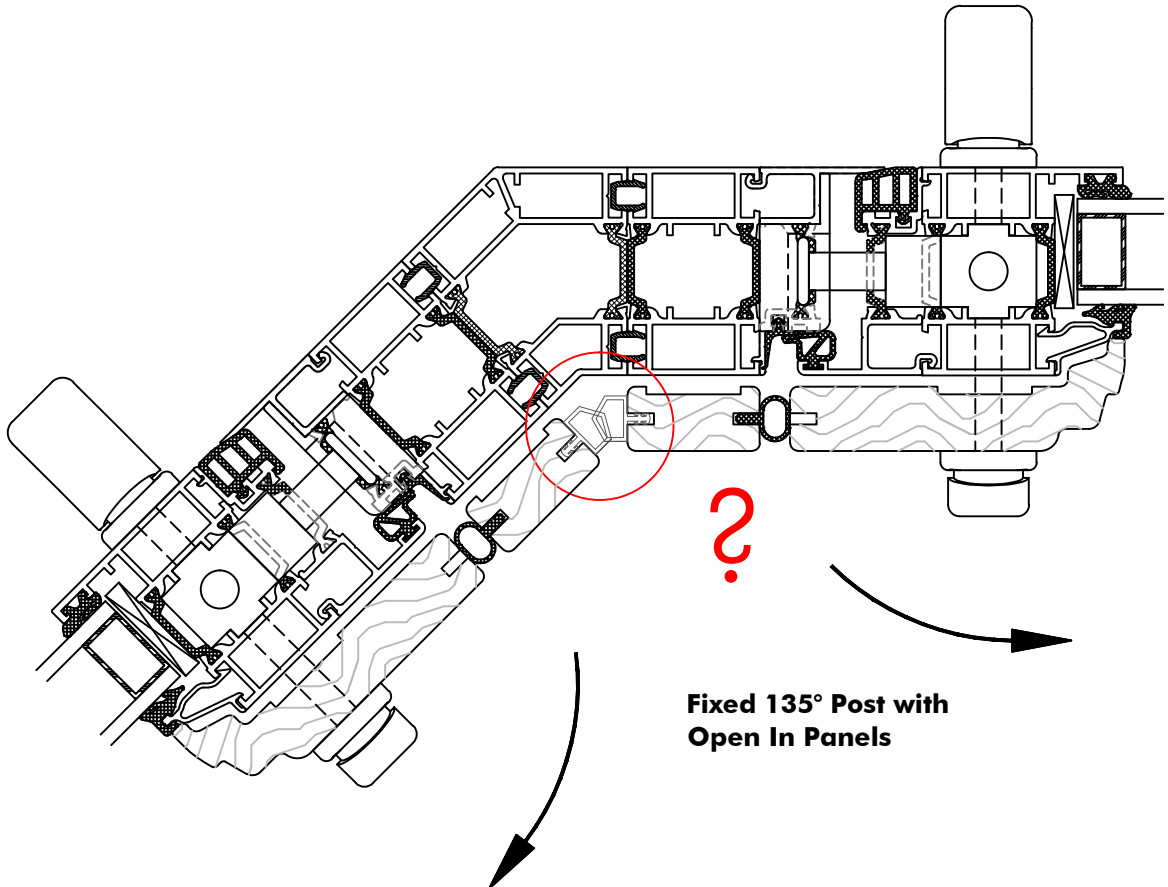
Detail No: **SF55C-27**

System: **SF55C**

**B**



**Fixed 135° Post with  
Open Out Panels**



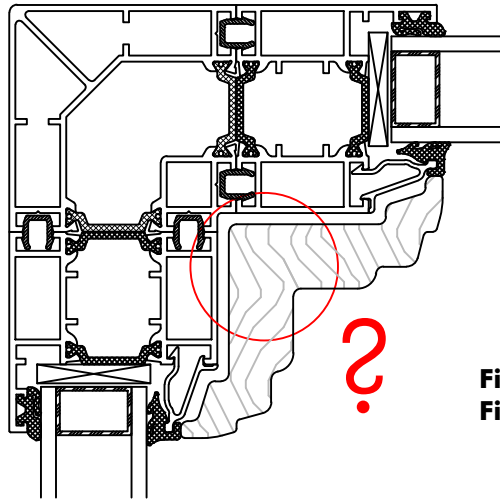
**Fixed 135° Post with  
Open In Panels**

Description **Horizontal Section  
Typical Fixed 135° Post Examples**

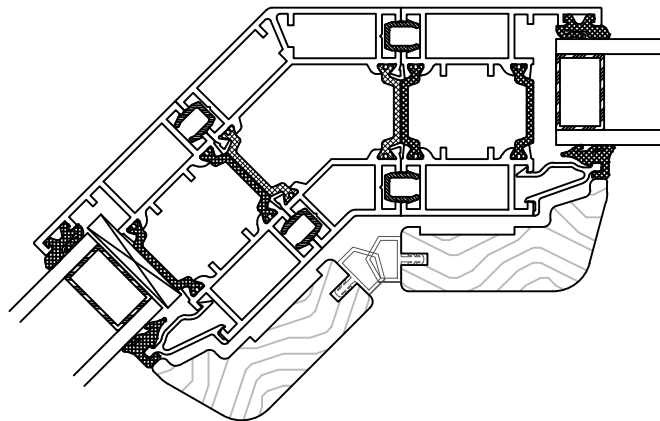
Detail No: **SF55C-28**

System: **SF55C**

**B**



**Fixed 90° Post with  
Fixed Panels**



**Fixed 135° Post with  
Fixed Panels**

Description **Horizontal Section  
Typical Fixed Post Examples**

Detail No: **SF55C-29**

System: **SF55C**

**B**