

SF55 Folding Door Product Manual

Contents:

SECTION A:

Standard Profiles

SECTION B:

Additional Profiles

SECTION C:

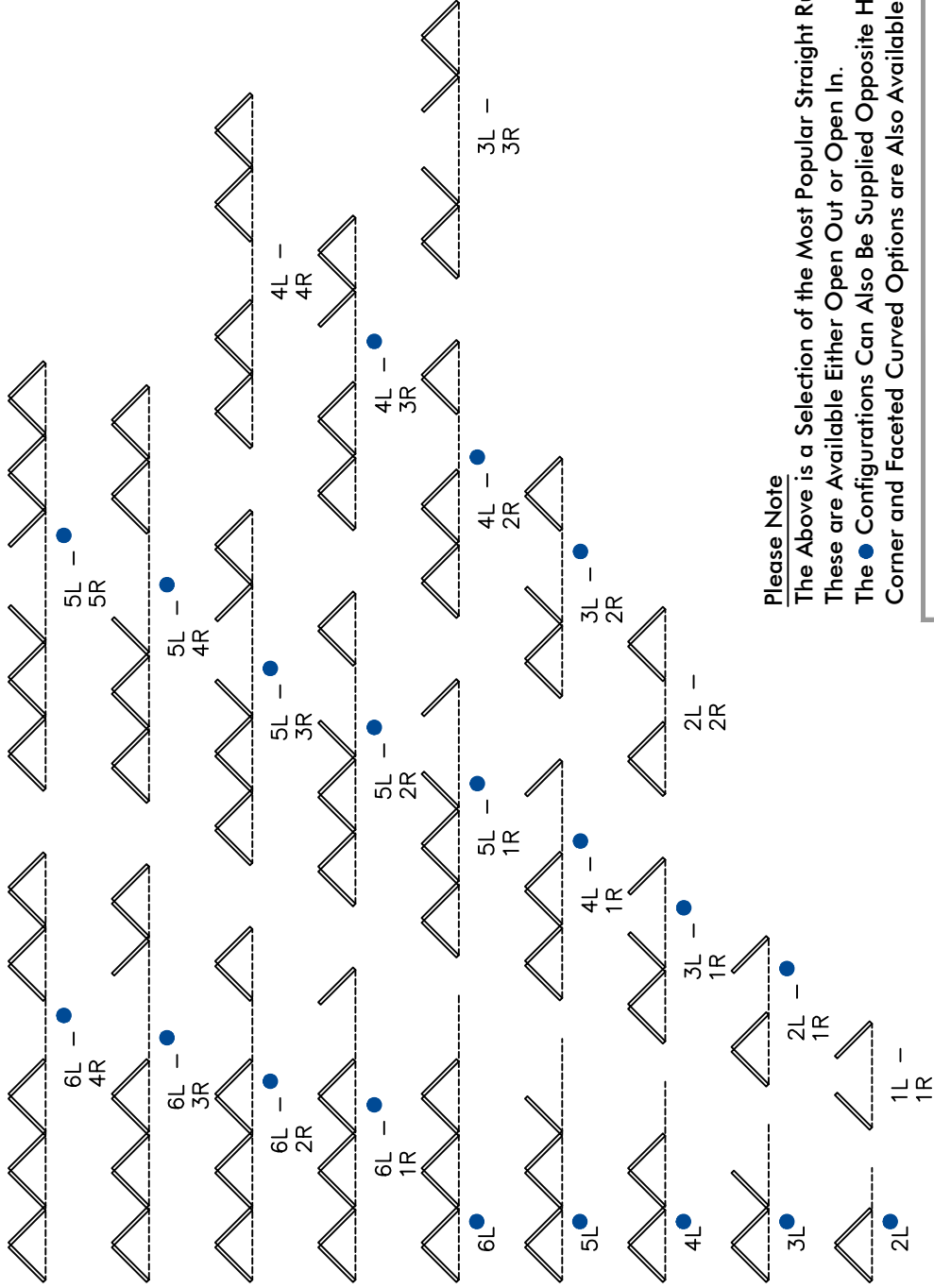
Typical Details

SECTION D:

Moving Post Details

SECTION E:

Statics



Please Note

The Above is a Selection of the Most Popular Straight Run Configurations. These are Available Either Open Out or Open In.
 The ● Configurations Can Also Be Supplied Opposite Hand.
 Corner and Faceted Curved Options are Also Available

Description **SF55**

Thermally Broken Aluminium Folding Sliding Door System
 Configuration Options

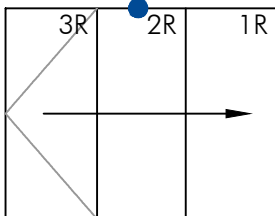
Detail No: **SF55-00**

System: **SF55**

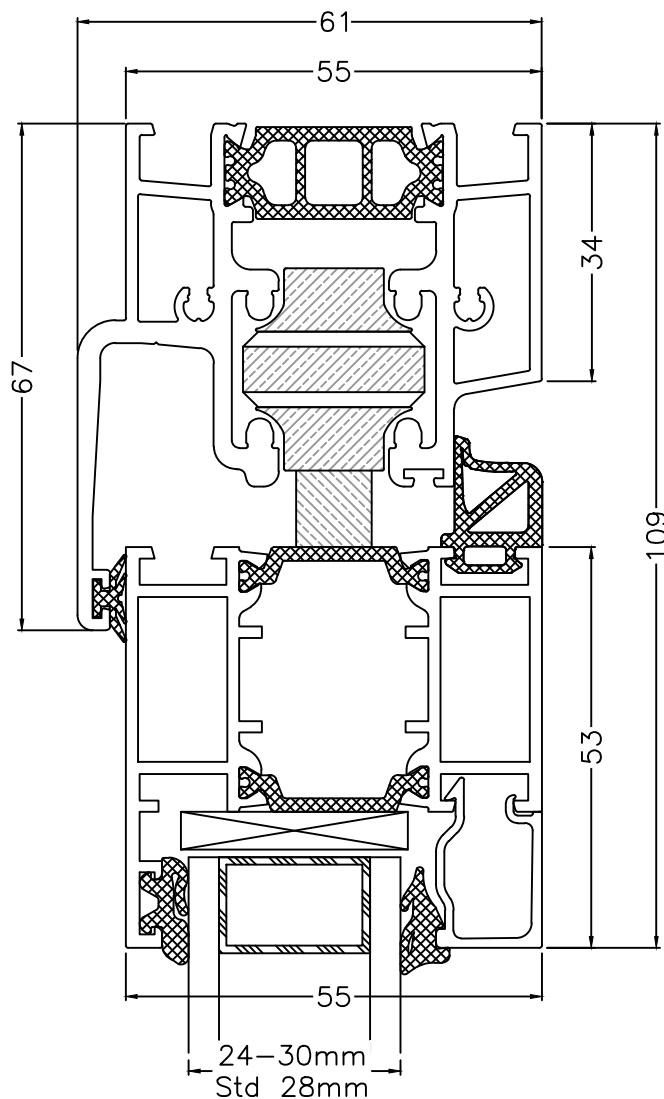
B

SF55 Folding Door

STANDARD PROFILES



OUTSIDE



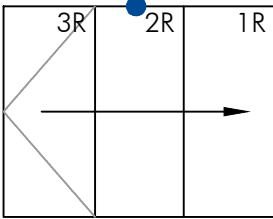
INSIDE

Description **Vertical Section - Connection**
Top Track - Panel / Open In

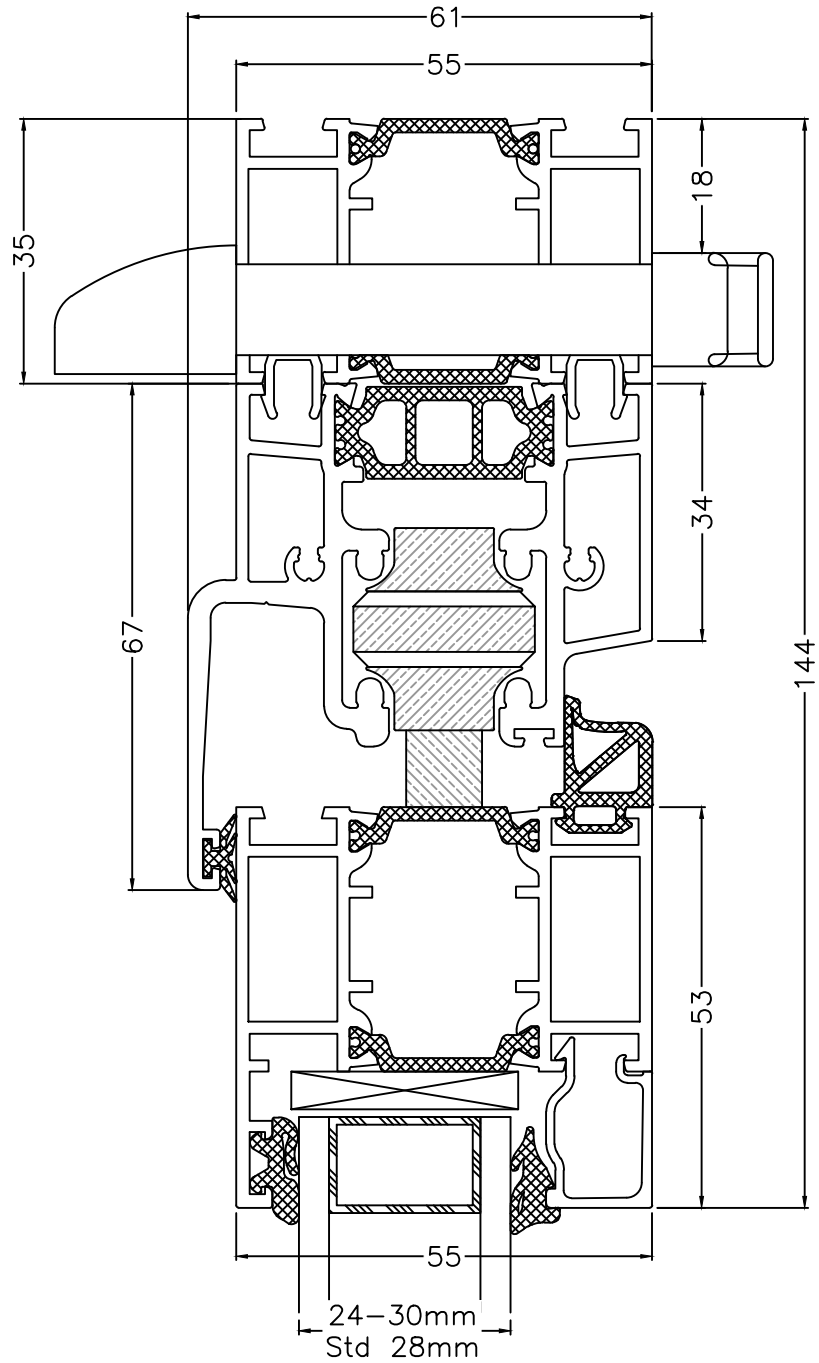
Detail No: **SF55-A-01A**

System: **SF55**

A



OUTSIDE



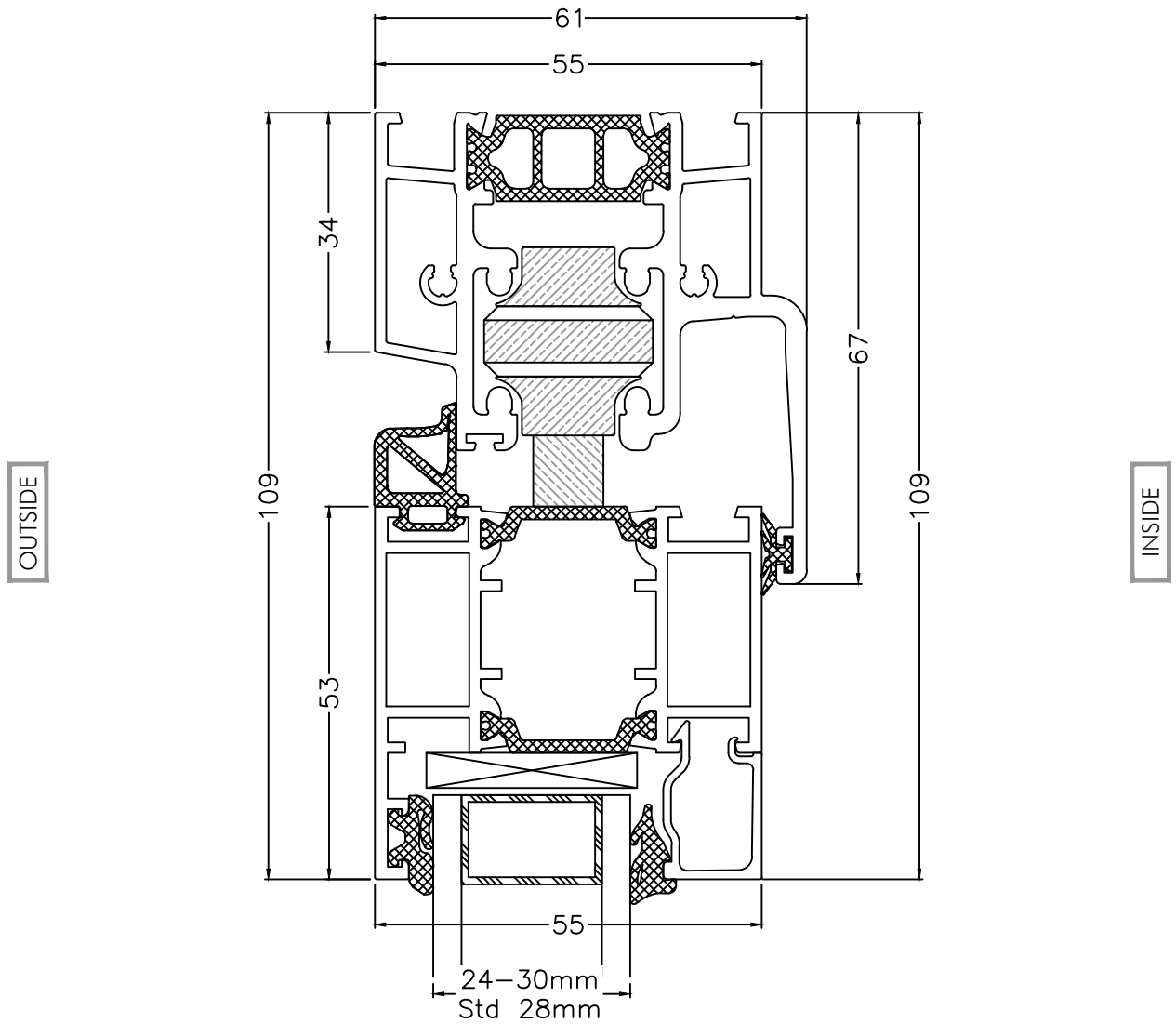
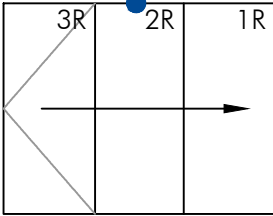
INSIDE

Description **Vertical Section - Connection**
Top Track With 35mm Extension And Trickle Vent - Panel / Open In

Detail No: **SF55-A-01B**

System: **SF55**

A

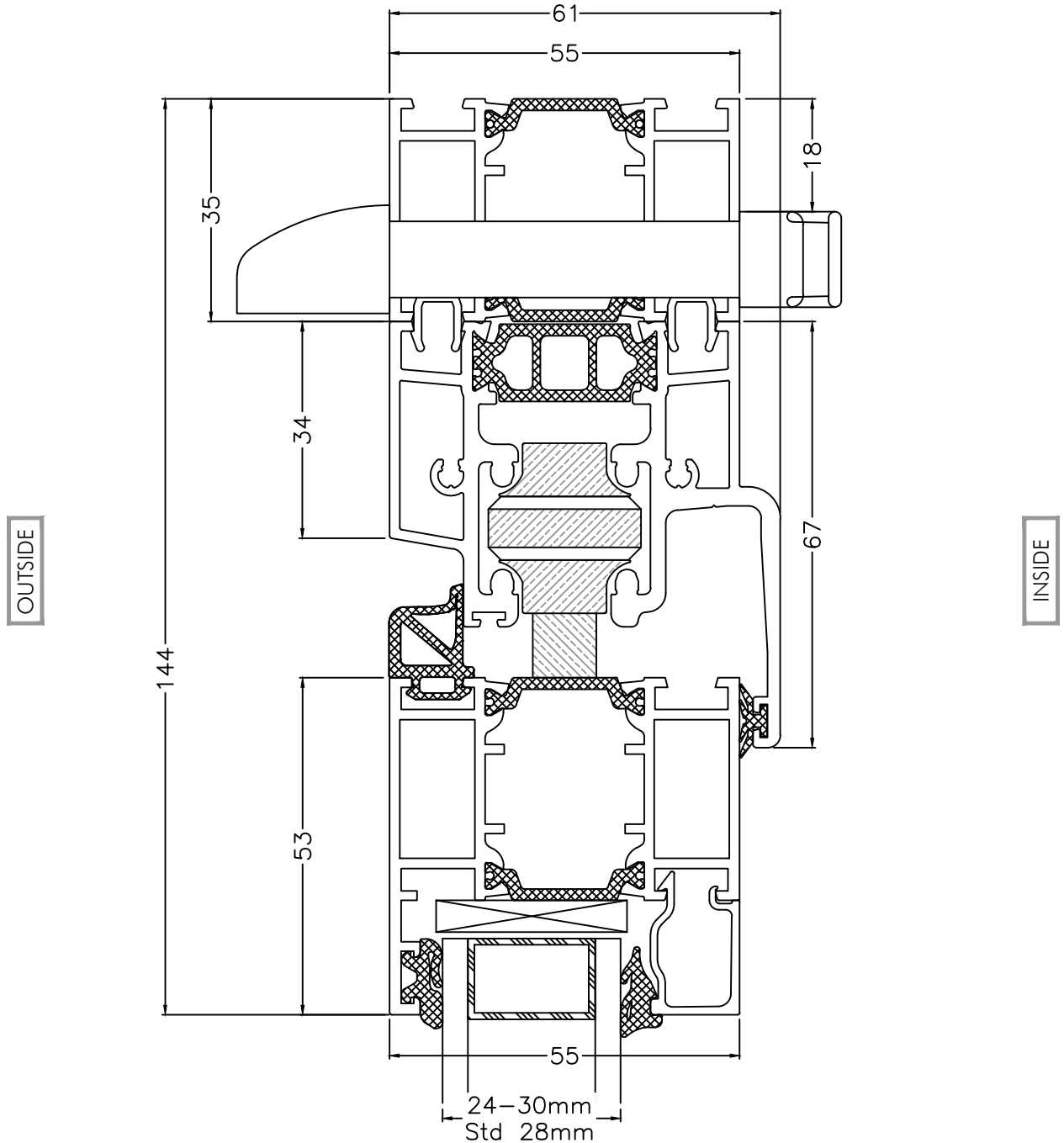
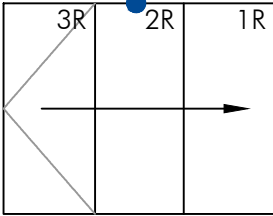


Description **Vertical Section - Connection**
Top Track - Panel / Open Out

Detail No: **SF55-A-01C**

System: **SF55**

A

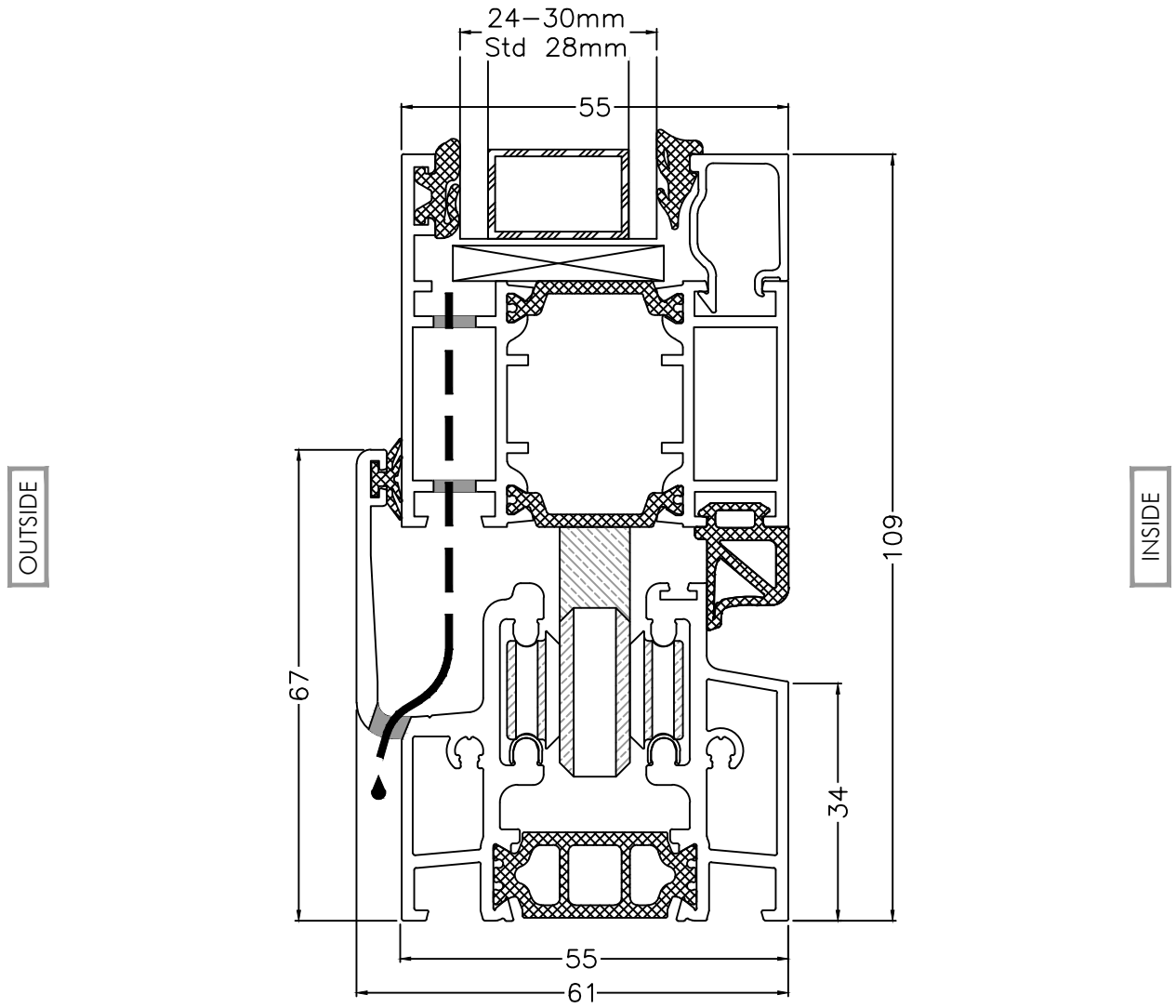
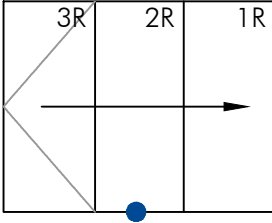


Description **Vertical Section - Connection**
Top Track With 35mm Extension And Trickle Vent - Panel / Open Out

Detail No: **SF55-A-01D**

System: **SF55**

A

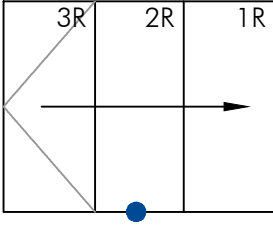


Description **Vertical Section - Connection**
Panel - Bottom Weathered Track / Open In

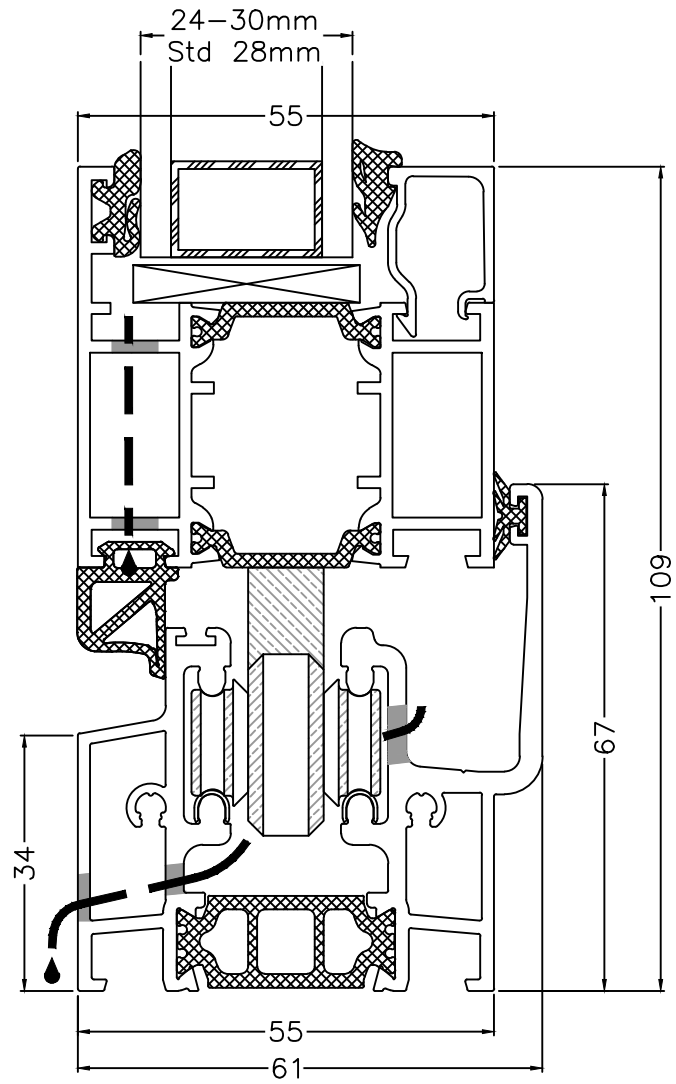
Detail No: **SF55-A-02A**

System: **SF55**

A



OUTSIDE



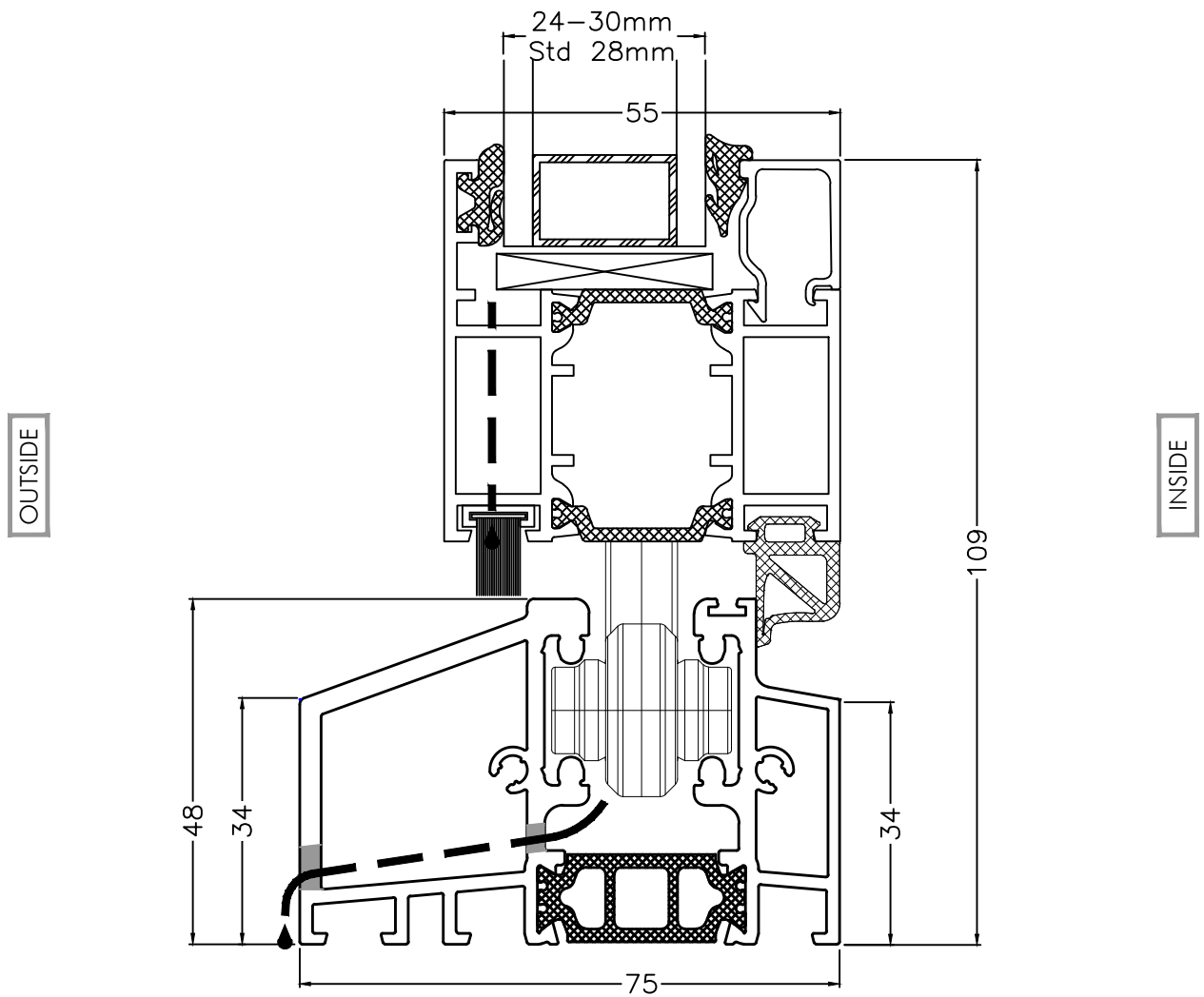
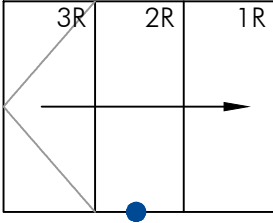
INSIDE

Description **Vertical Section - Connection**
Panel - Bottom Weathered Track / Open Out

Detail No: **SF55-A-02B**

System: **SF55**

A

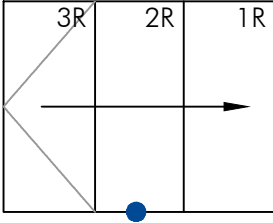


Description **Vertical Section - Connection**
Panel - Bottom Low Threshold Track / Open In

Detail No: **SF55-A-02C**

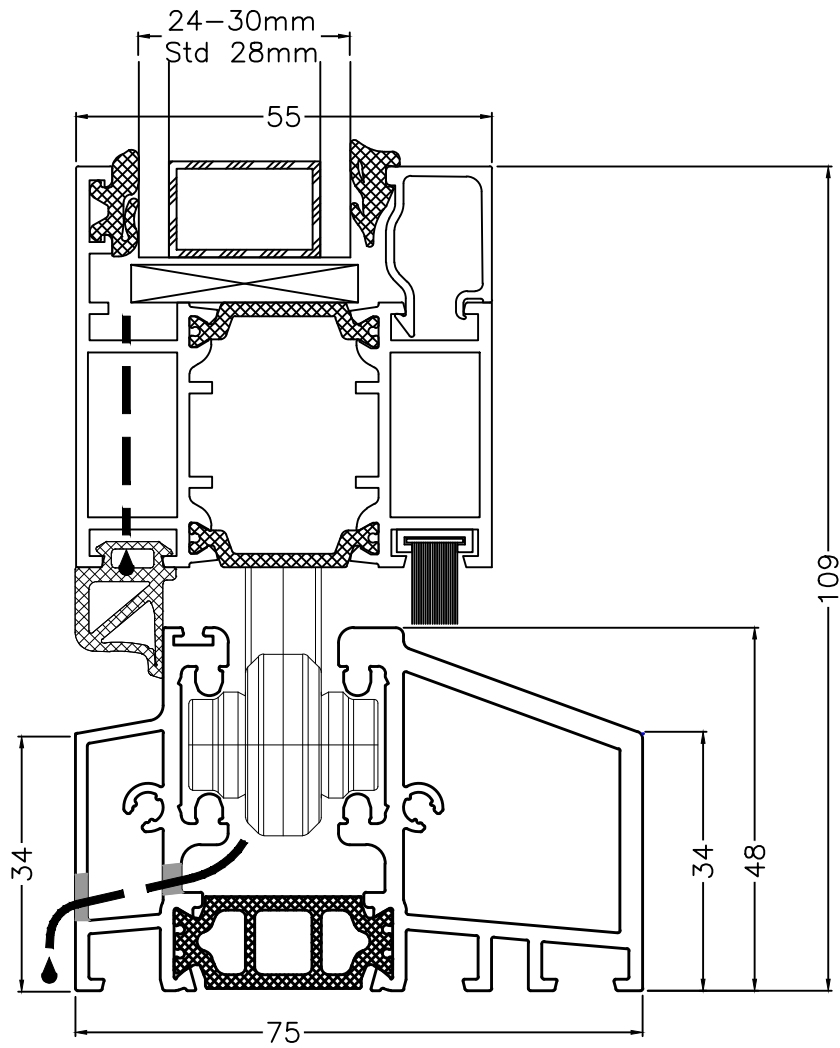
System: **SF55**

A



OUTSIDE

INSIDE

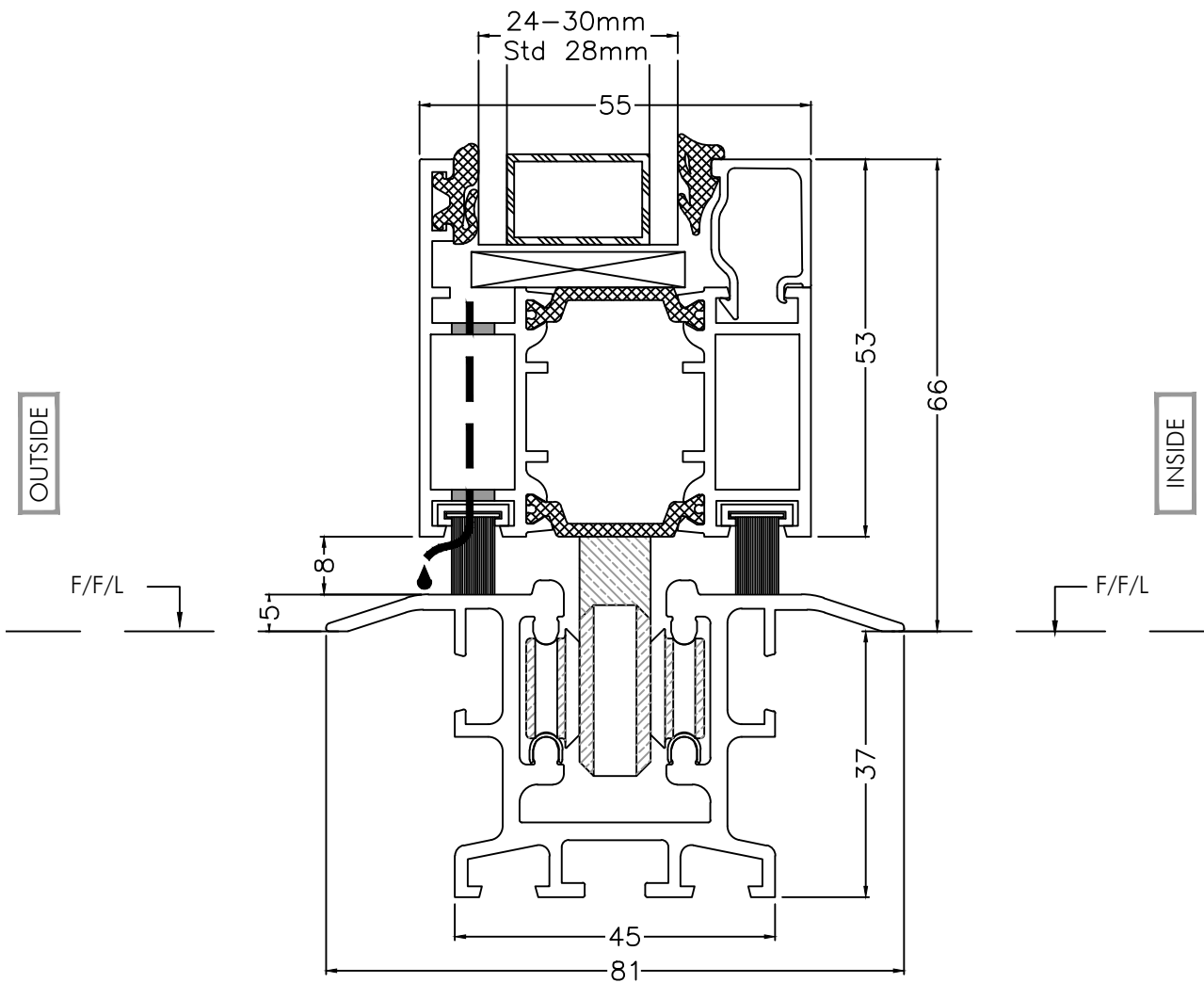
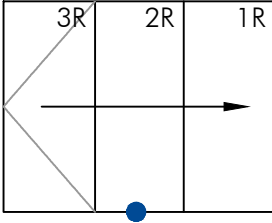


Description **Vertical Section - Connection**
Panel - Bottom Low Threshold Track / Open Out

Detail No: **SF55-A-02D**

System: **SF55**

A



Note:

Flush Track Reduces Weather Rating Designed For Internal Use Only

For Exposed Locations Please Use Low Threshold Track Option If Possible

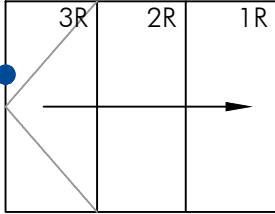
If Used Externally, We Recommend External Floor Level (Unless Decking), is Laid with a Fall Away from the Track to Reduce Risk Of Water Ingress

Description **Vertical Section - Connection
Panel - Bottom Flush Track**

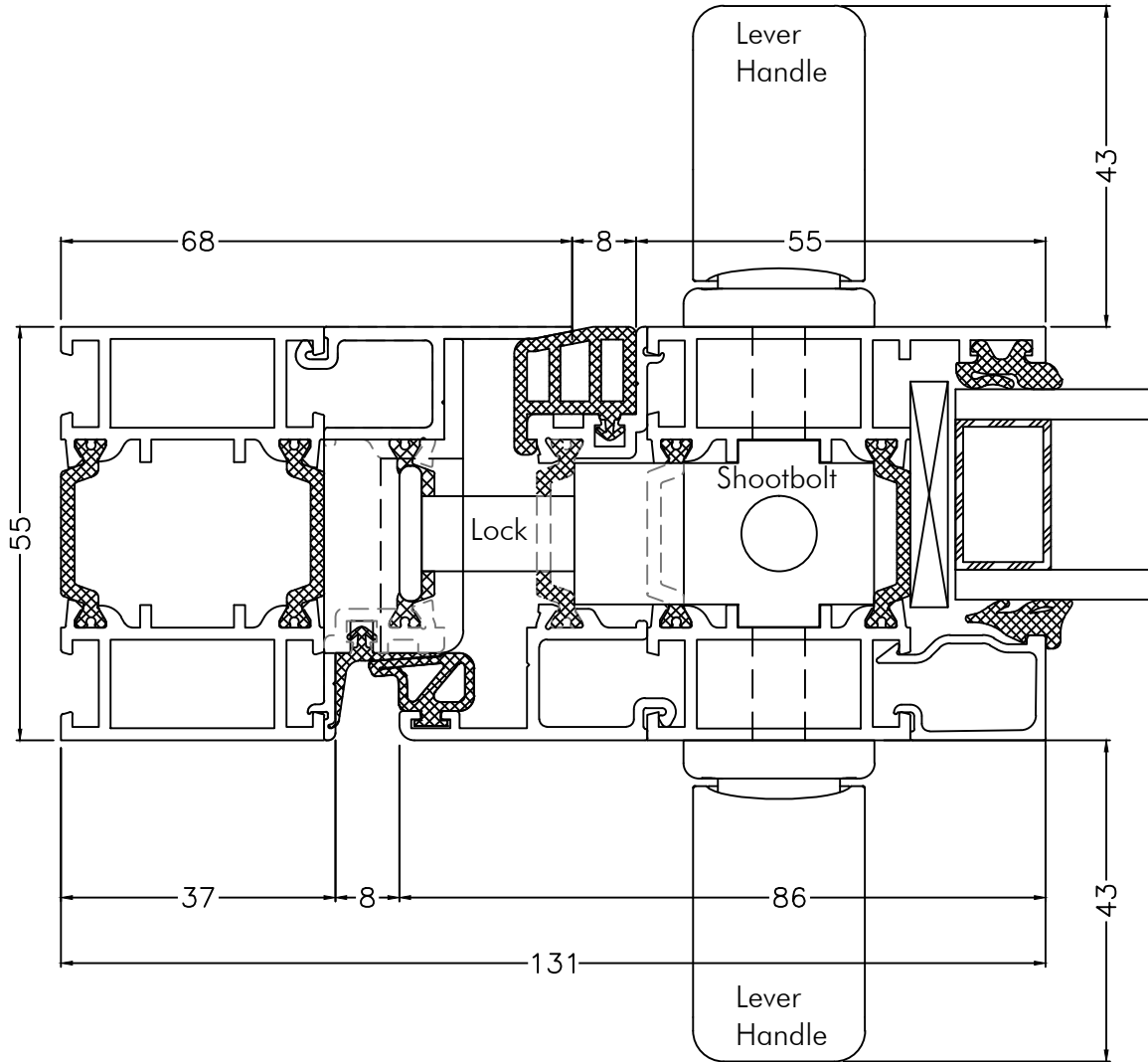
Detail No: **SF55-A-02E**

System: **SF55**

A



OUTSIDE



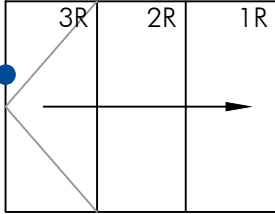
INSIDE

Description **Horizontal Section - Connection**
Closing Jamb - Panel 3R / Open In

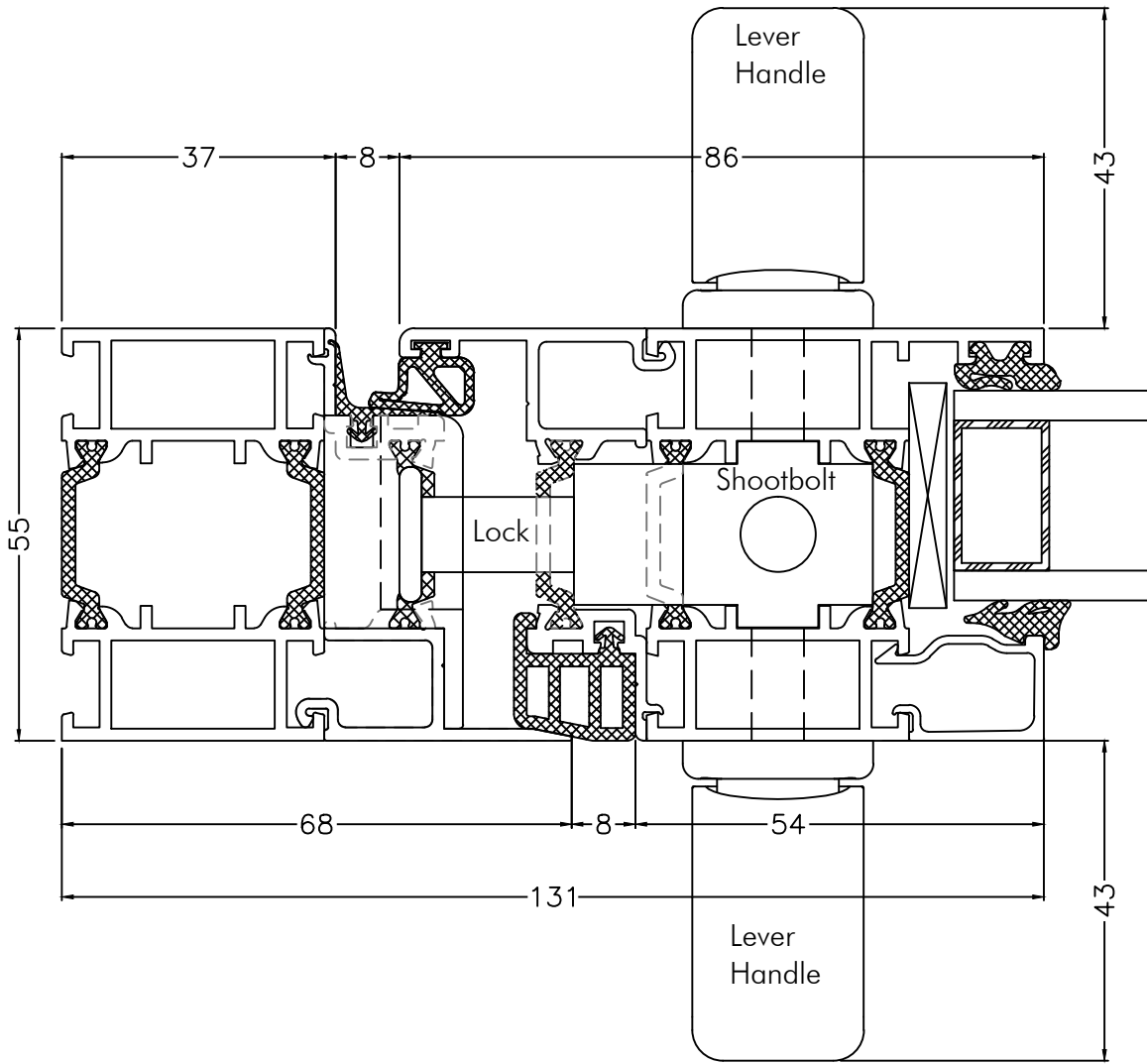
Detail No: **SF55-A-03A**

System: **SF55**

A



OUTSIDE



INSIDE

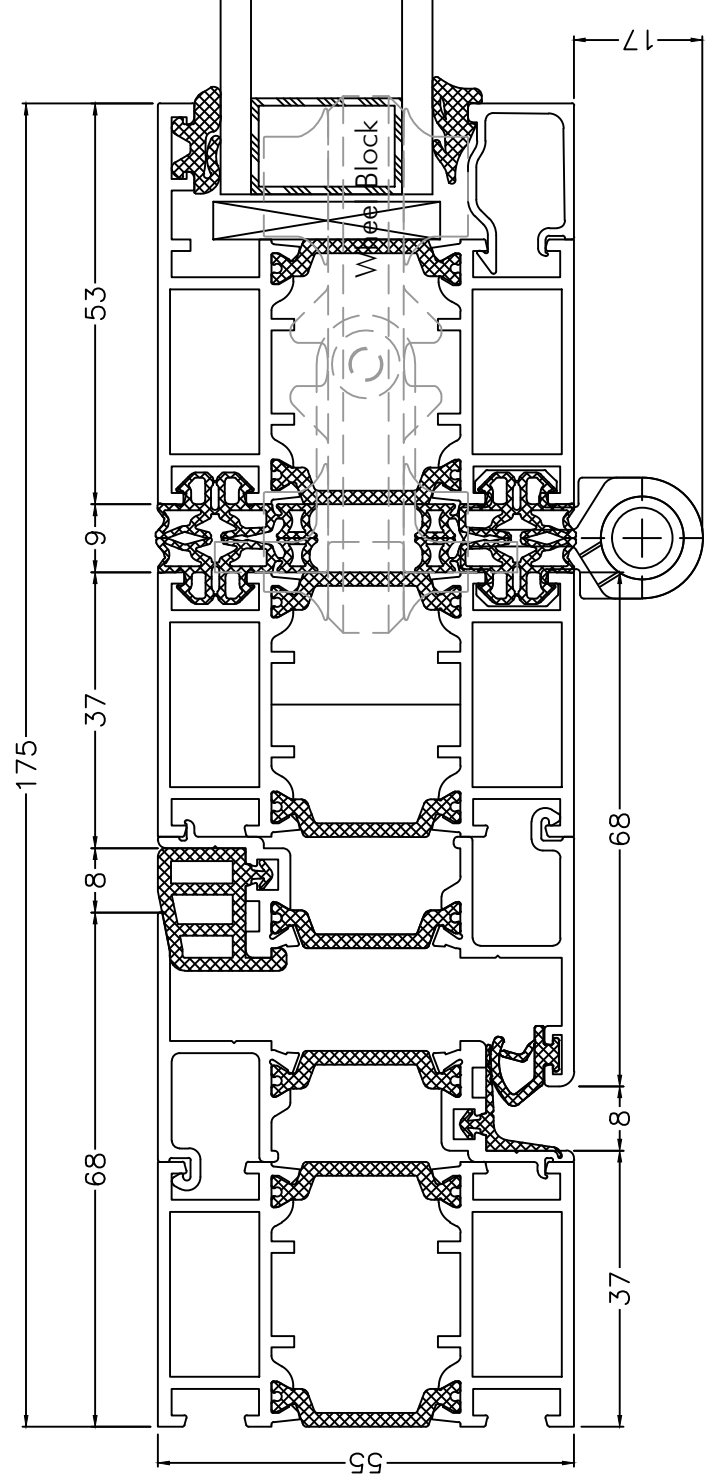
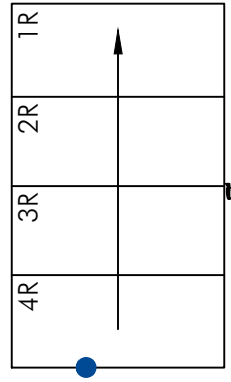
Description **Horizontal Section - Connection**
Closing Jamb - Panel 3R / Open Out

Detail No: **SF55-A-03B**

System: **SF55**

A

OUTSIDE



INSIDE

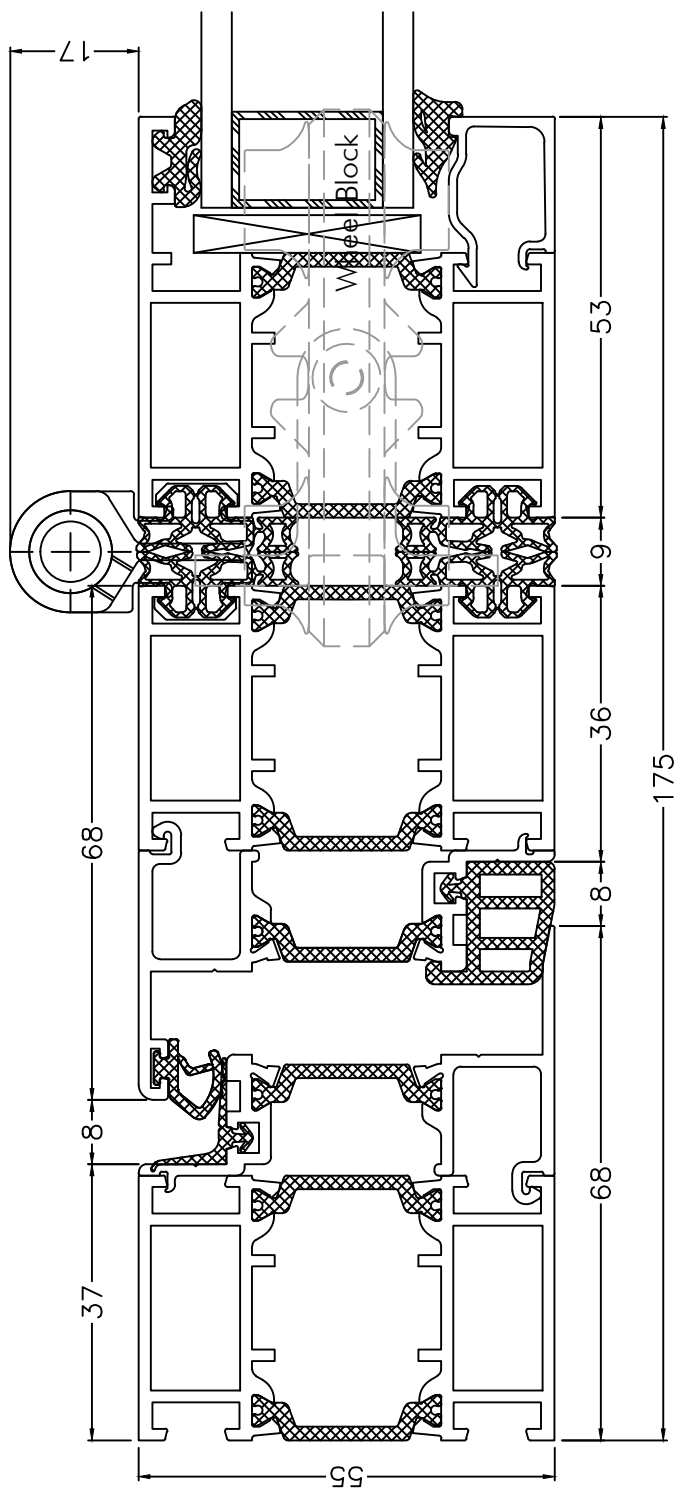
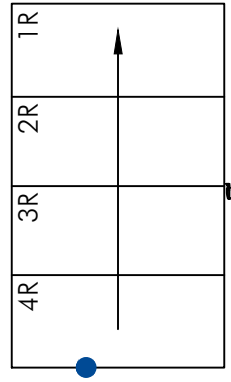
Description Horizontal Section - Connection
Closing Jamb - Sliding Post - Panel 4R / Open In

Detail No: SF55-A-03C

System: SF55

A

OUTSIDE

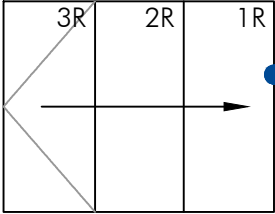


INSIDE

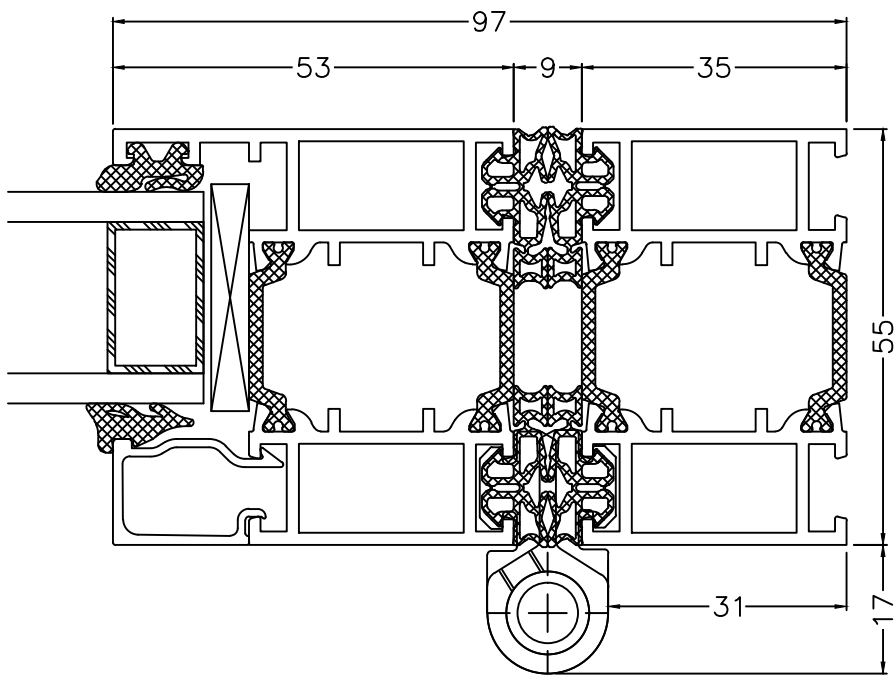
Description Horizontal Section - Connection
Closing Jamb - Sliding Post - Panel 4R / Open Out

Detail No: SF55-A-03D

System: SF55 A



OUTSIDE



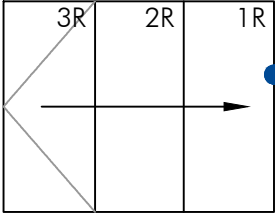
INSIDE

Description **Horizontal Section - Connection**
Panel 1R - Hinge Jamb / Open In

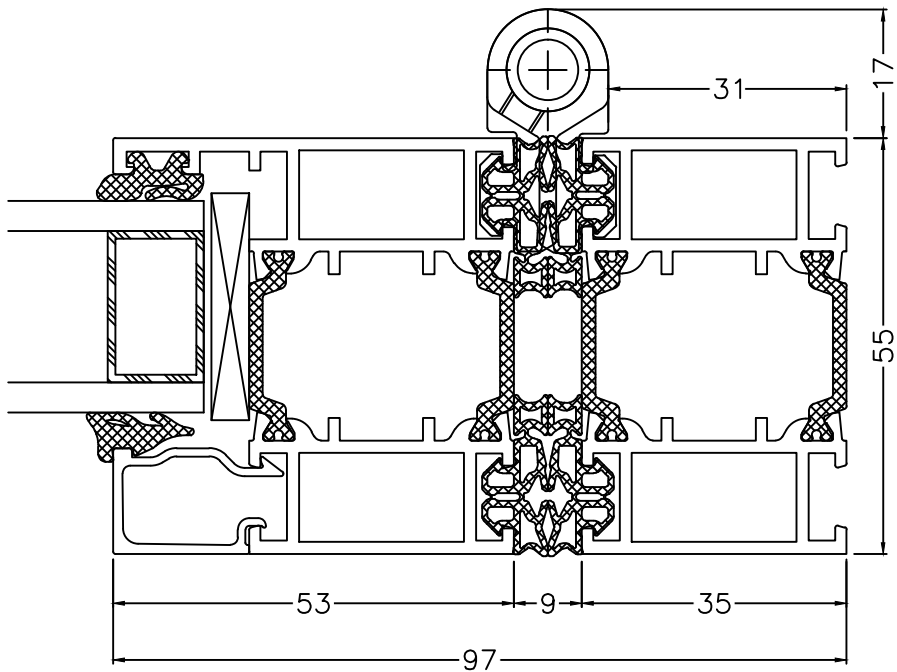
Detail No: **SF55-A-04A**

System: **SF55**

A



OUTSIDE



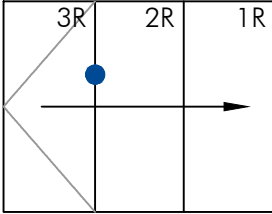
INSIDE

Description **Horizontal Section - Connection**
Panel 1R - Hinge Jamb / Open Out

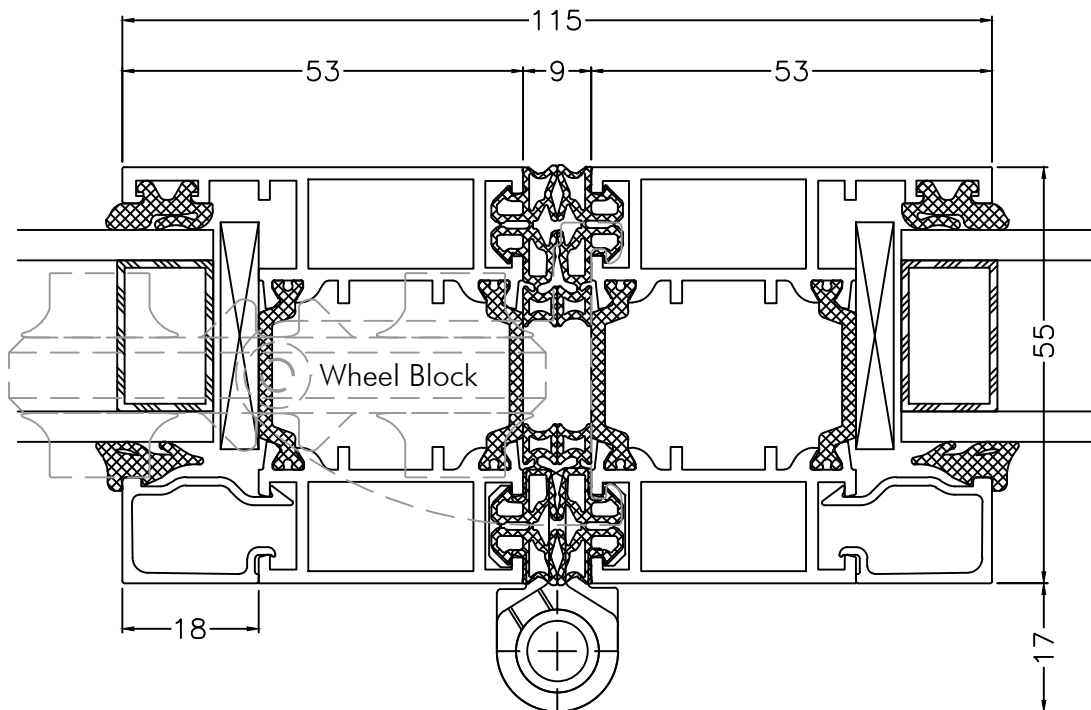
Detail No: **SF55-A-04B**

System: **SF55**

A



OUTSIDE



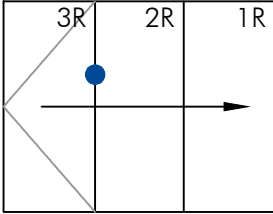
INSIDE

Description **Horizontal Section - Connection**
Panel 3R - Panel 2R / Open In

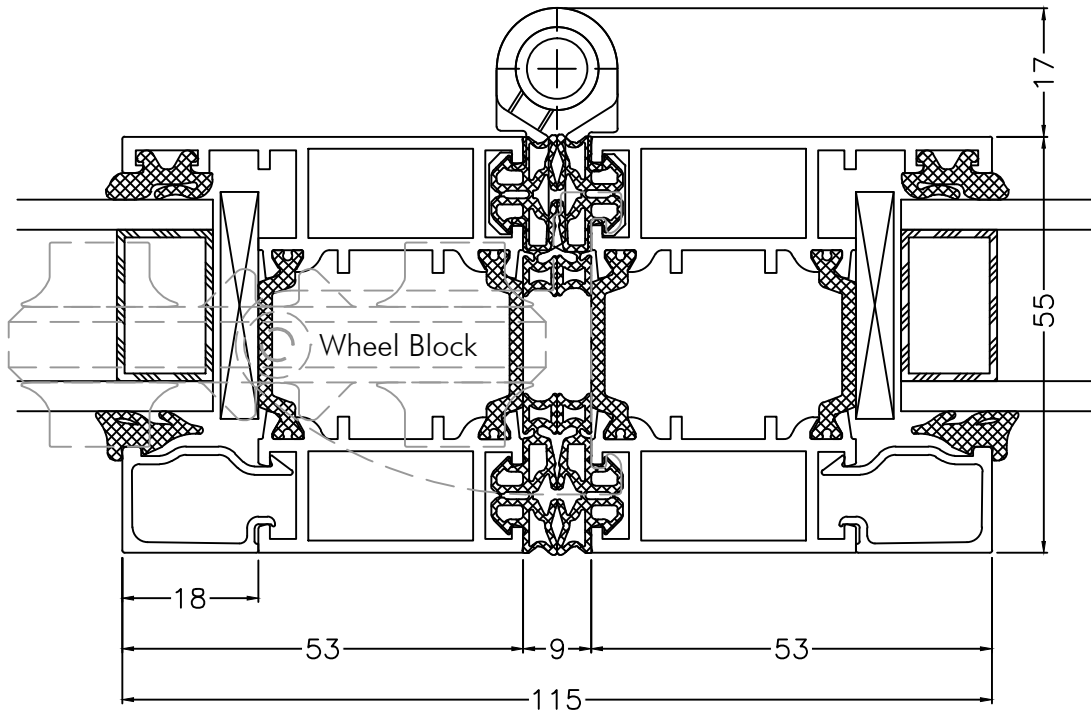
Detail No: **SF55-A-05A**

System: **SF55**

A



OUTSIDE



INSIDE

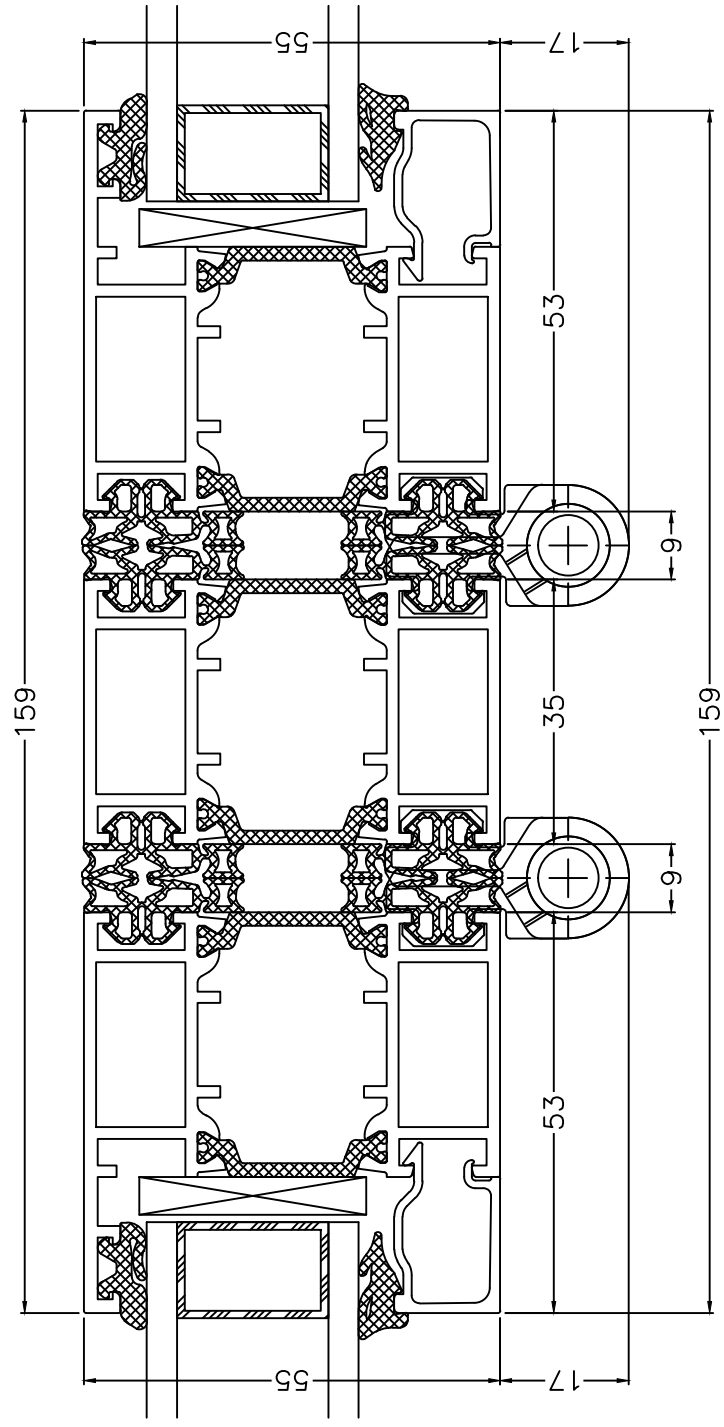
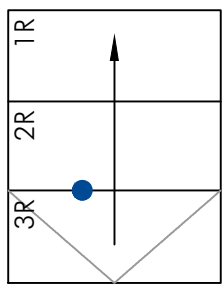
Description **Horizontal Section - Connection**
Panel 3R - Panel 2R / Open Out

Detail No: **SF55-A-05B**

System: **SF55**

A

OUTSIDE



INSIDE

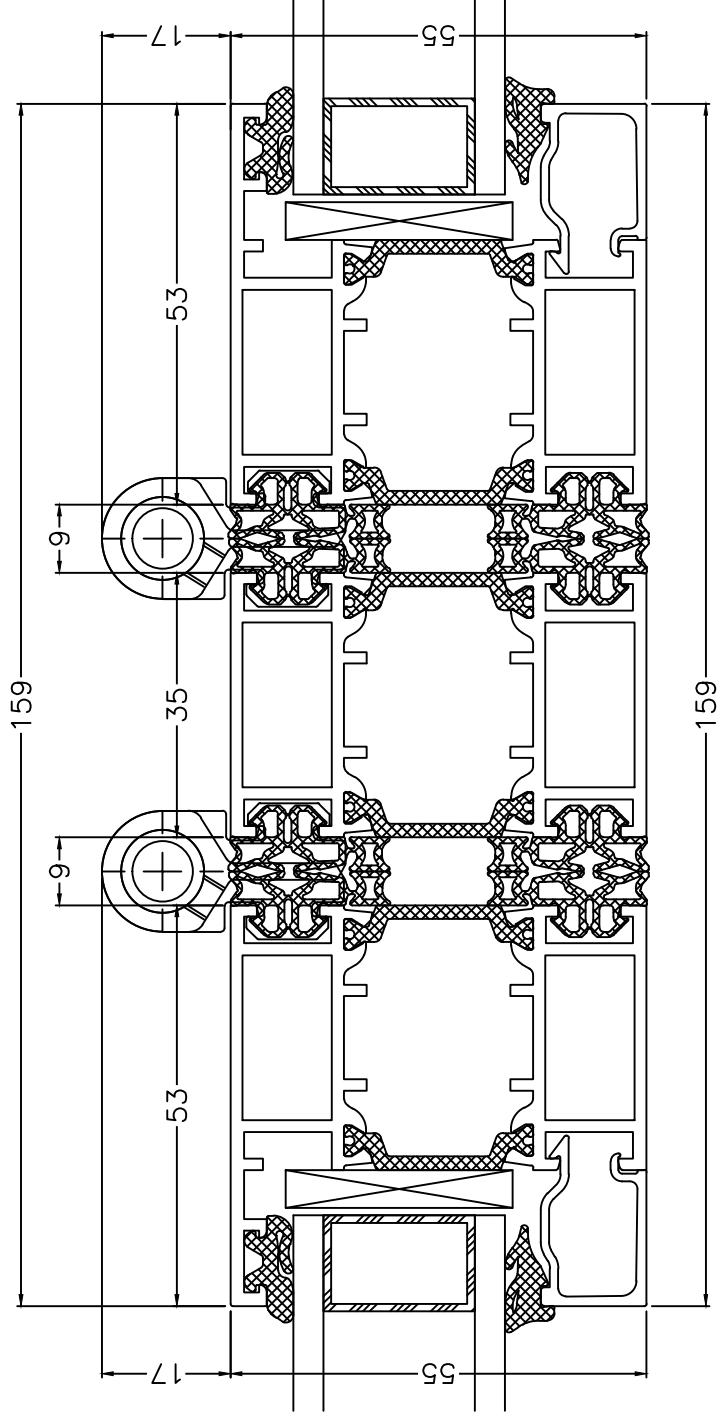
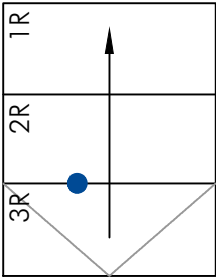
Description Horizontal Section - Connection
 Panel 2R - Panel 1R Additional Sliding Post / Open In

Detail No: SF55-A-05C

System: SF55

A

OUTSIDE



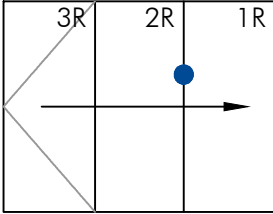
INSIDE

Description Horizontal Section - Connection
Panel 2R - Panel 1R Additional Sliding Post / Open Out

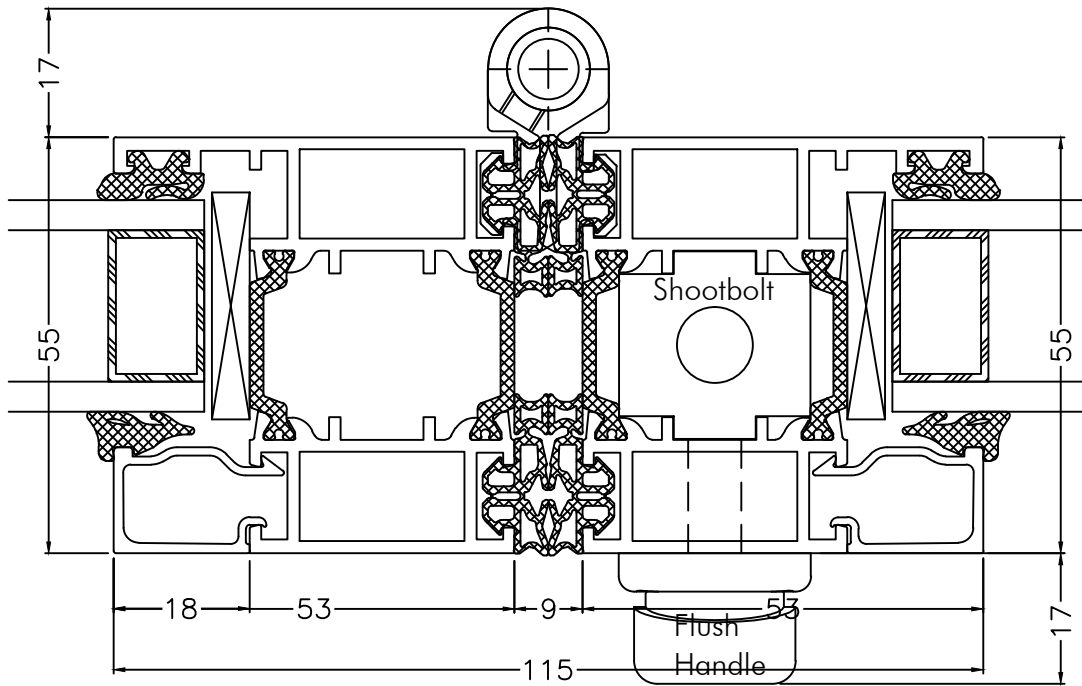
Detail No: SF55-A-05D

System: SF55

A



OUTSIDE



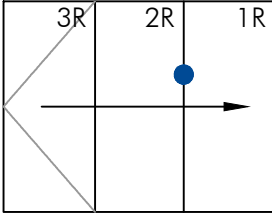
INSIDE

Description **Horizontal Section - Connection**
Panel 2R - Panel 1R / Open In

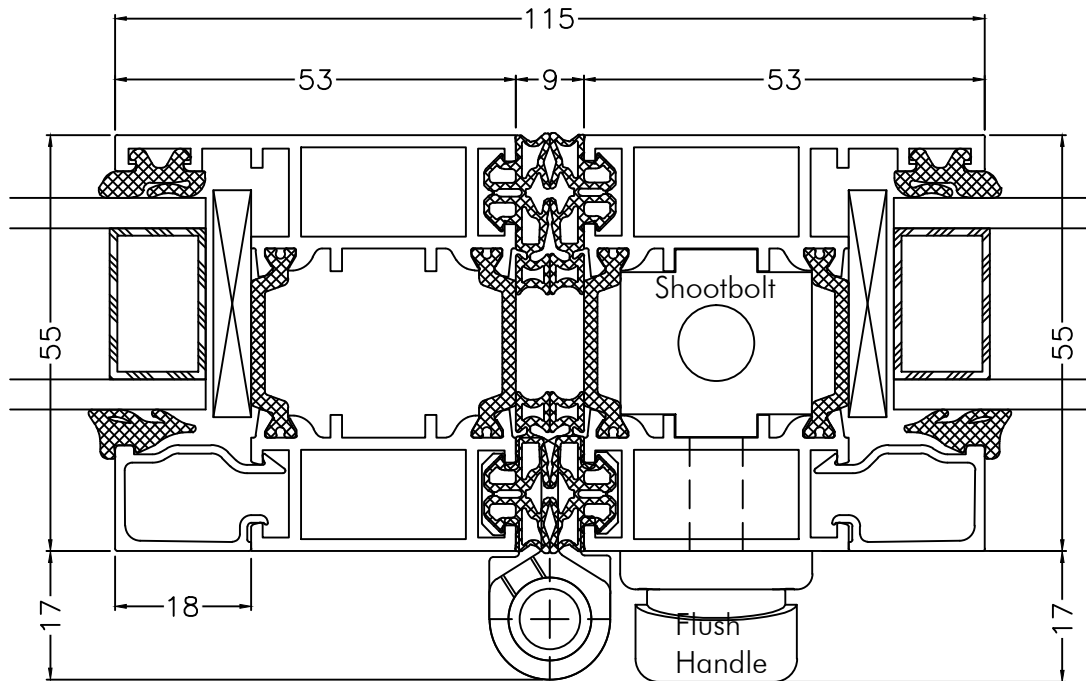
Detail No: **SF55-A-06A**

System: **SF55**

A



OUTSIDE



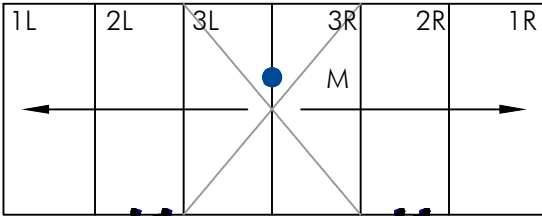
INSIDE

Description **Horizontal Section - Connection**
Panel 2R - Panel 1R / Open Out

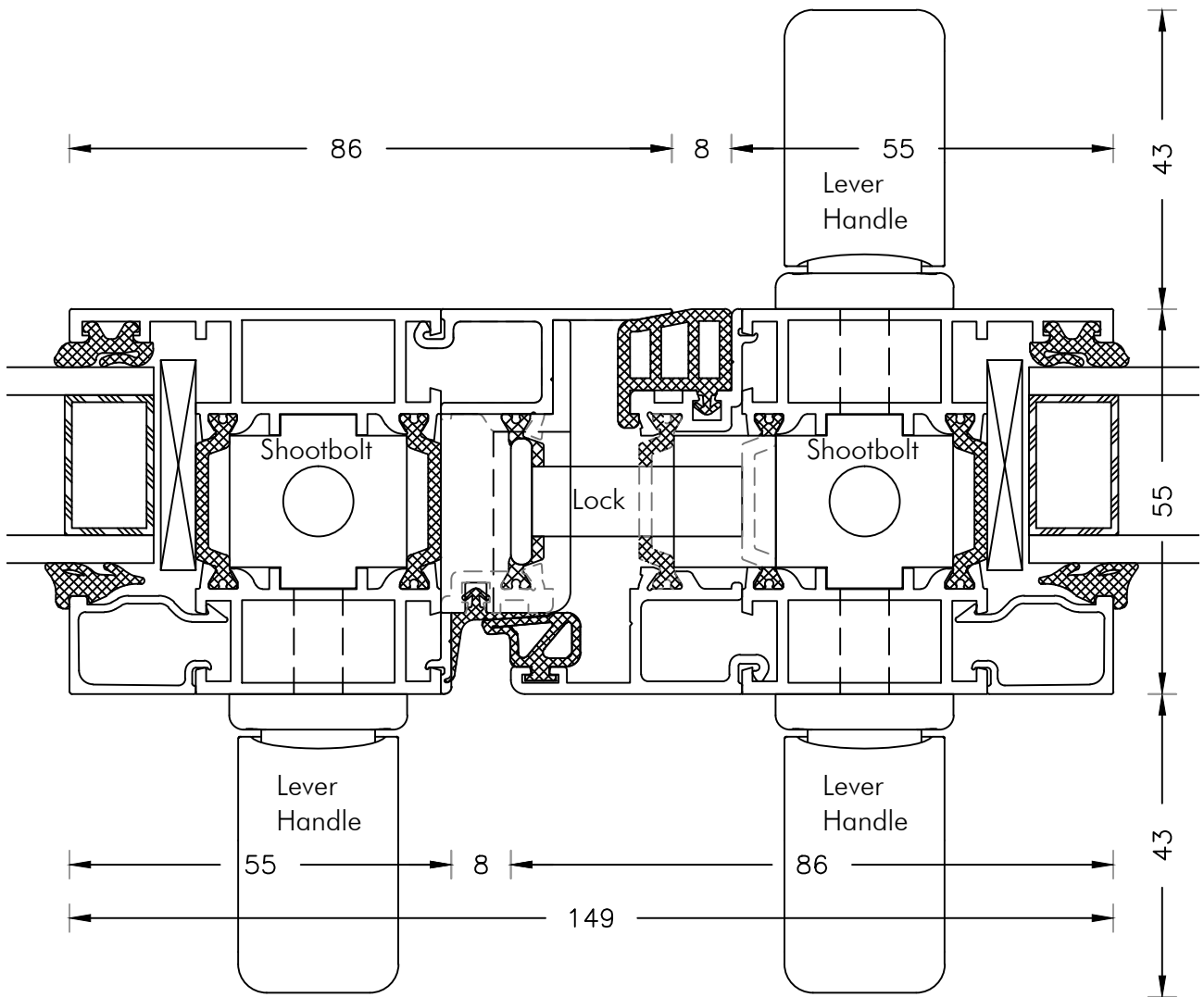
Detail No: **SF55-A-06B**

System: **SF55**

A



OUTSIDE



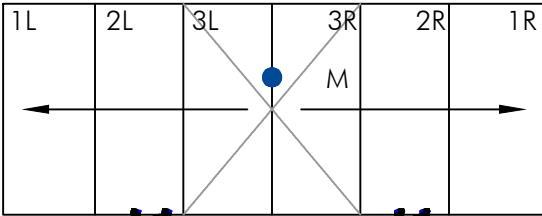
INSIDE

Description **Horizontal Section - Connection**
Panel 3L - Panel 3R / Open In
(M = 1st Opening Panel 3R)

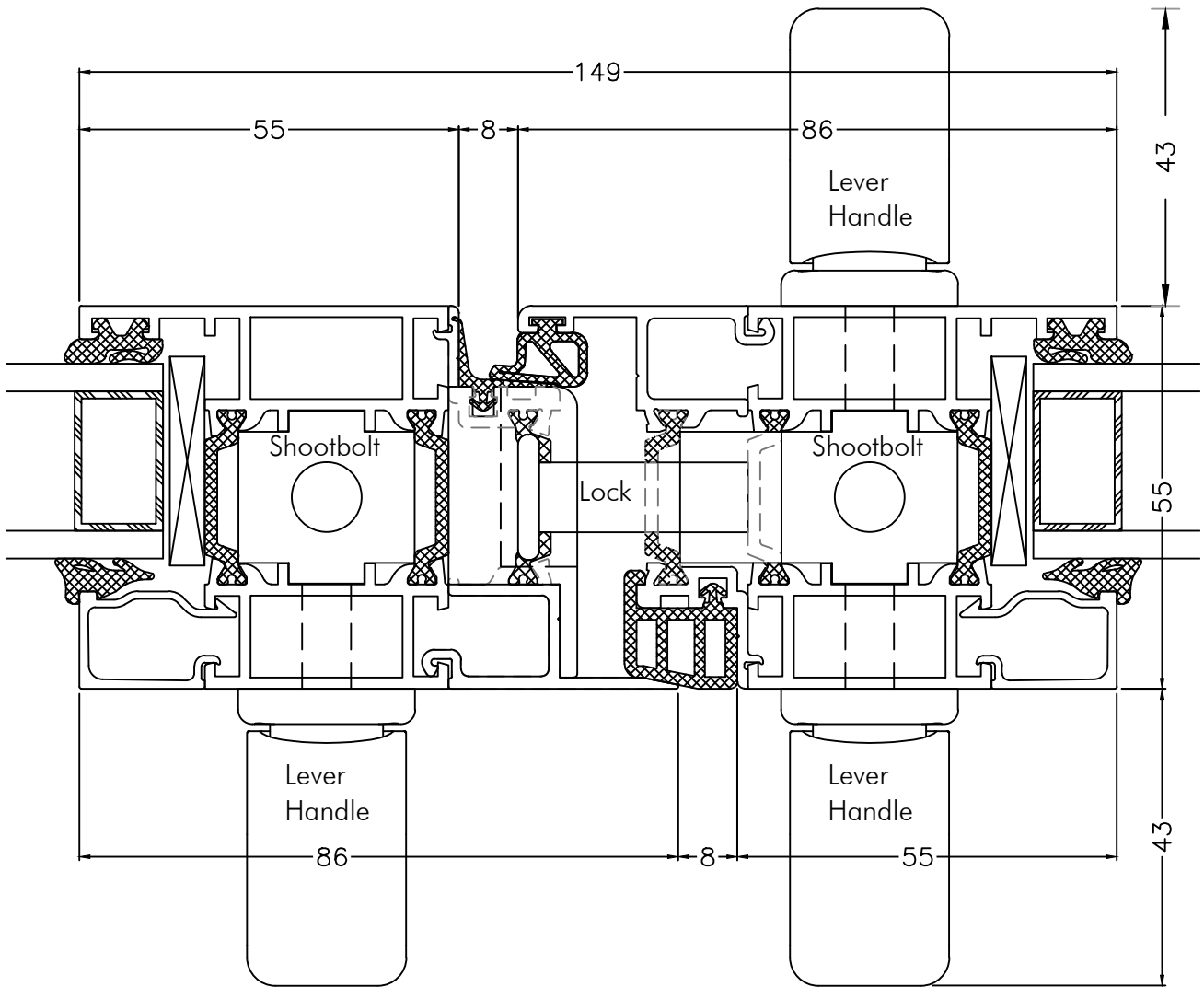
Detail No: **SF55-A-07A**

System: **SF55**

A



OUTSIDE



INSIDE

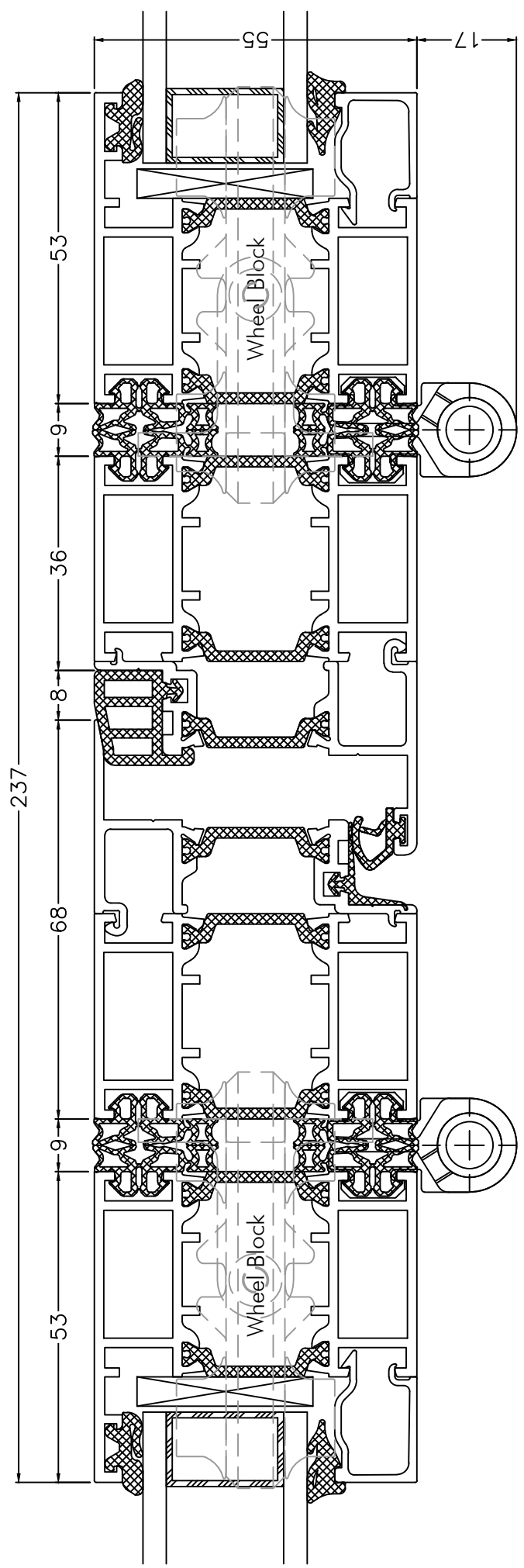
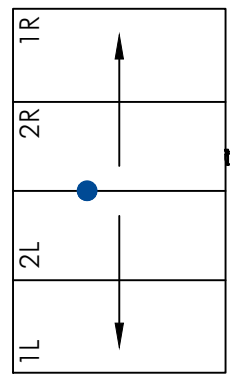
Description **Horizontal Section - Connection**
Panel 3L - Panel 3R / Open Out
(M = 1st Opening Panel 3R)

Detail No: **SF55-A-07B**

System: **SF55**

A

OUTSIDE



INSIDE

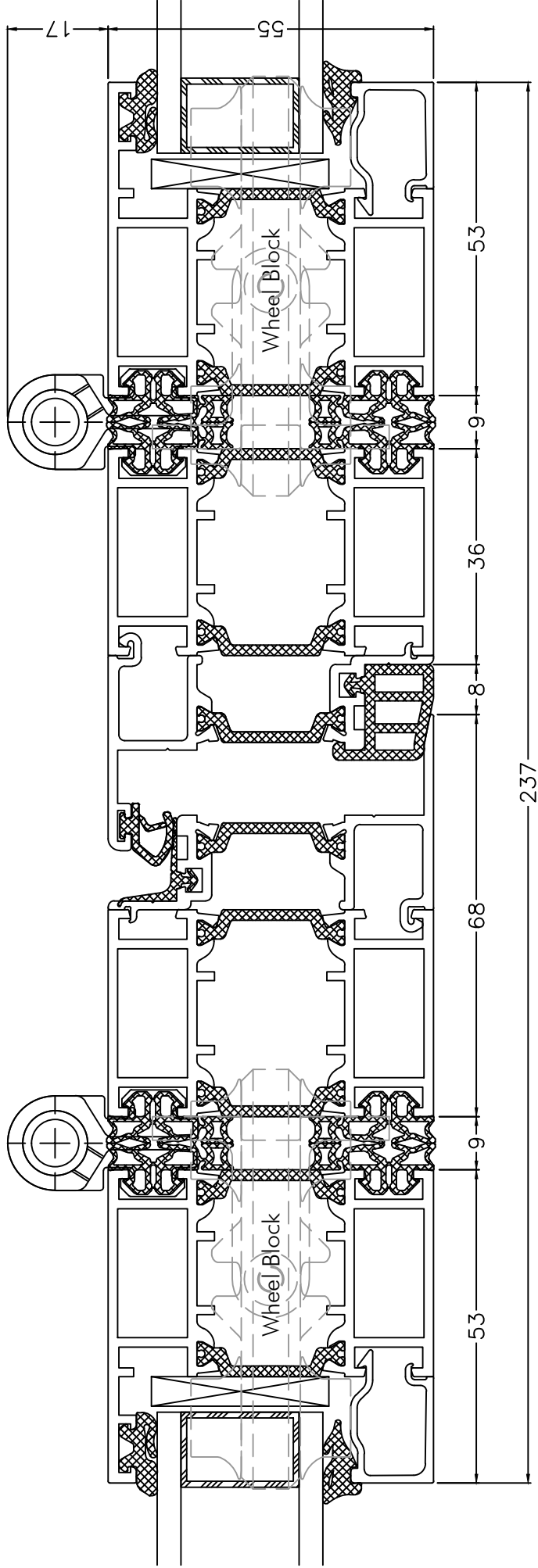
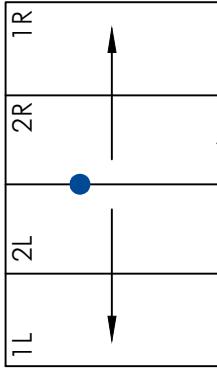
Description Horizontal Section - Connection
 Panel 2L - Sliding Post - Sliding Post - Panel 2R / Open In

Detail No: SF55-07C

System: SF55

A

OUTSIDE



INSIDE

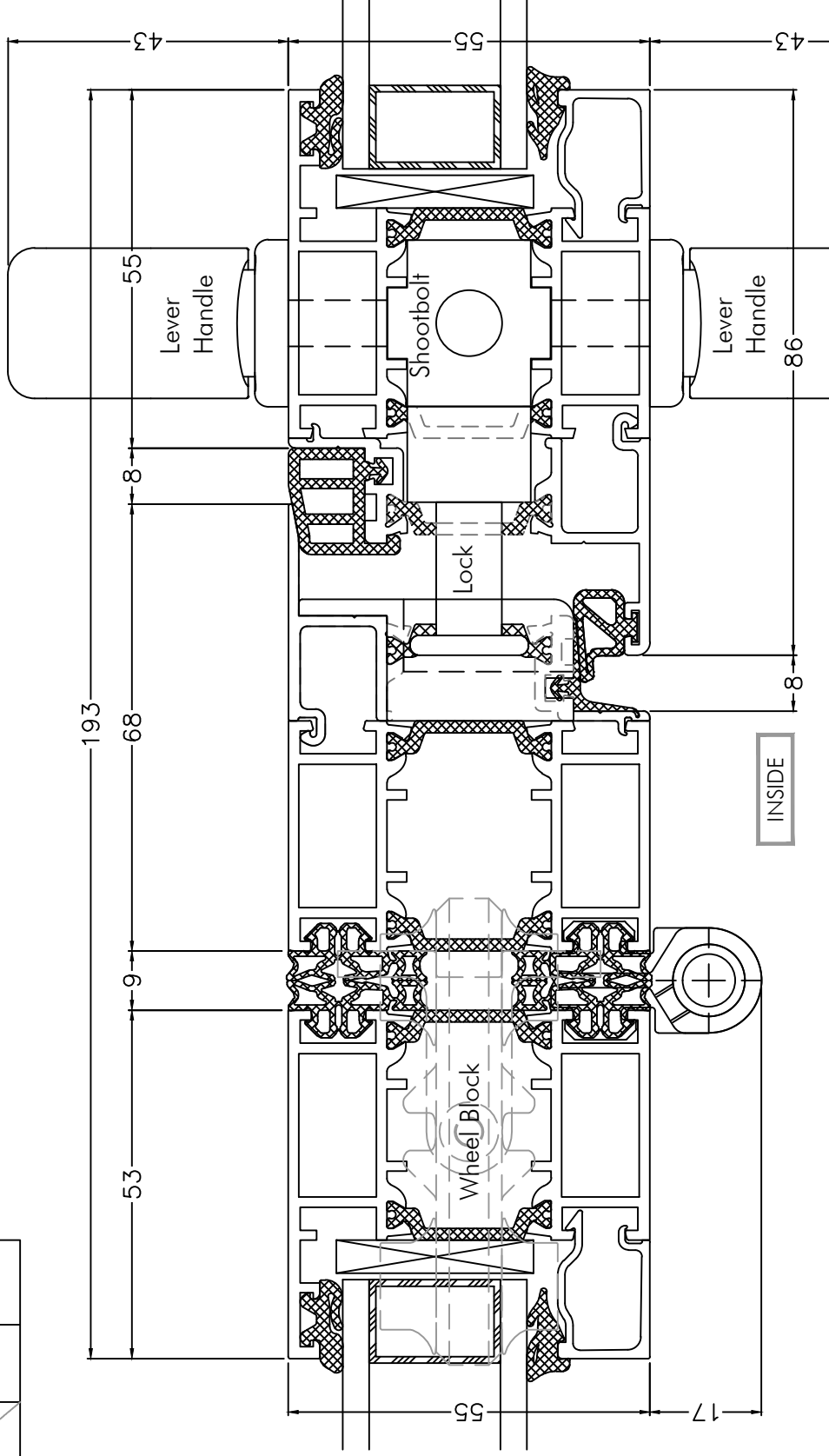
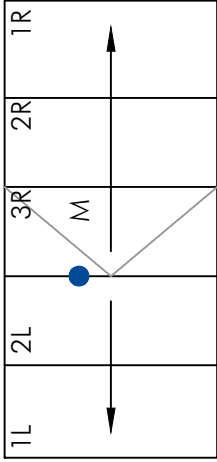
Description Horizontal Section - Connection
Panel 2L - Sliding Post - Sliding Post - Panel 2R / Open Out

Detail No: SF55-A-07D

System: SF55

A

OUTSIDE

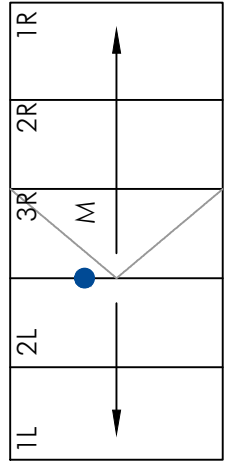
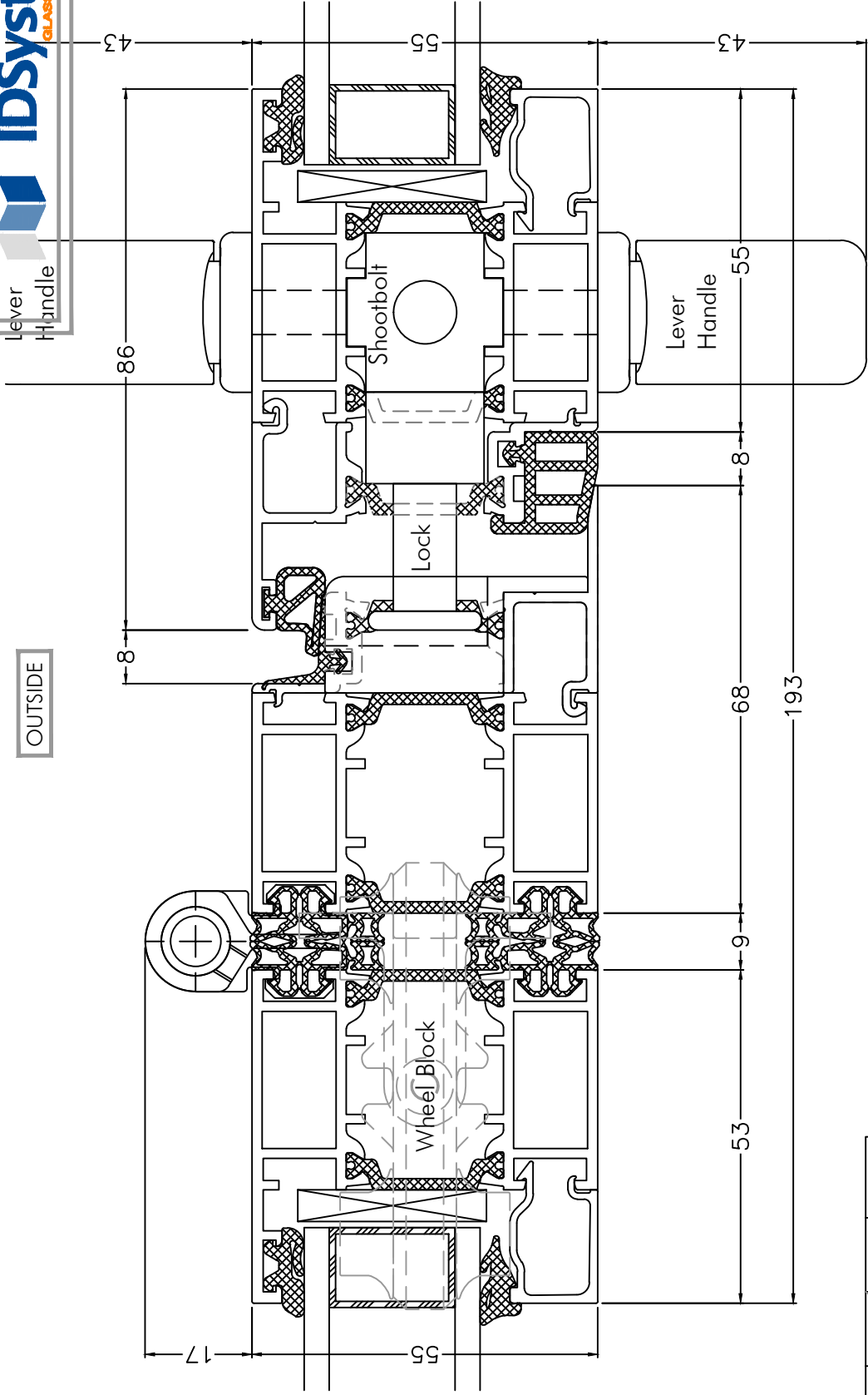


Description Horizontal Section - Connection
 Panel 2L - Sliding Post - Panel 3R / Open In
 (M = 1st Opening Panel 3R)

Detail No: SF55-A-07E

System: SF55

A



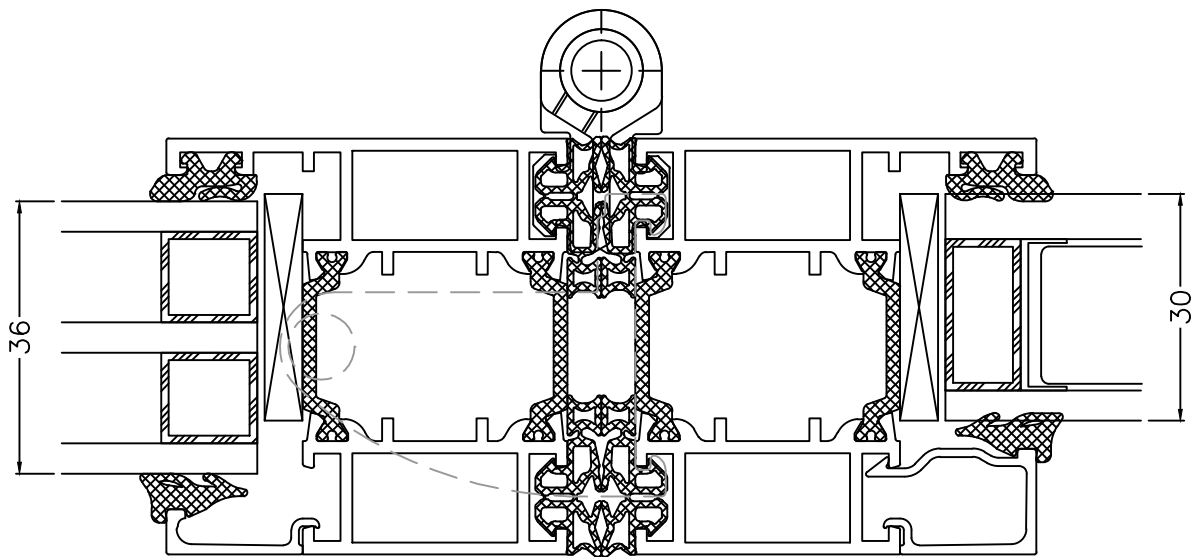
Description **Horizontal Section - Connection**
Panel 2L - Sliding Post - Panel 3R / Open Out
 (M = 1st Opening Panel 3R)

Detail No: **SF55-A-07F**

System: **SF55**

A

OUTSIDE



Triple Glazing To Consist Of 36mm (4x12x4x12x4) Units Only

30mm Unit When 6mm Outer Pane and Blinds Are Required Together

INSIDE

Description **Alternative Glass Thickness/Glazing Bead Options**

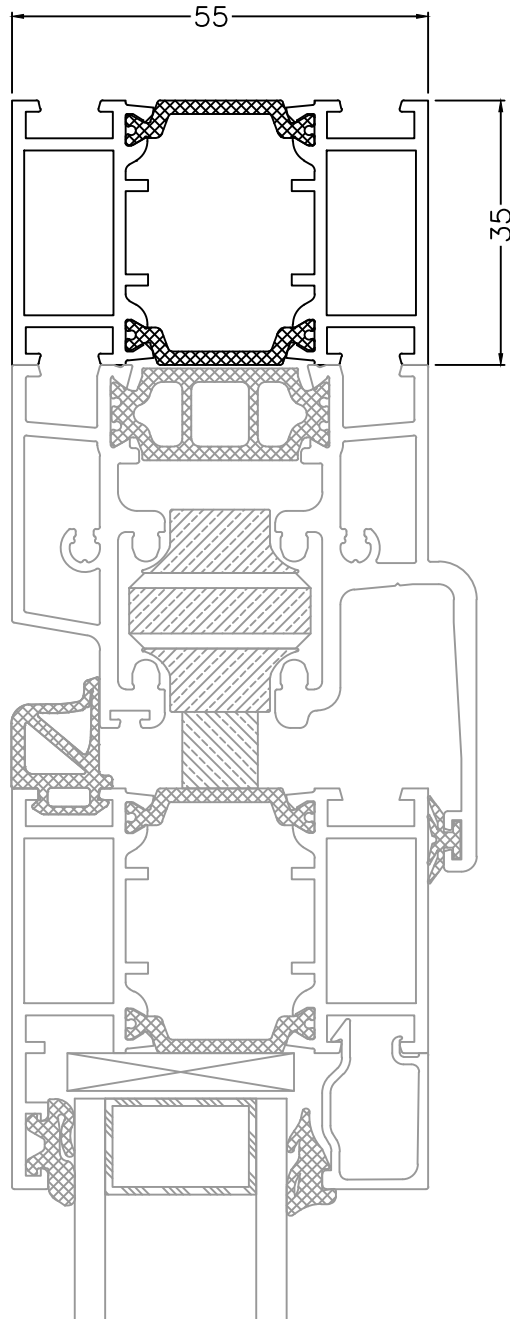
Detail No: **SF55-A-07G**

System: **SF55**

A

SF55 Folding Door

ADDITIONAL PROFILES



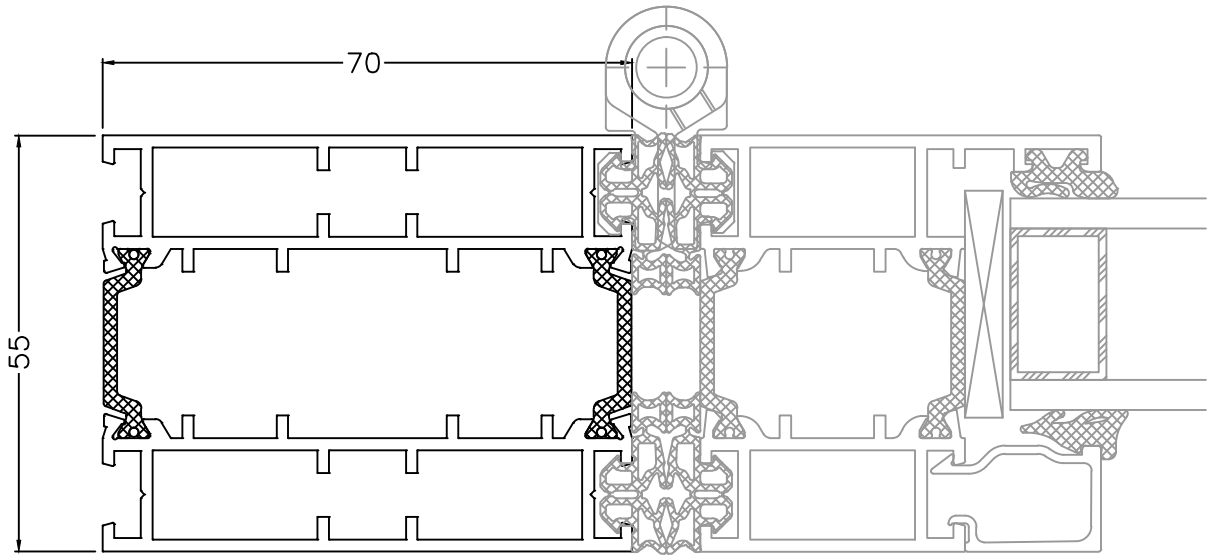
35mm Add-on

Description **Horizontal Section**
Additional Profiles

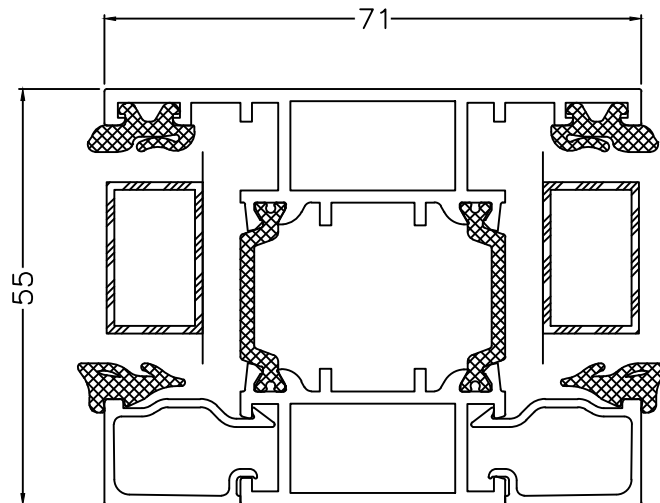
Detail No: **SF55-B-01**

System: **SF55**

A



70mm Jamb



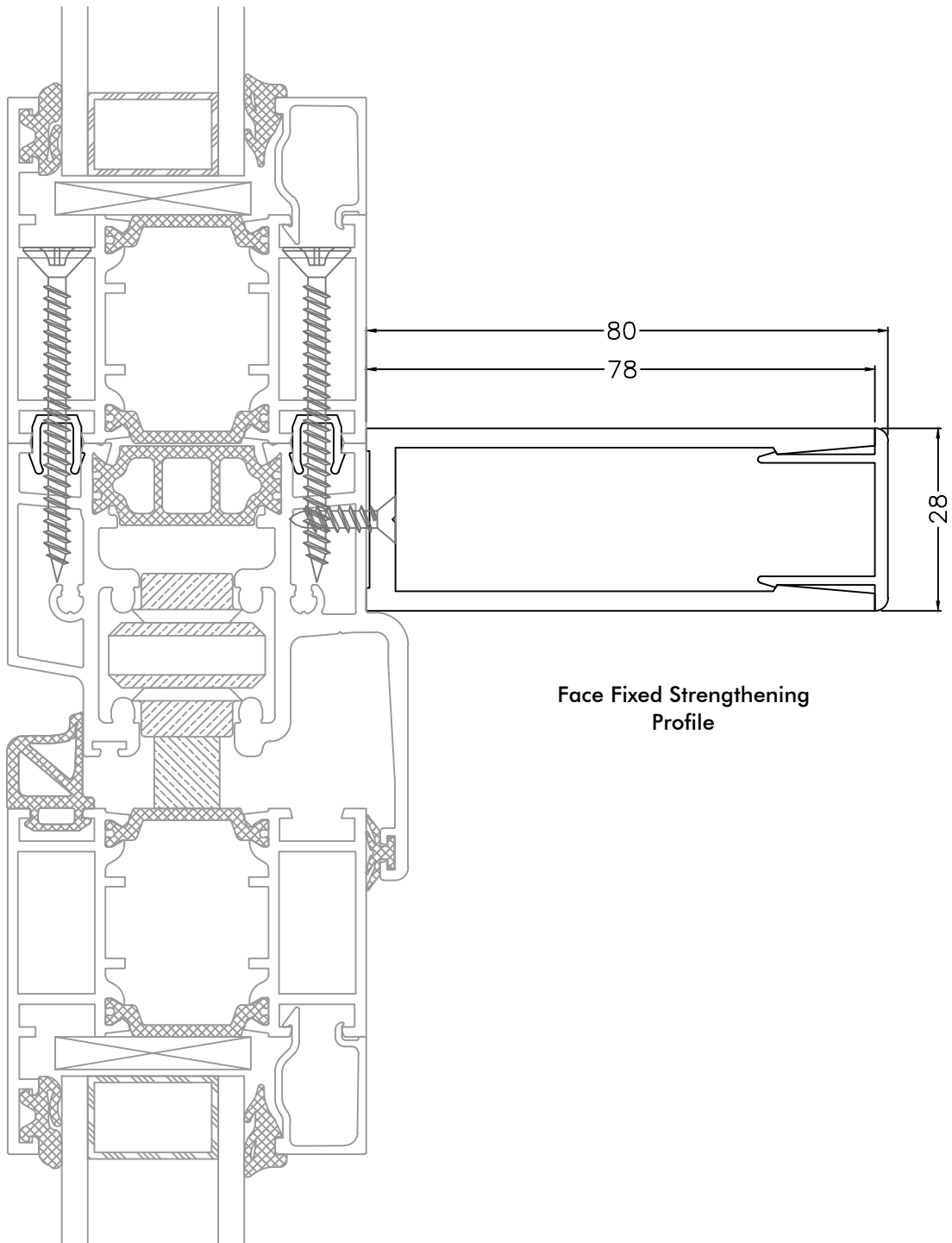
Transom / Mullion

Description **Horizontal Section**
Additional Profiles

Detail No: **SF55-B-02**

System: **SF55**

A



NB:-

Required to be used on Door sets with Overlights In Unexposed Locations when System Width Exceeds 2.5, upto a Maximum of 4 M *

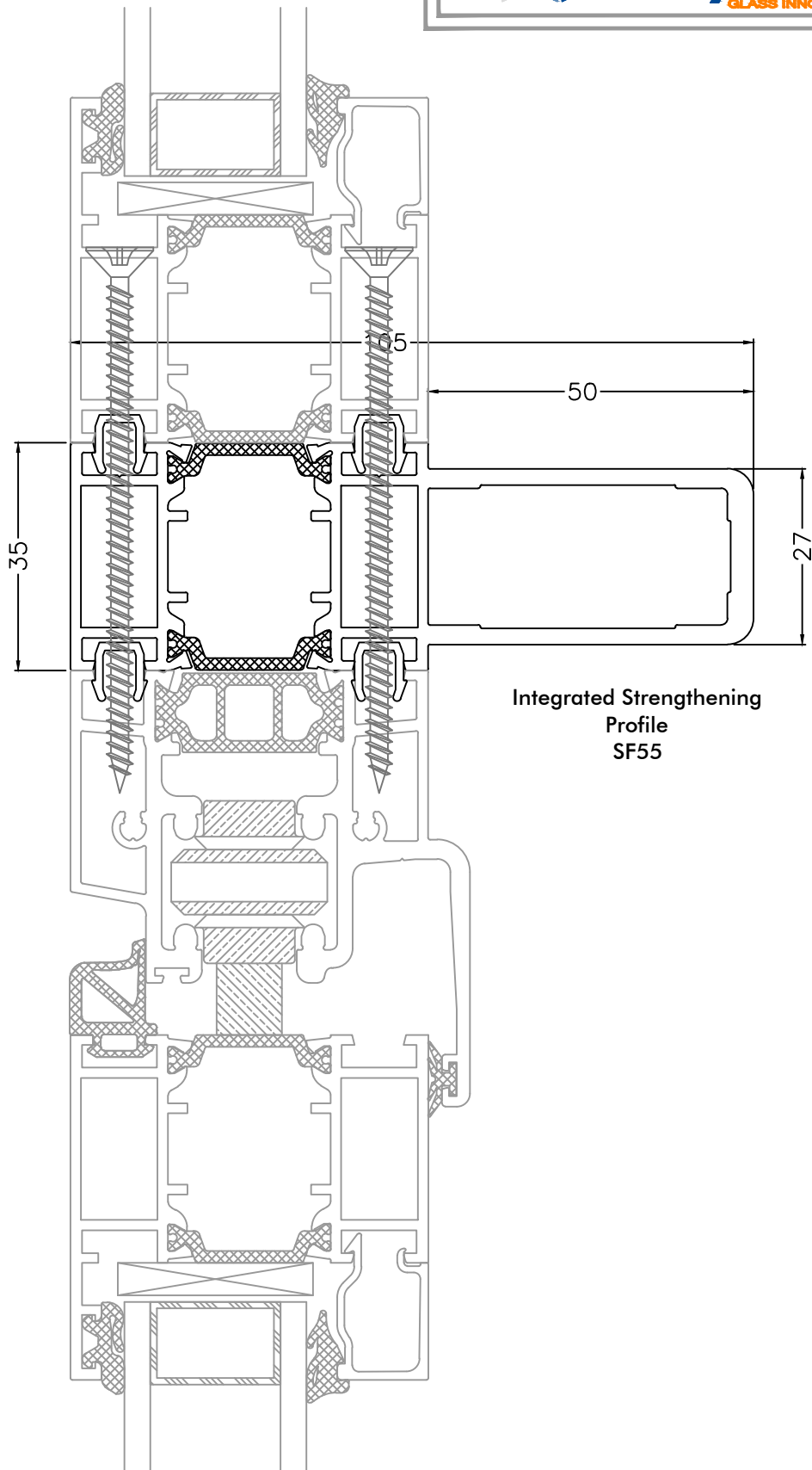
* This dimension may vary according to the depth of the Overlights

Description **Vertical Section**
Overlight - Top Track with Additional Face Fixed Strengthening Profile

Detail No: **SF55-B-03**

System: **SF55**

A



Integrated Strengthening Profile
SF55

NB:-

Required to be used on Door sets with Overlights when System Width Exceeds 3 M * in Exposed Locations or when System Width Exceeds 4 M * in Unexposed Locations

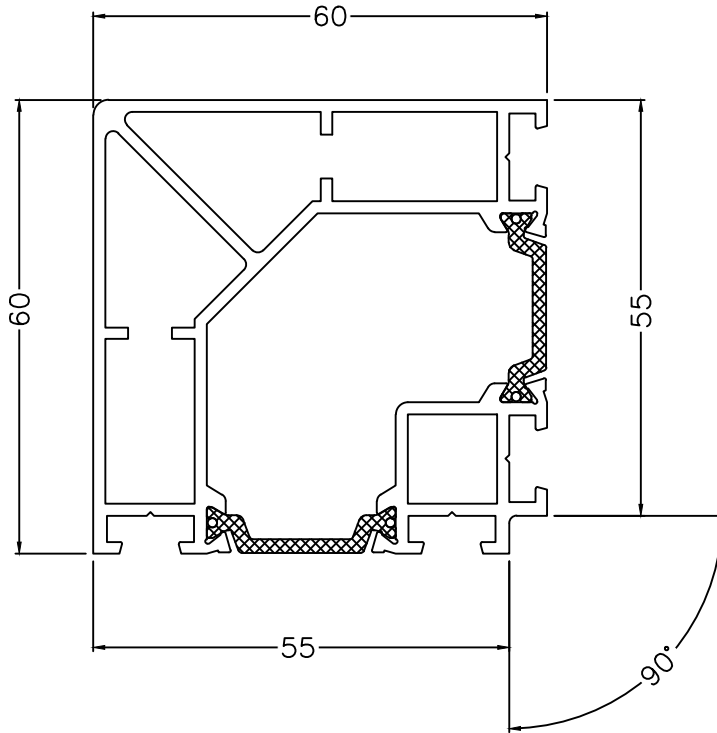
* This dimension may vary according to the depth of the Overlights

Description **Vertical Section**
Overlight - Strengthening Profile - Top Track

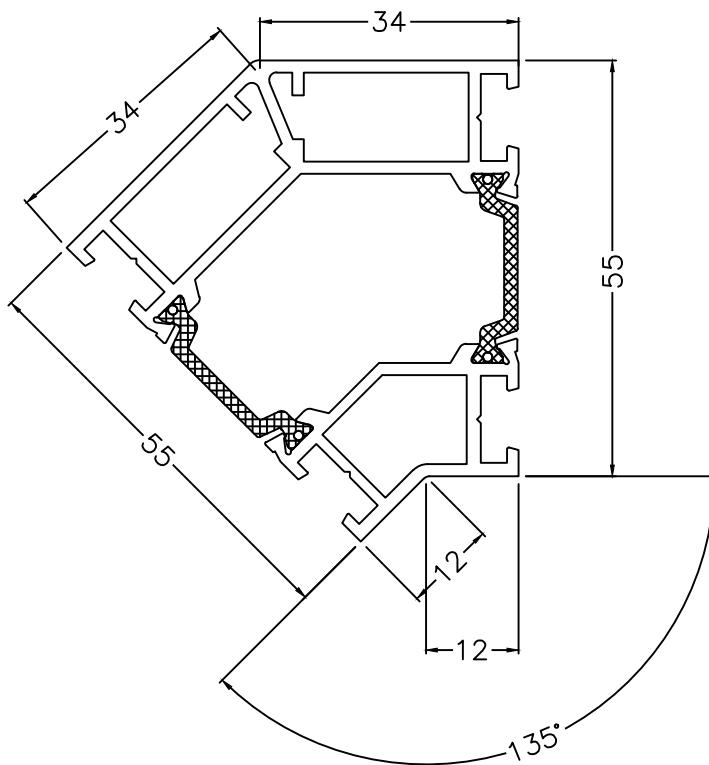
Detail No: **SF55-B-04**

System: **SF55**

A



90° Post



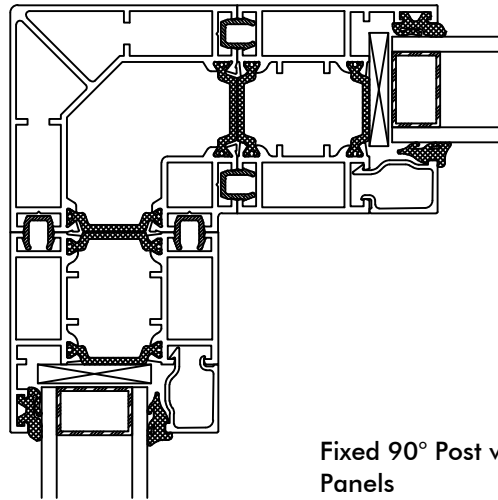
135° Post

Description **Horizontal Section**
Vertical Post Options

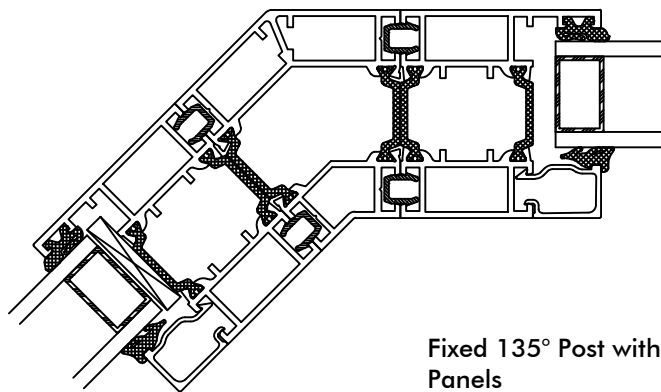
Detail No: **SF55-B-05**

System: **SF55**

A



Fixed 90° Post with Fixed Panels



Fixed 135° Post with Fixed Panels

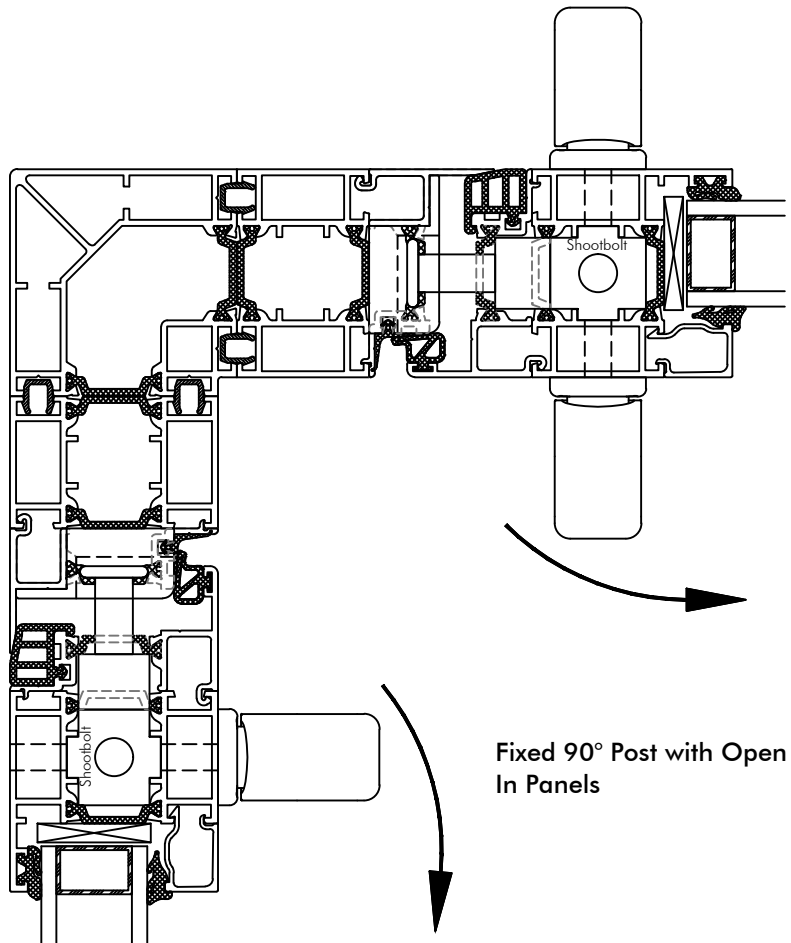
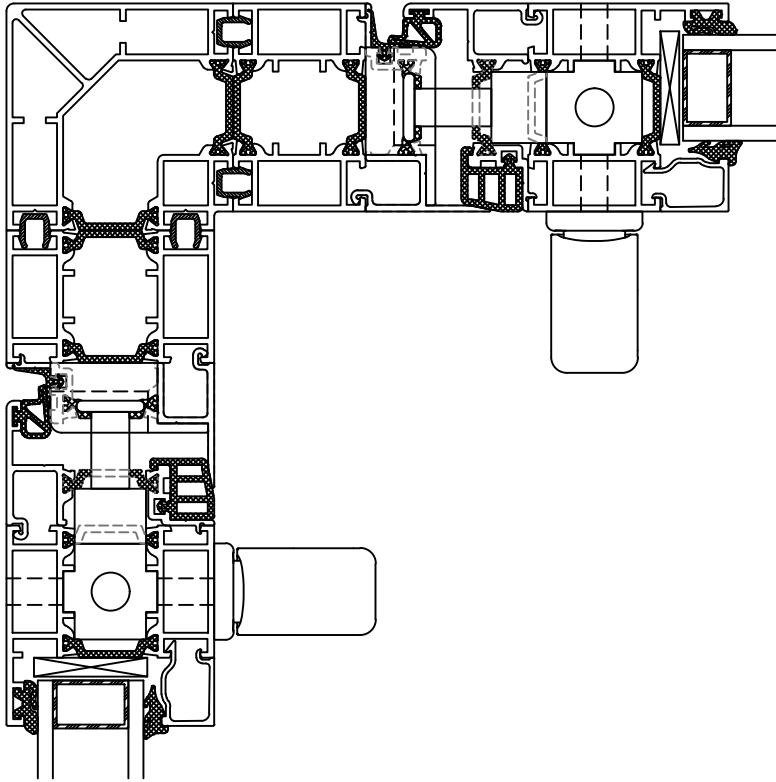
Description **Horizontal Section**
Typical Fixed Post Examples

Detail No: **SF55-B-06**

System: **SF55**

A

Fixed 90° Post with Open Out Panels



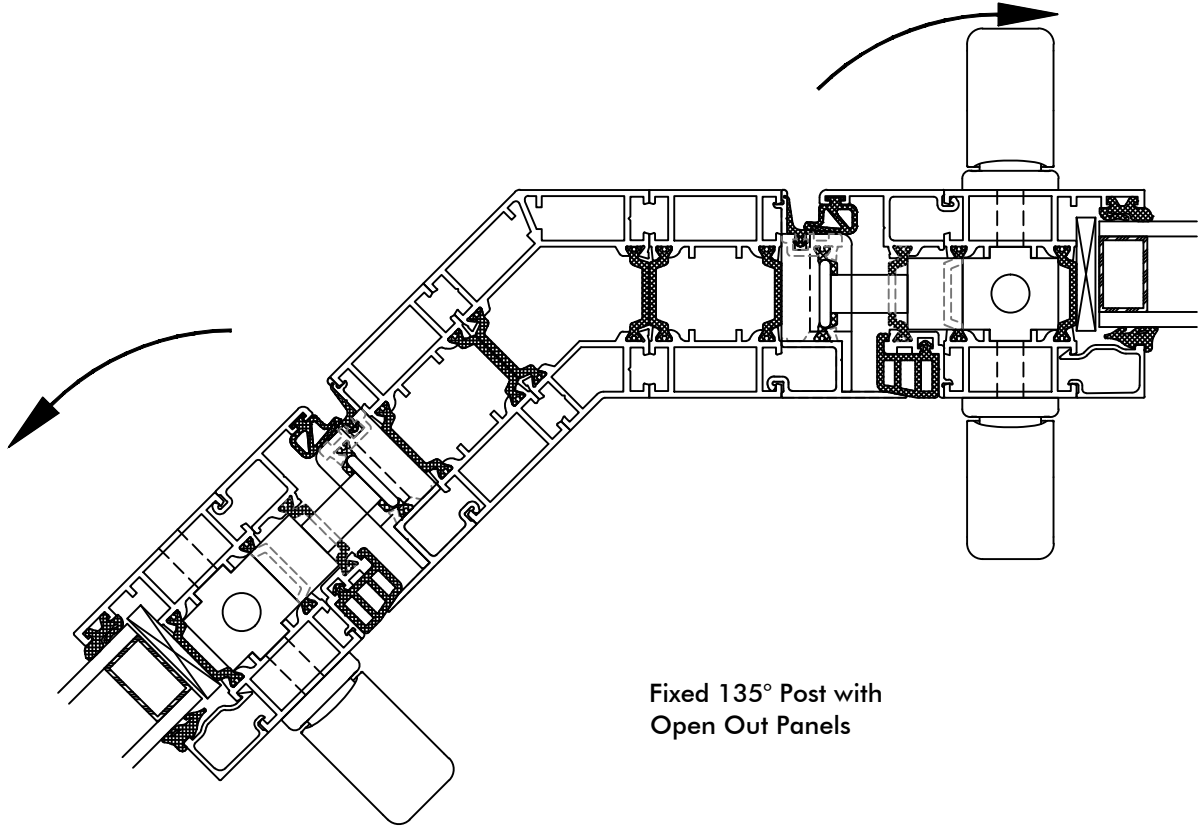
Fixed 90° Post with Open In Panels

Description **Horizontal Section**
Typical Fixed 90° Post Examples

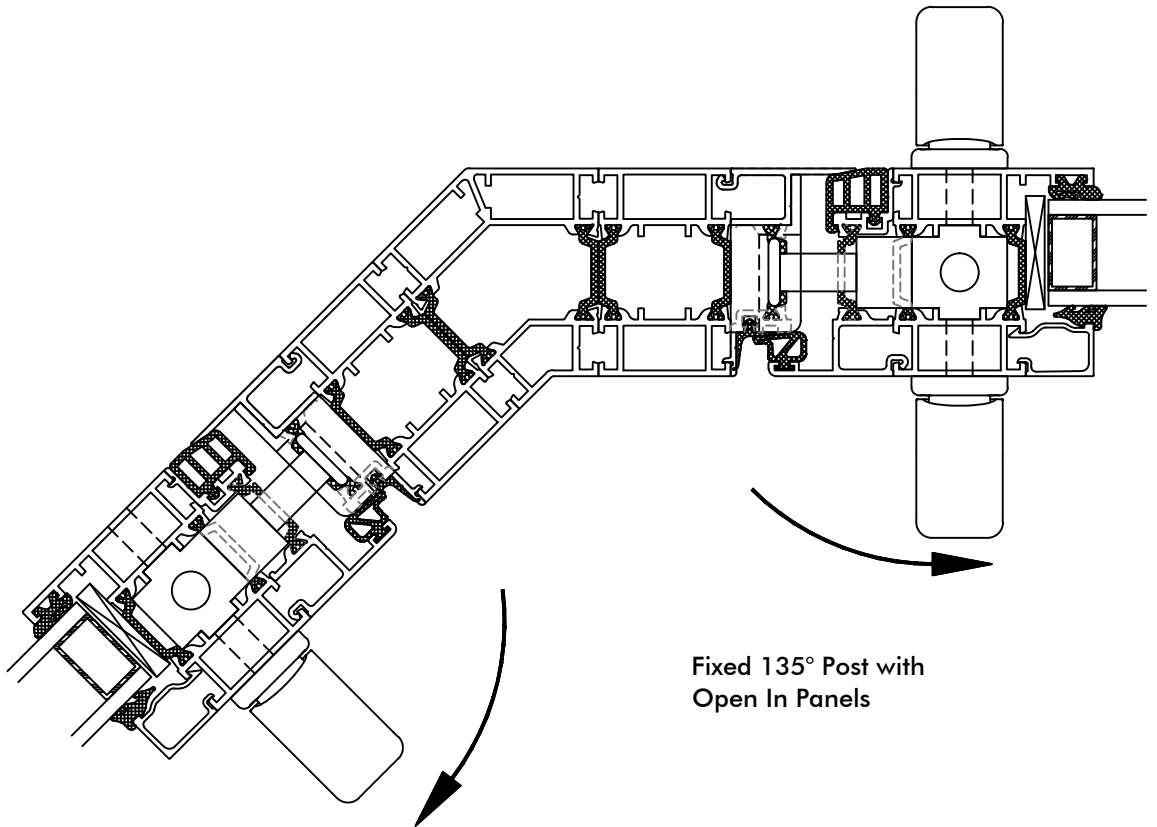
Detail No: **SF55-B-07**

System: **SF55**

A



Fixed 135° Post with
Open Out Panels



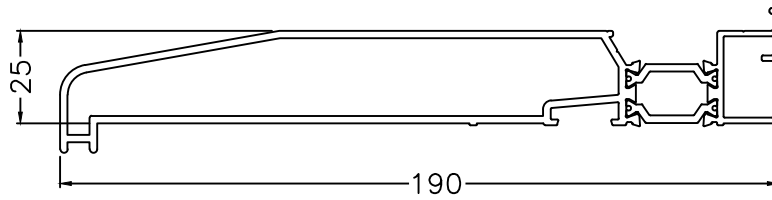
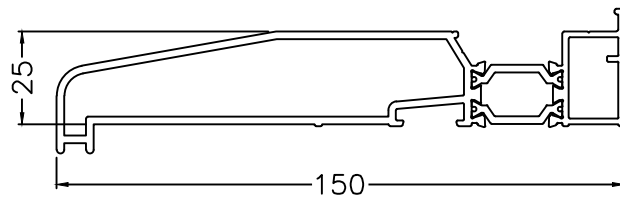
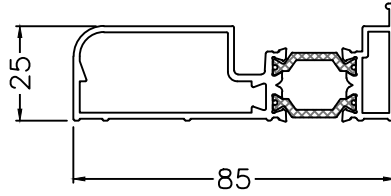
Fixed 135° Post with
Open In Panels

Description **Horizontal Section**
Typical Fixed 135° Post Examples

Detail No: **SF55-B-08**

System: **SF55**

A



Description **Thermally Broken Aluminium Sills - Size Options**

Detail No: **SF55-B-09**

System: **SF55**

A

SF55 Folding Door

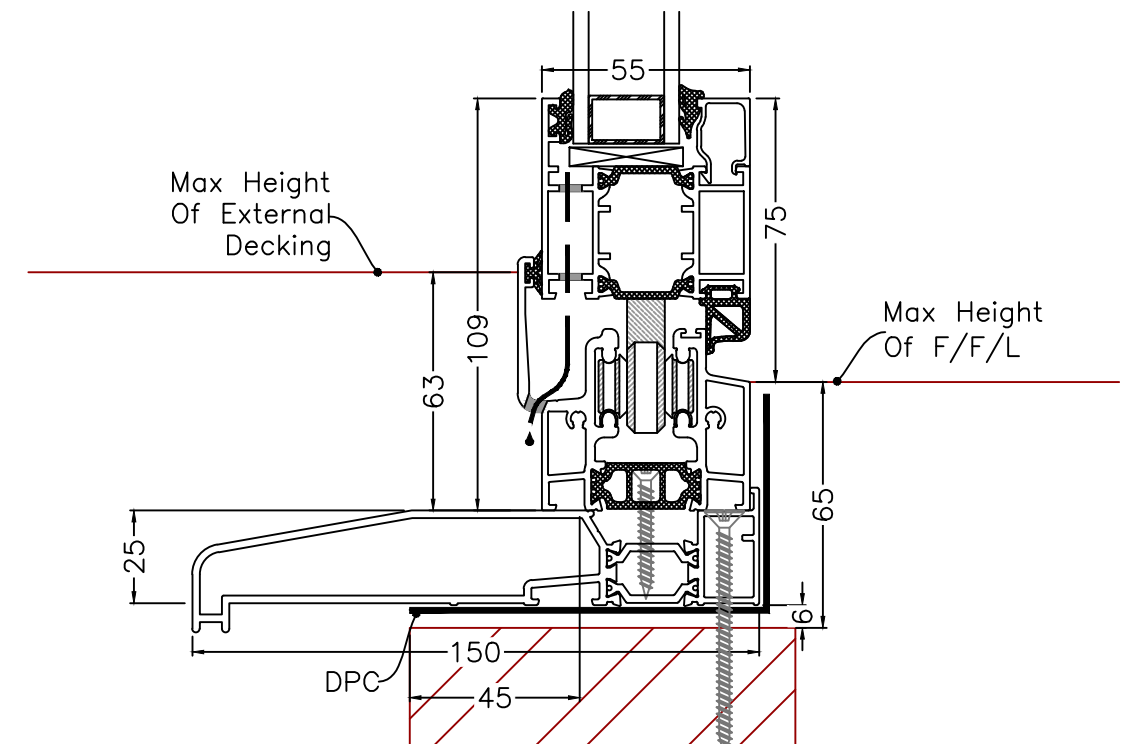
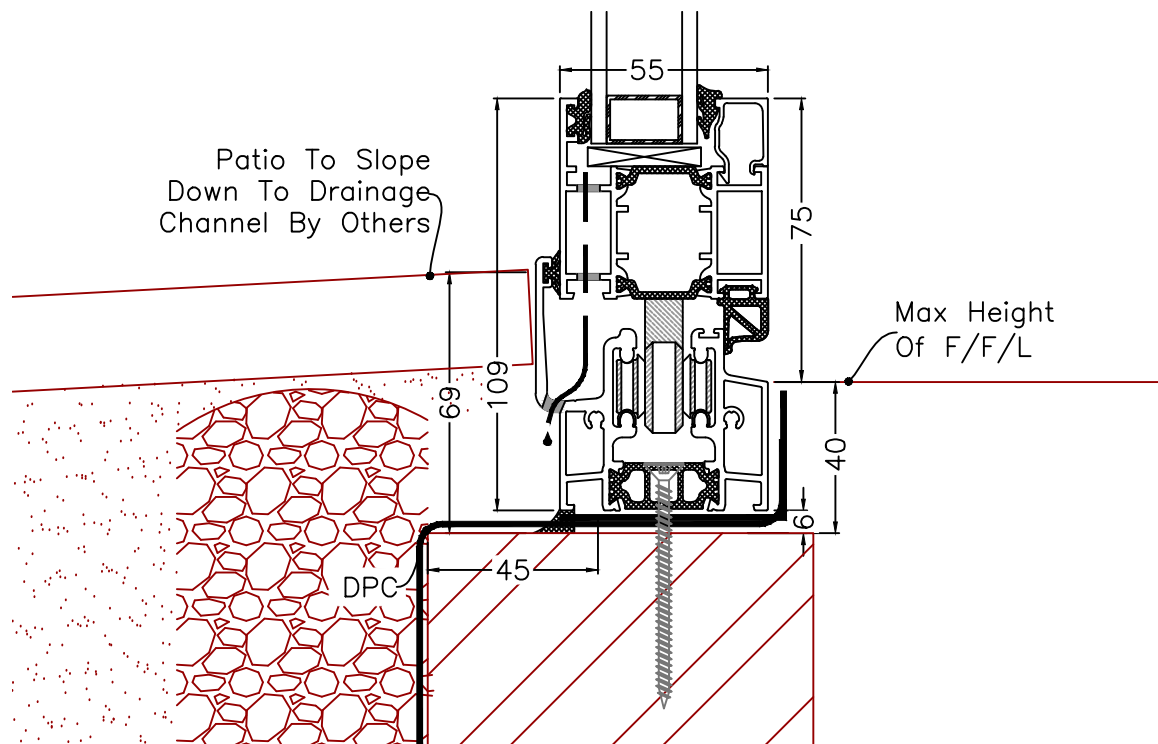
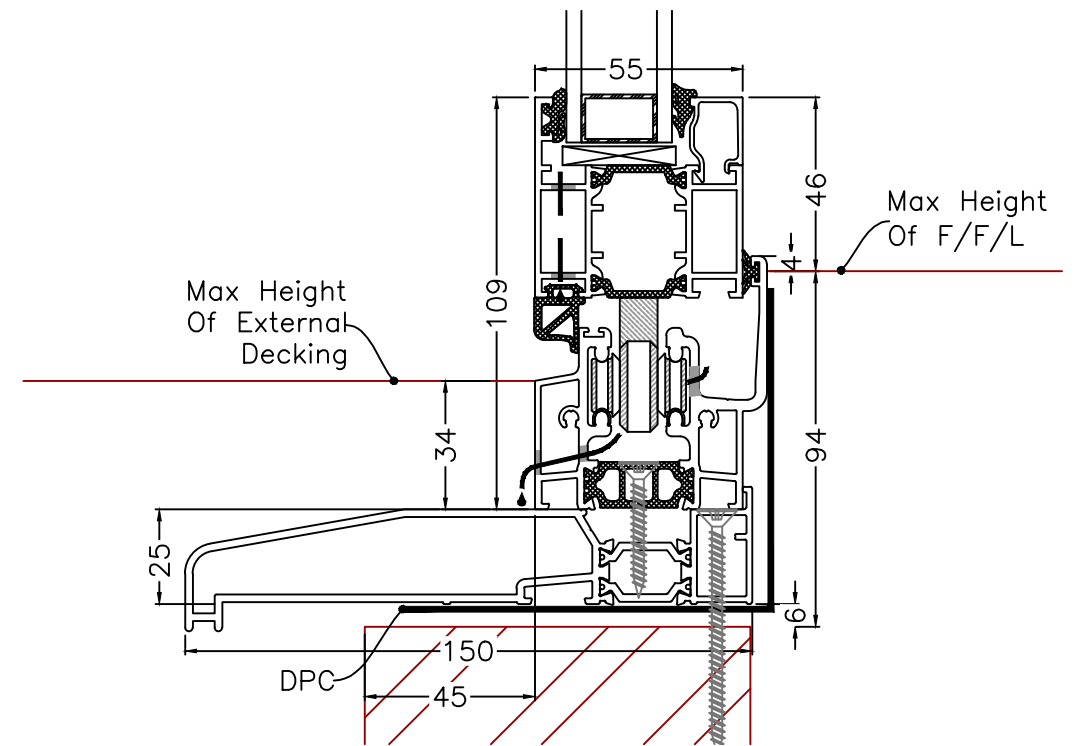
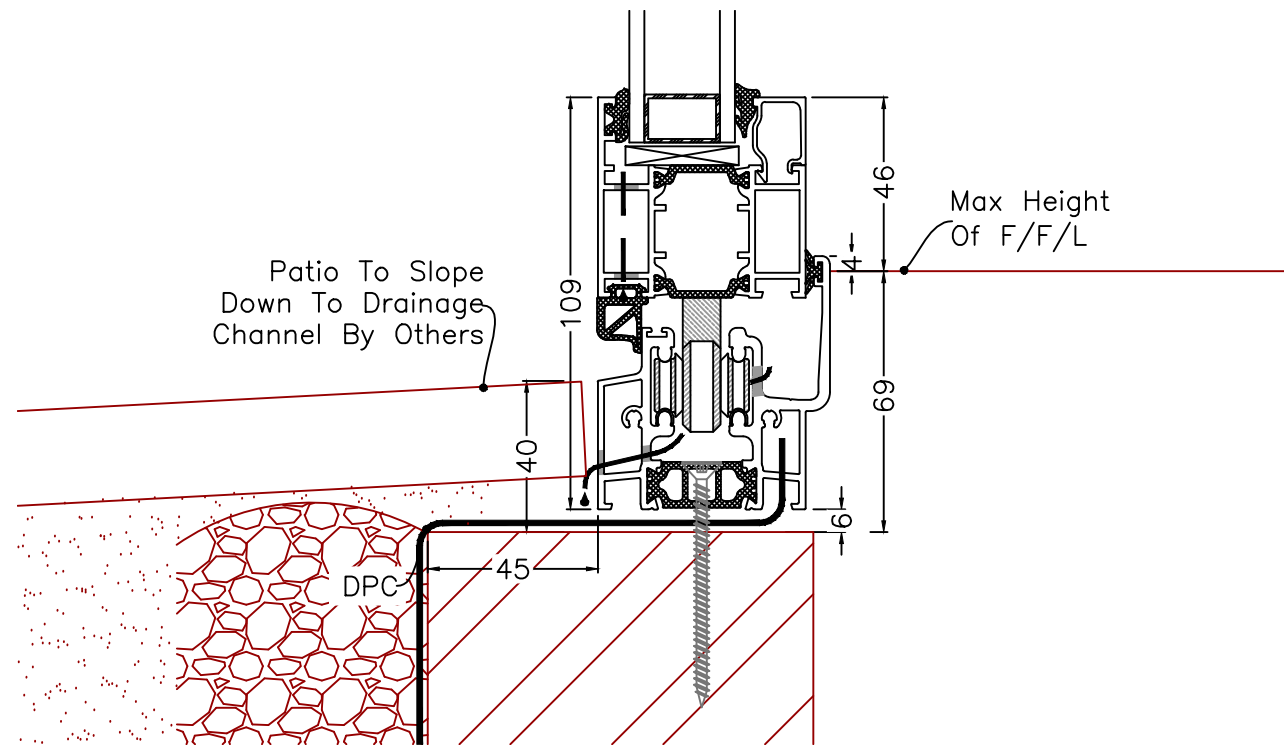
TYPICAL DETAILS

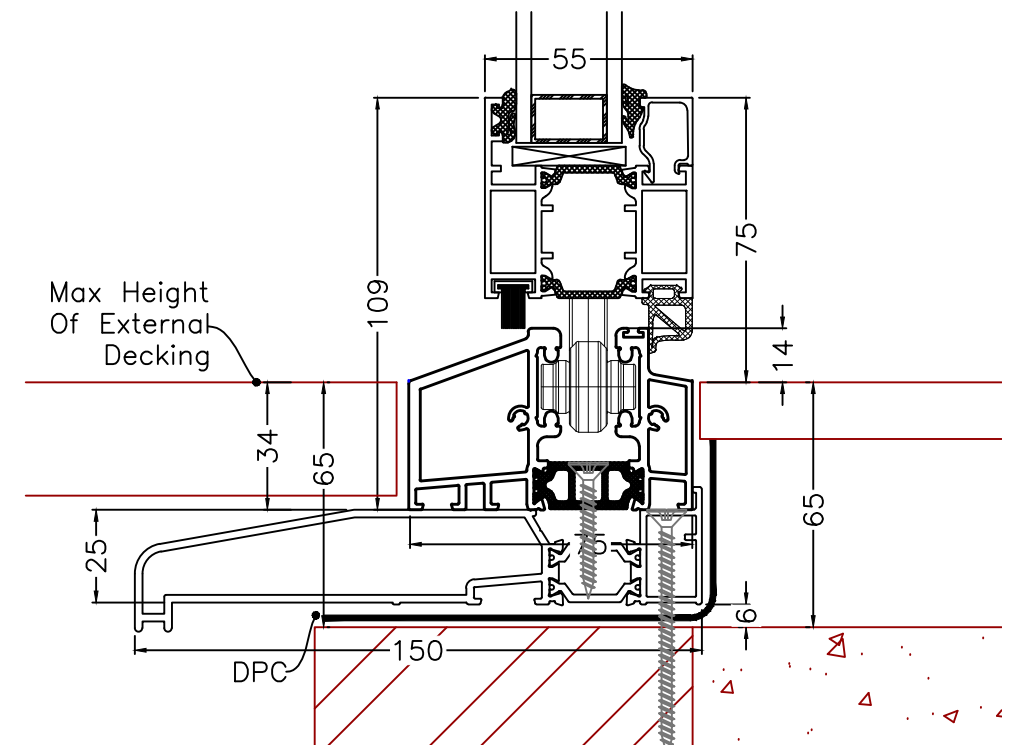
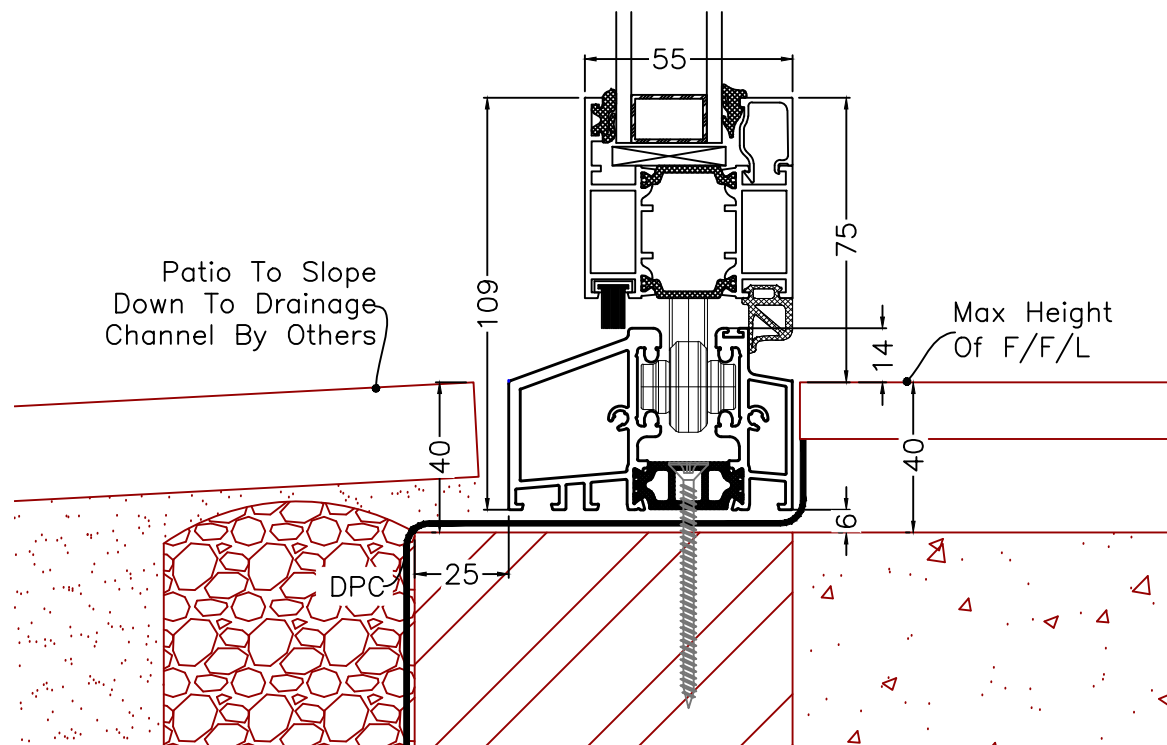
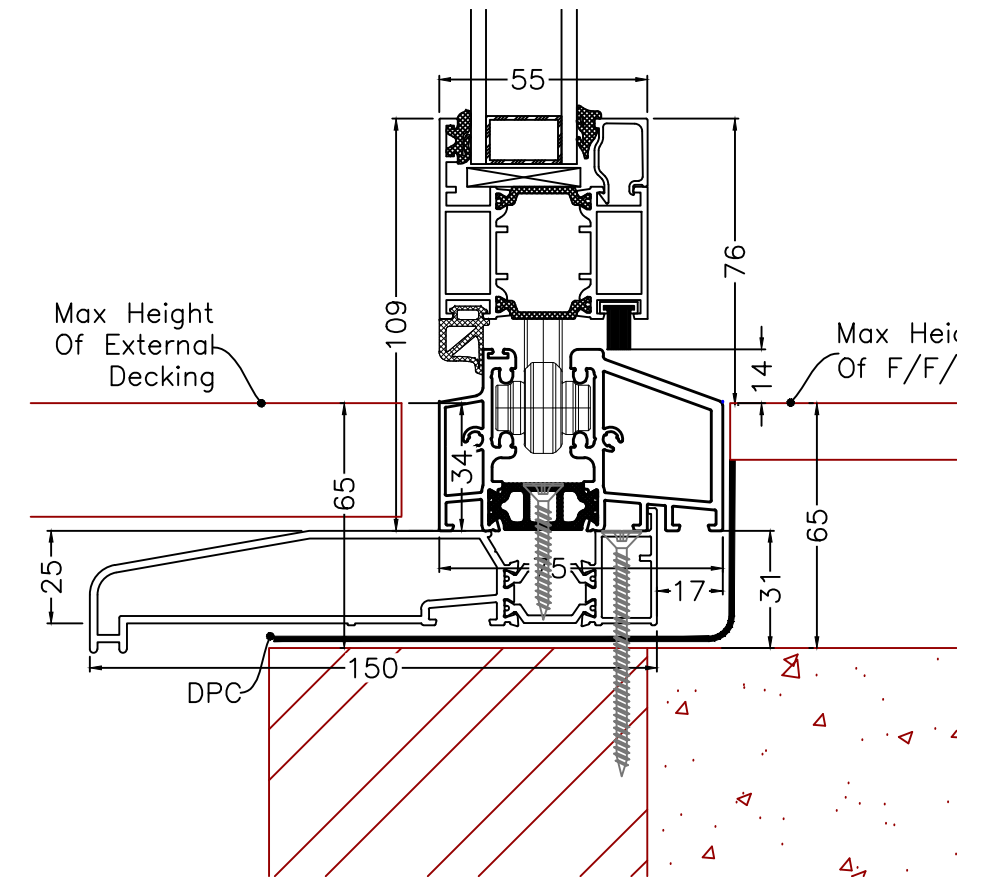
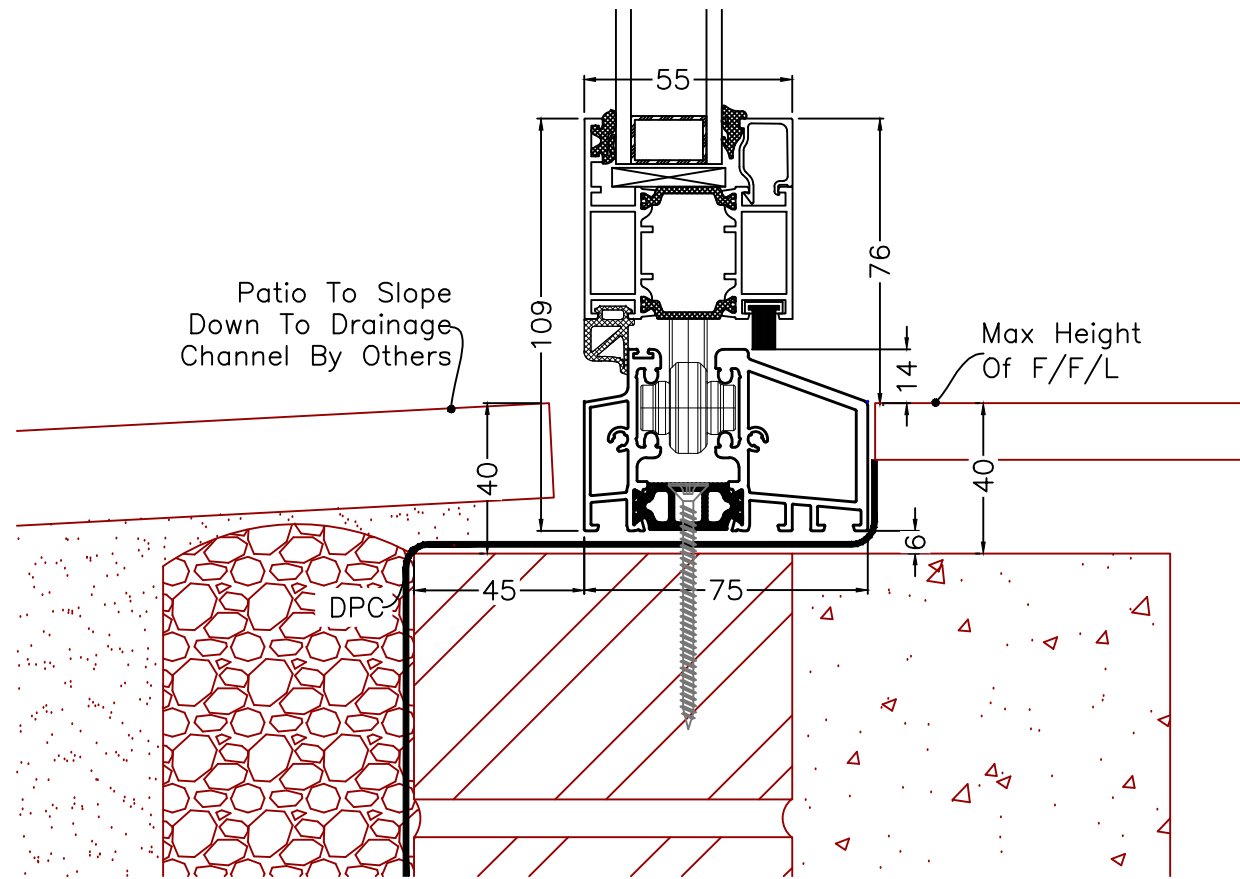
Description **Typical Details**

Detail No: **Section C**

System: **SF55**

A



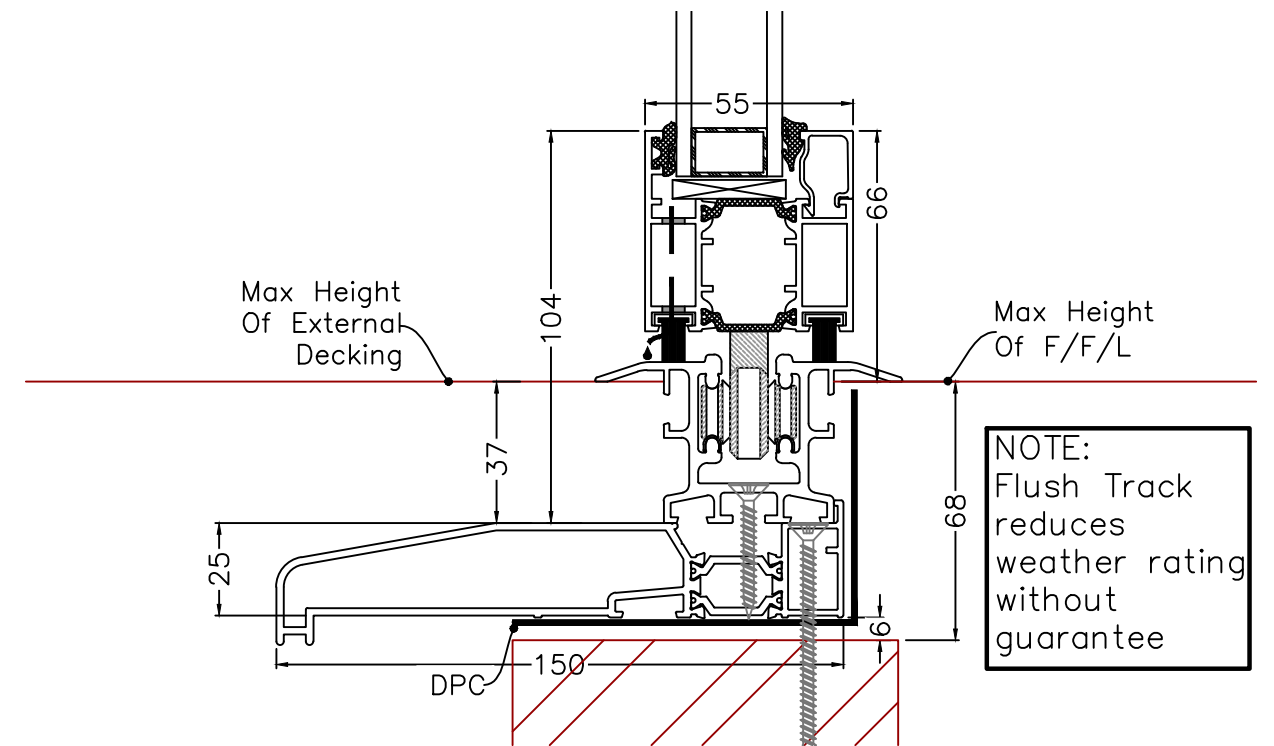
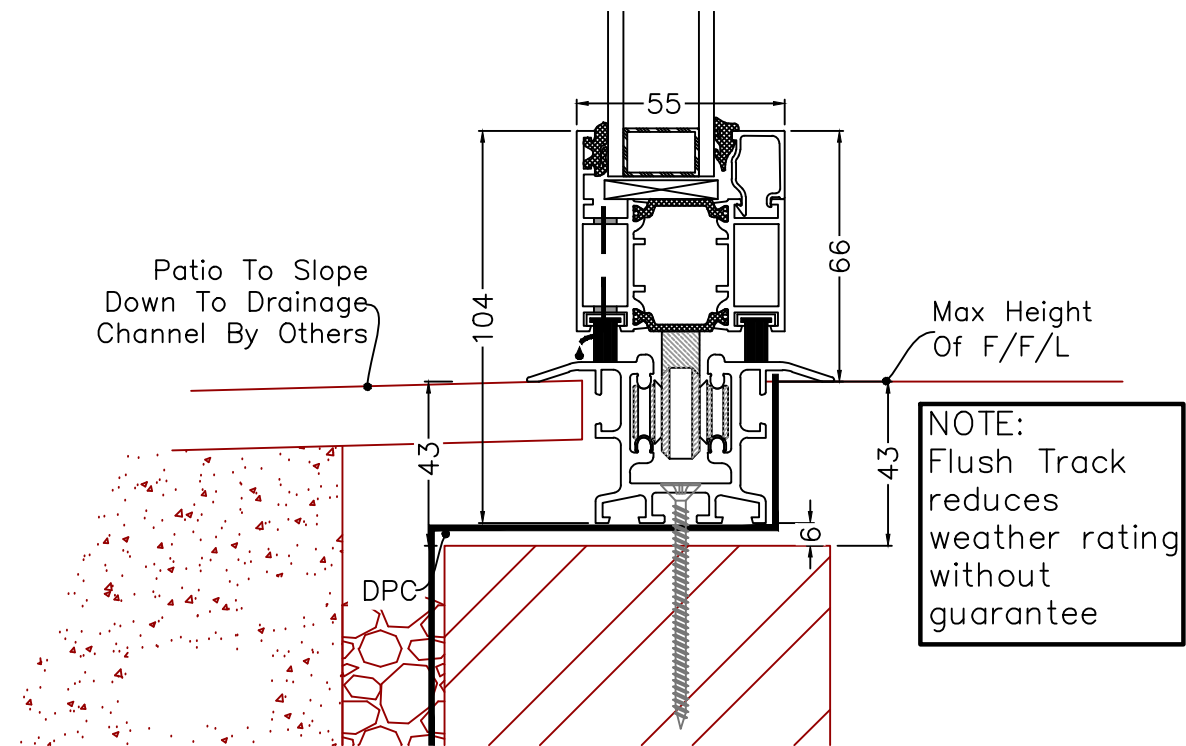
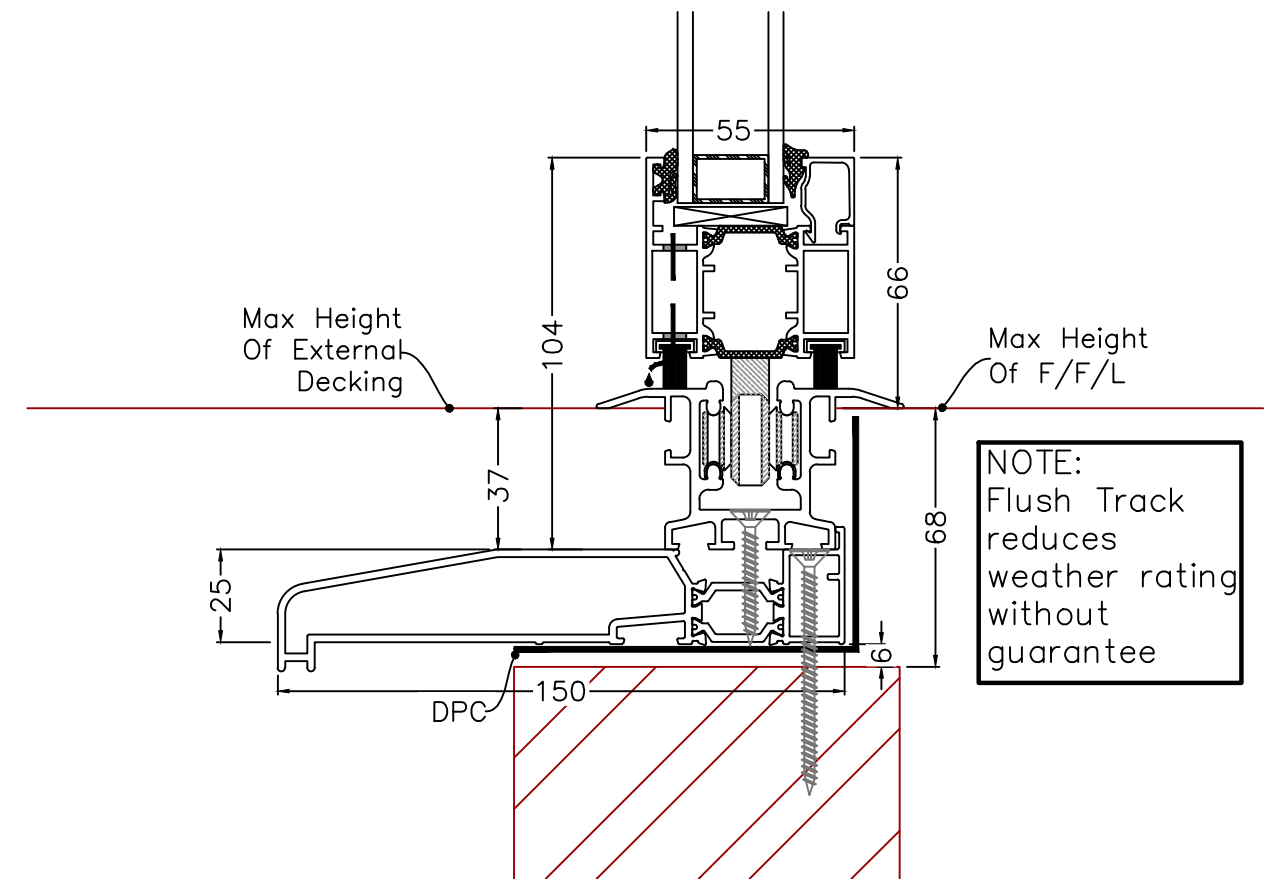
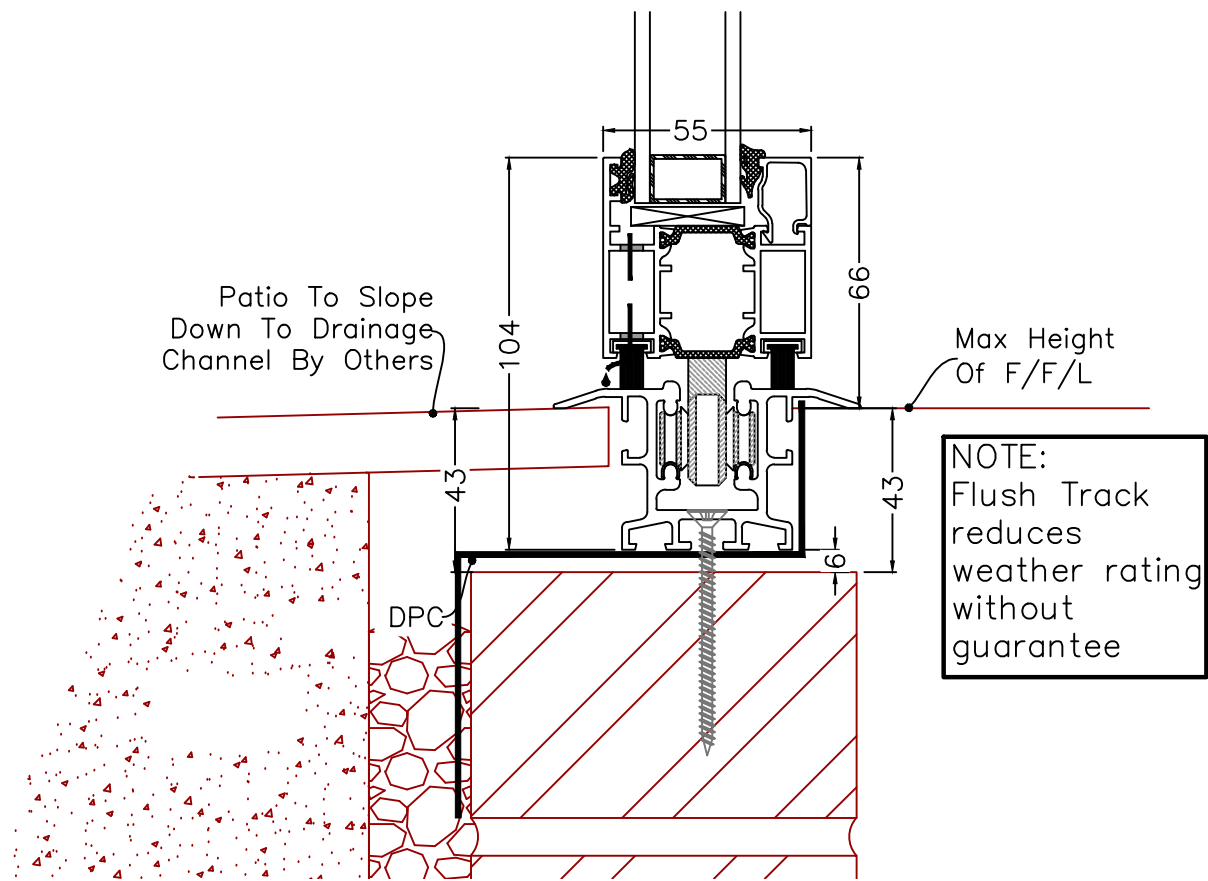


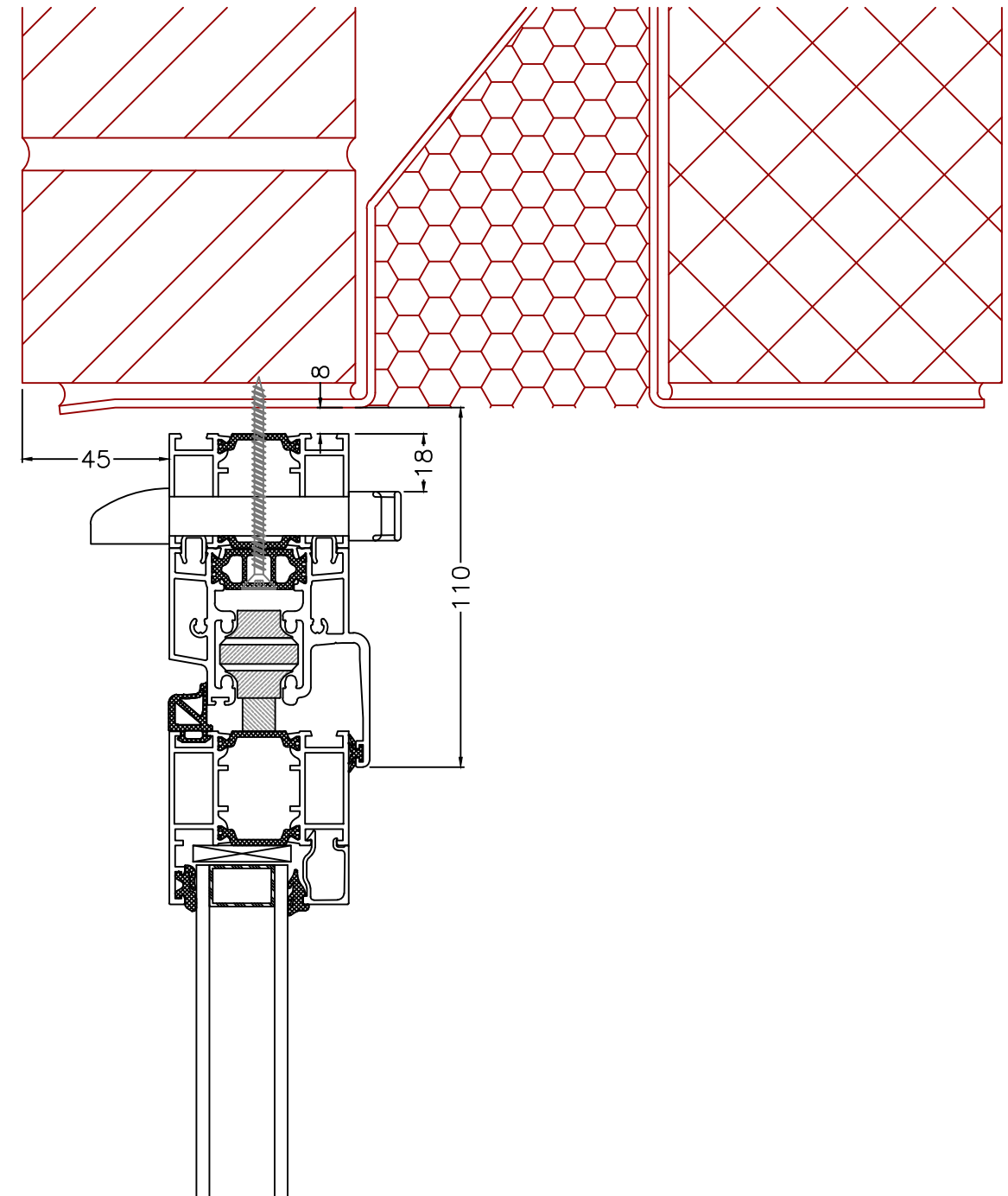
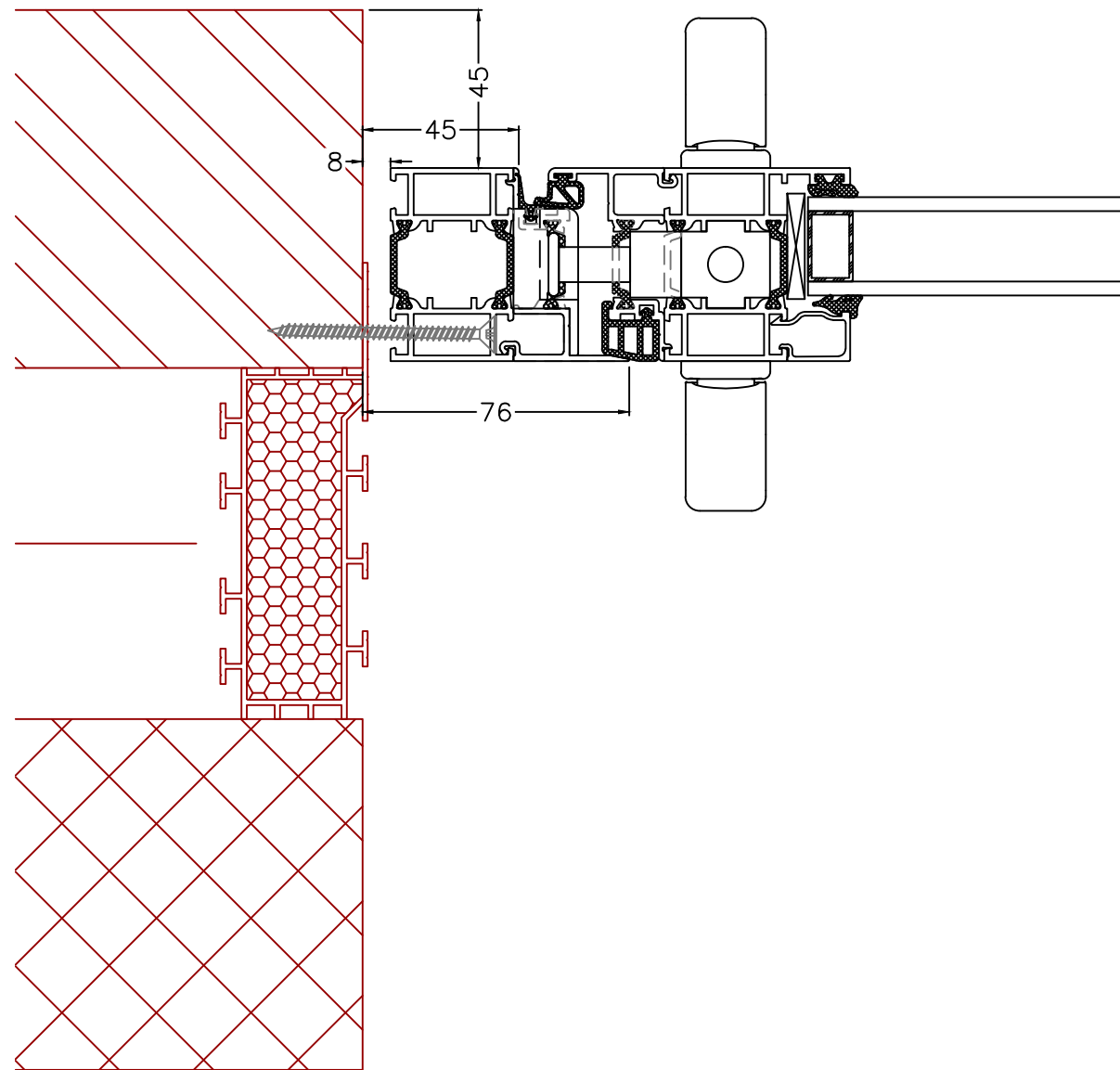
Description **Typical Threshold Details - Low Level Threshold**

Detail No: **SF55-C-02**

System: **SF55**

A





Description **Typical Fixing Details - Jamb & Head Track**

Detail No: **SF55-C-04**

System: **SF55**

A

SF55 Folding Door

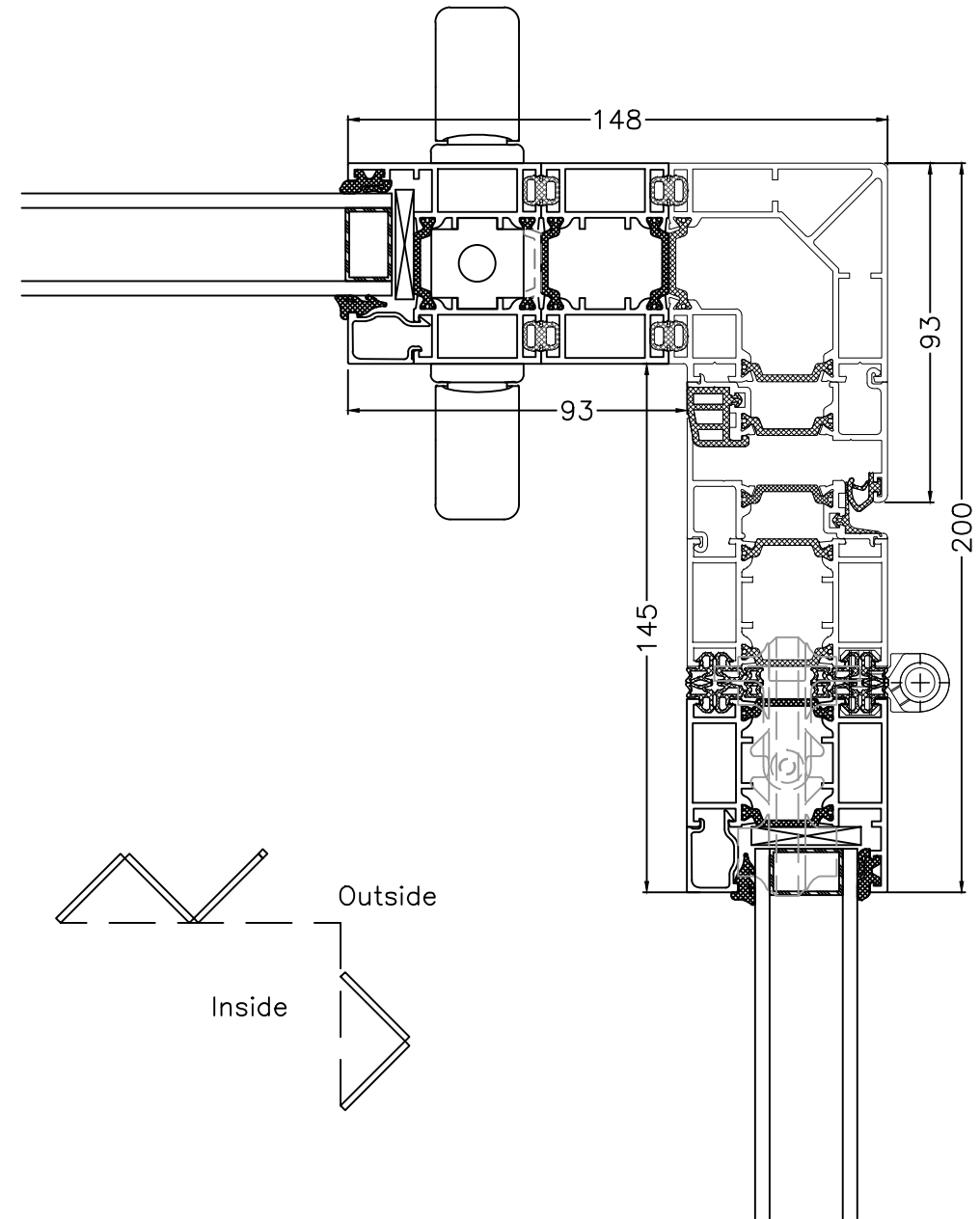
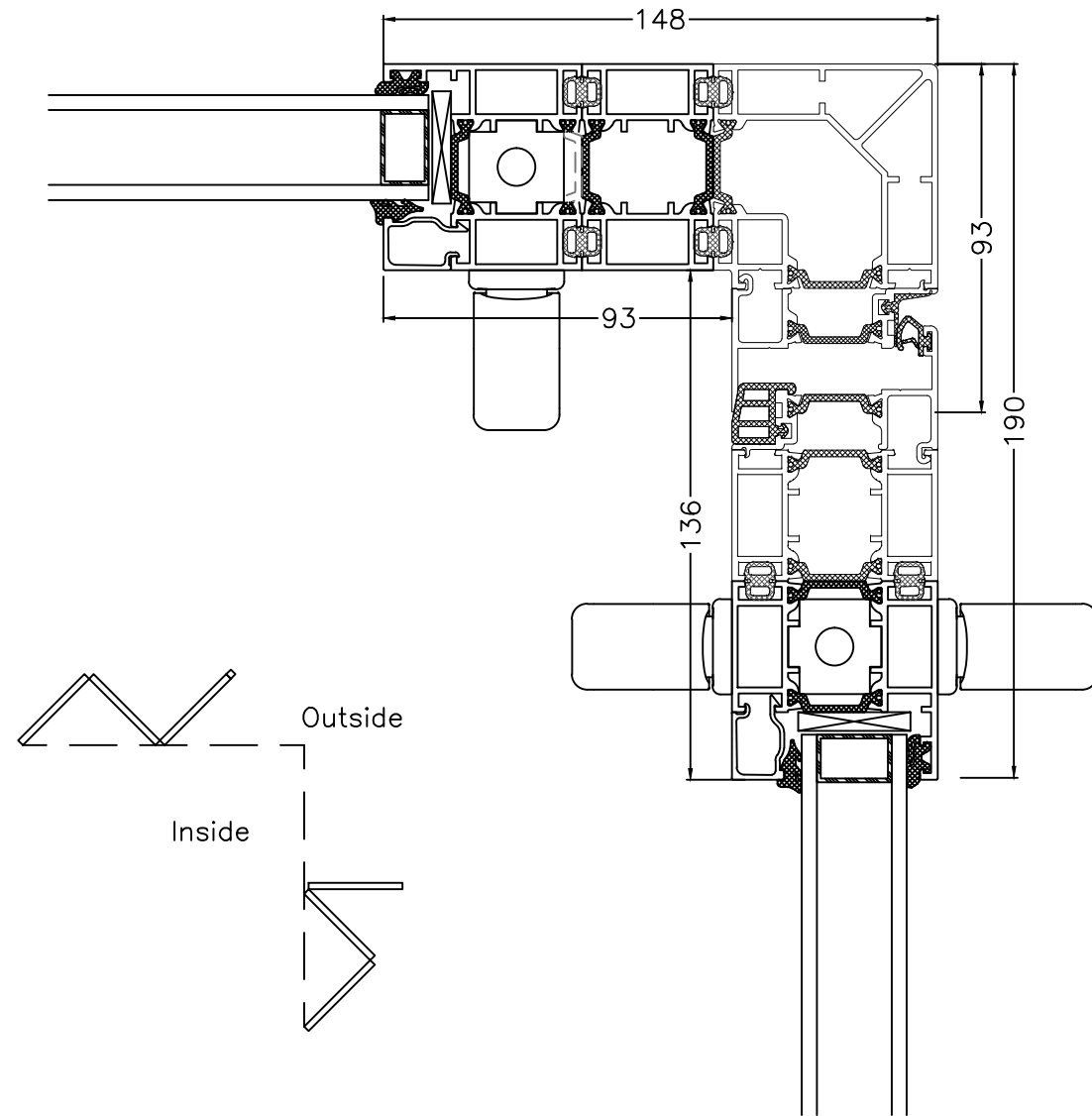
MOVING POST DETAILS

Description **Vertical Section - Connection**
Top Track - Panel / Open In

Detail No: **SF55-A-01A**

System: **SF55**

A

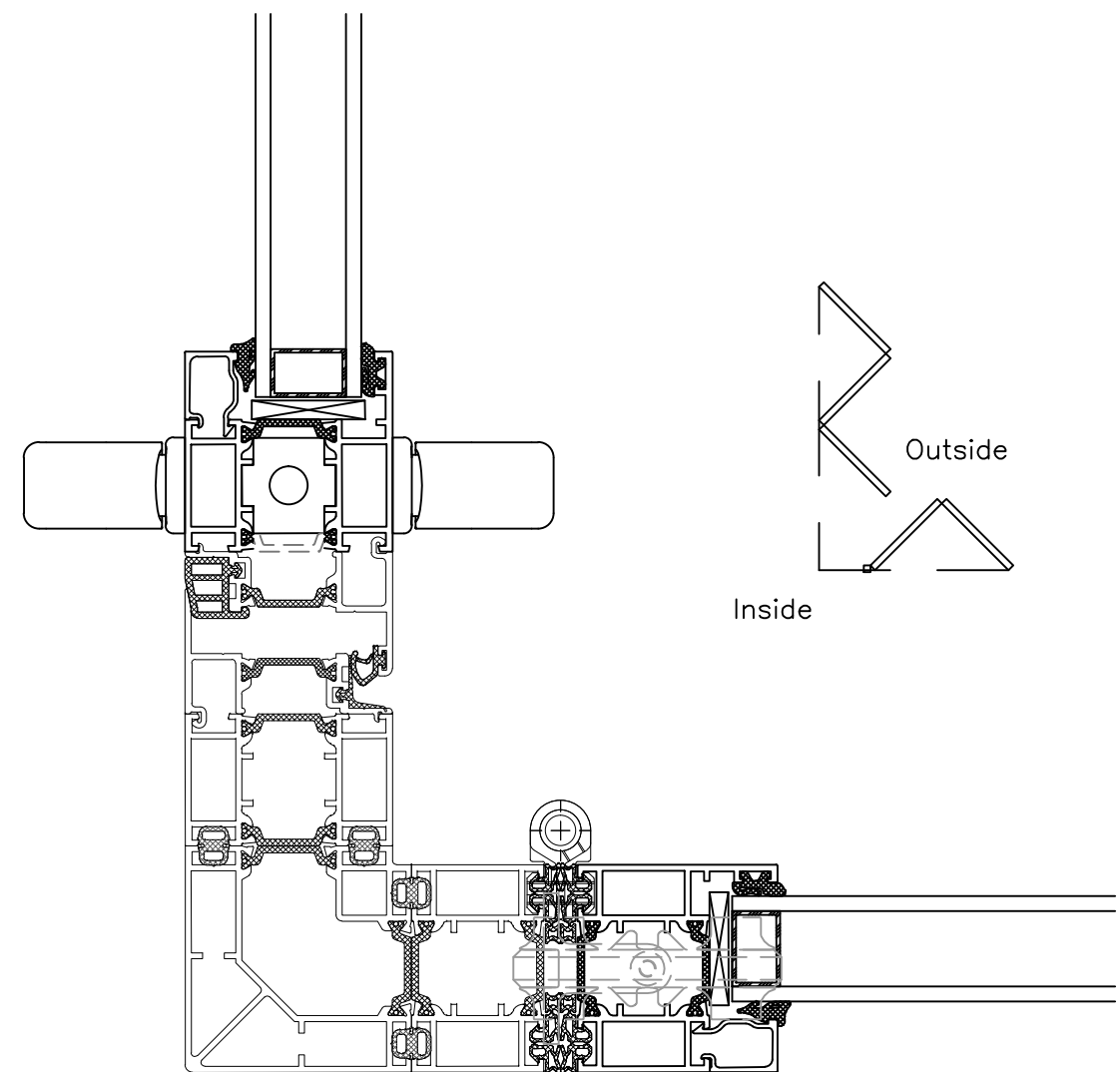
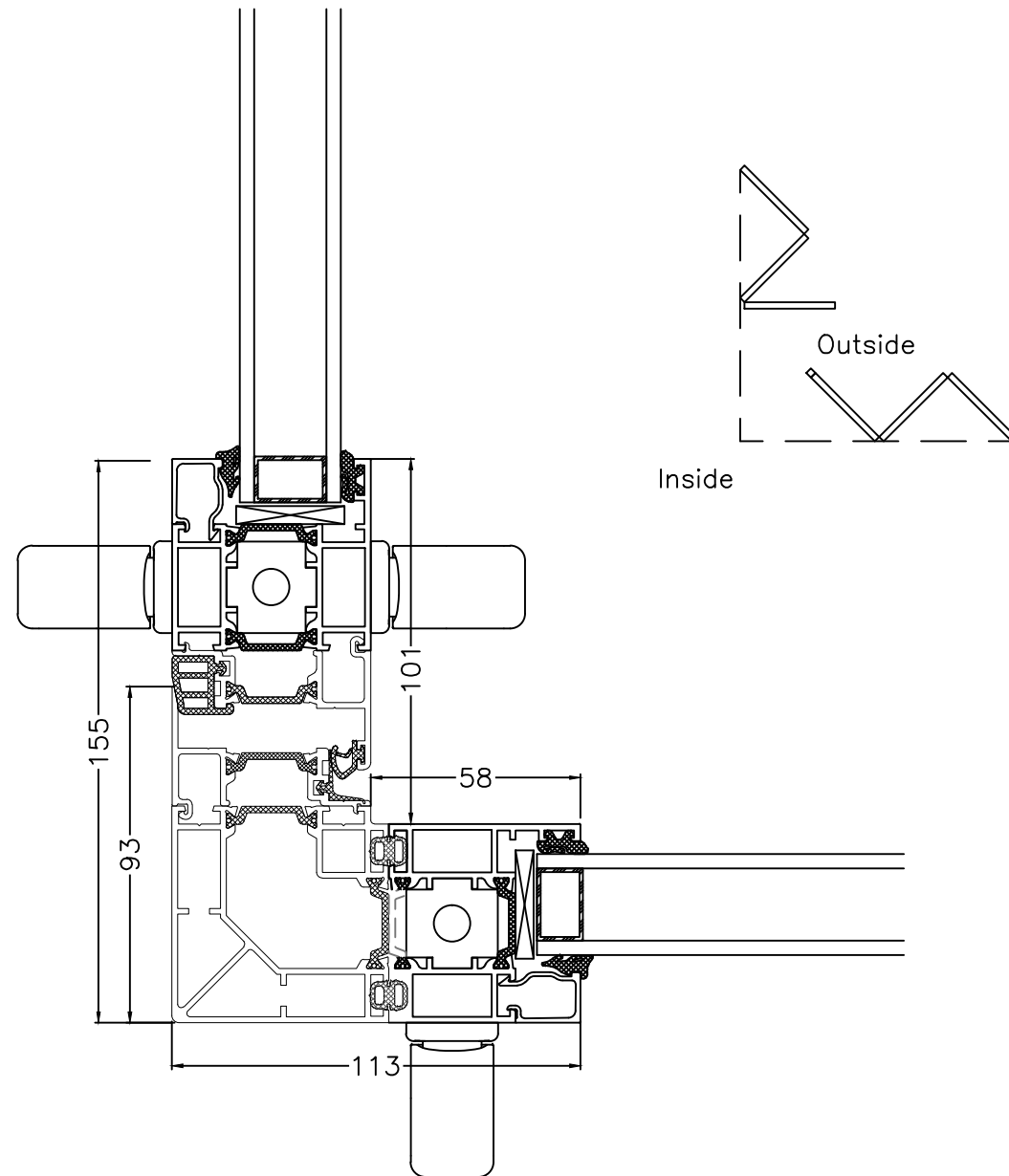


Description **Typical Moving Post Details - 90° Corner Open Out At Corner**

Detail No: **SF55-D-01**

System: **SF55**

A

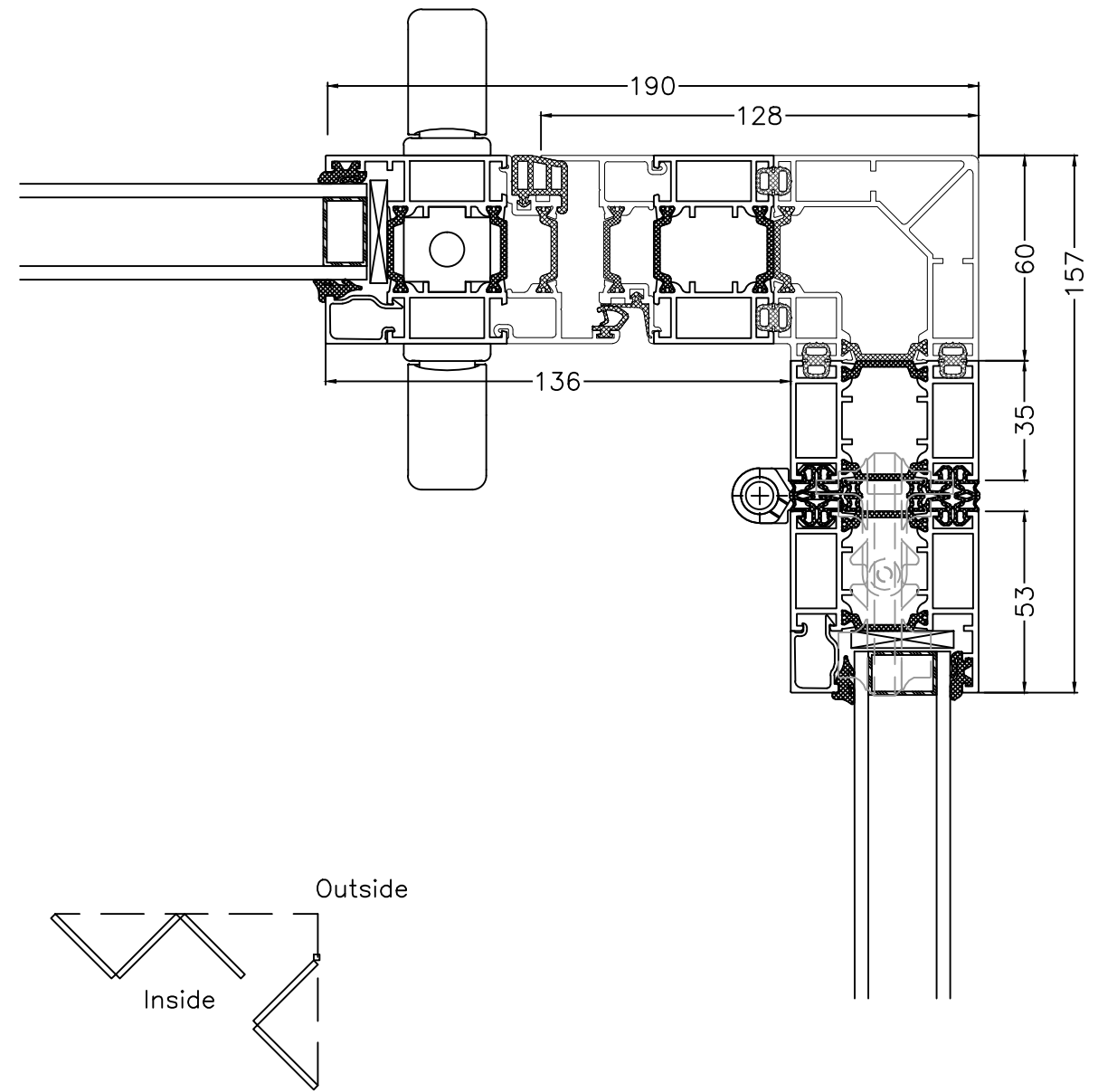
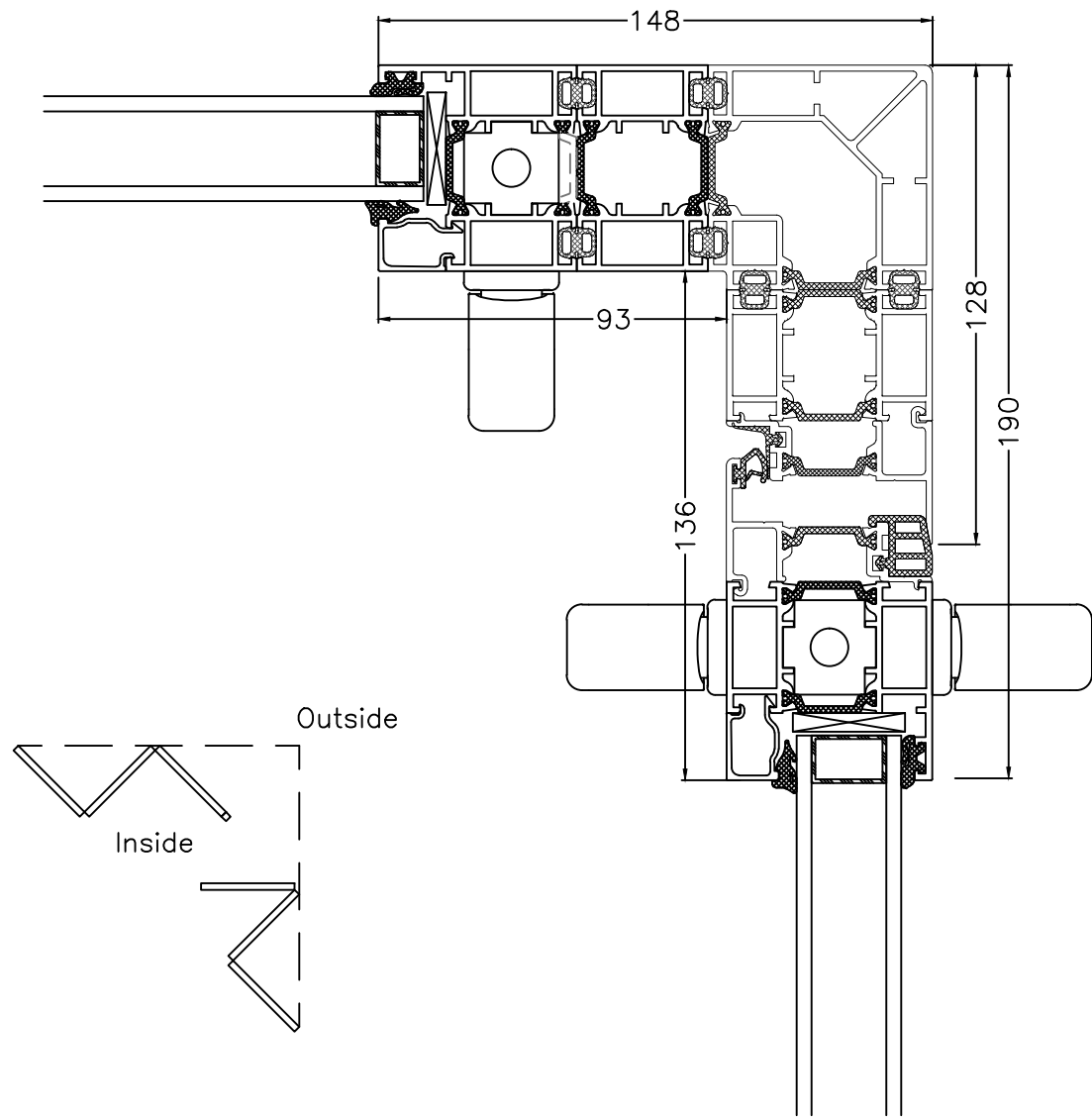


Description **Typical Moving Post Details - 270° Corner Open Out At Corner**

Detail No: **SF55-D-02**

System: **SF55**

A

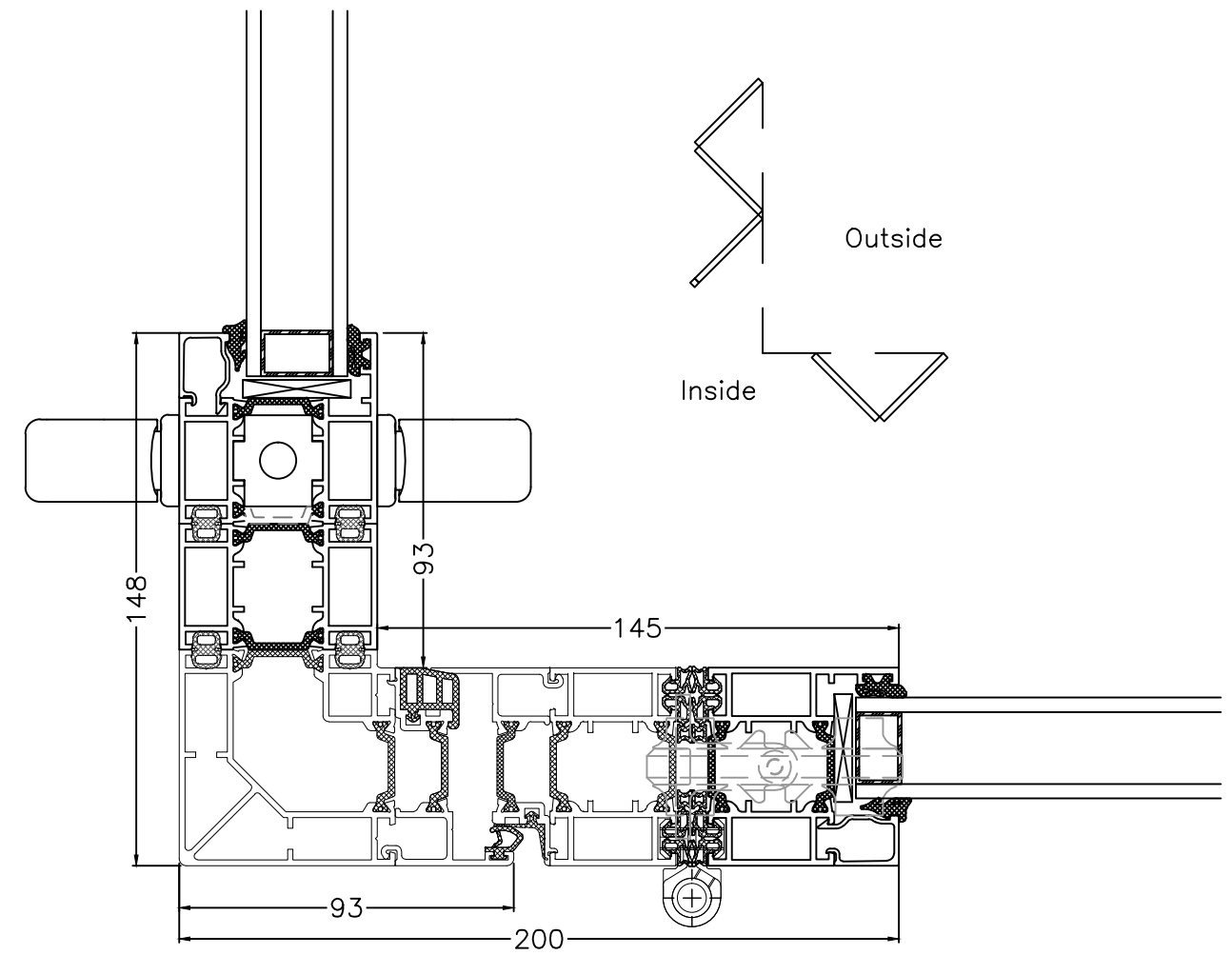
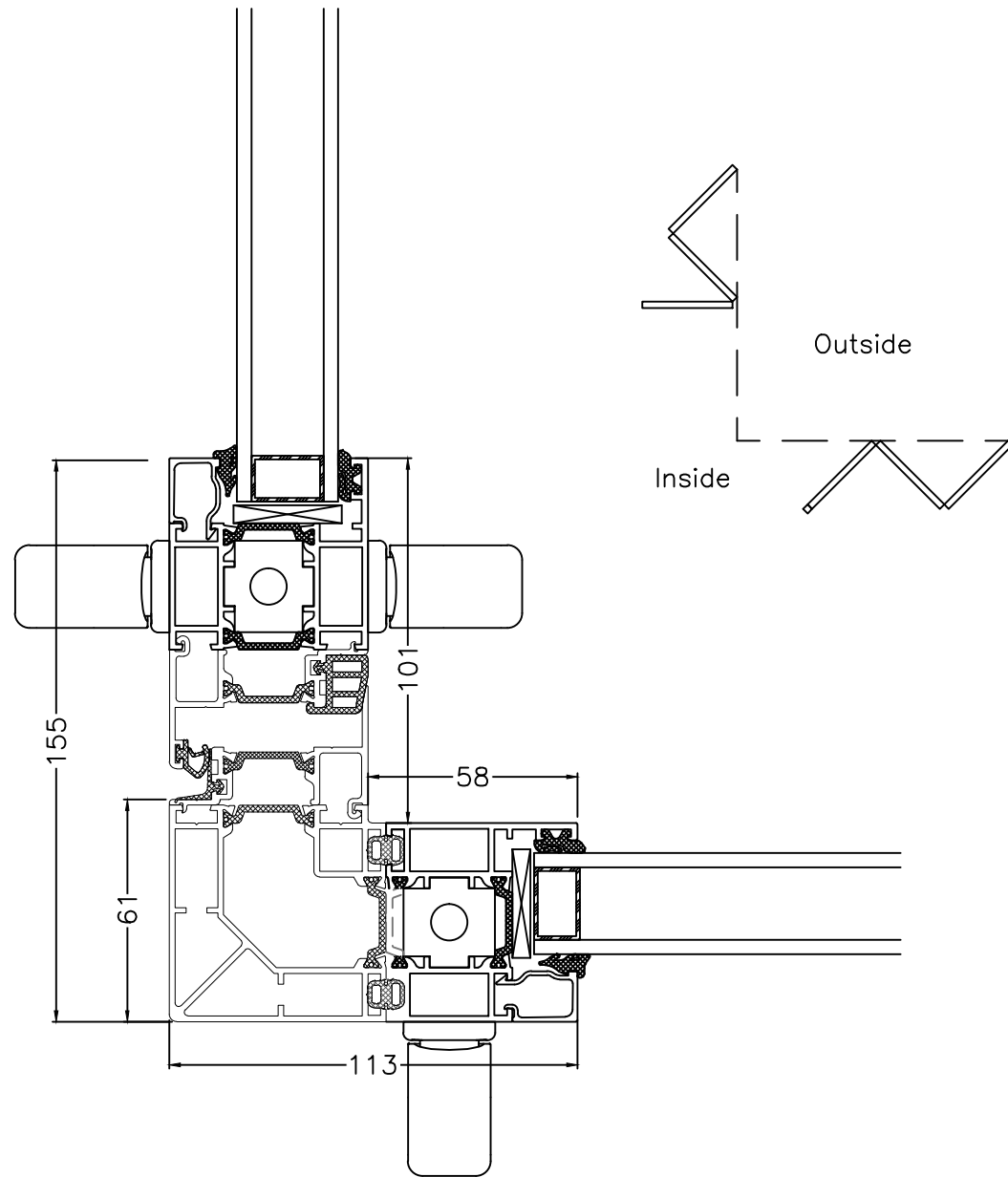


Description **Typical Moving Post Details - 90° Corner Open In At Corner**

Detail No: **SF55-D-03**

System: **SF55**

A

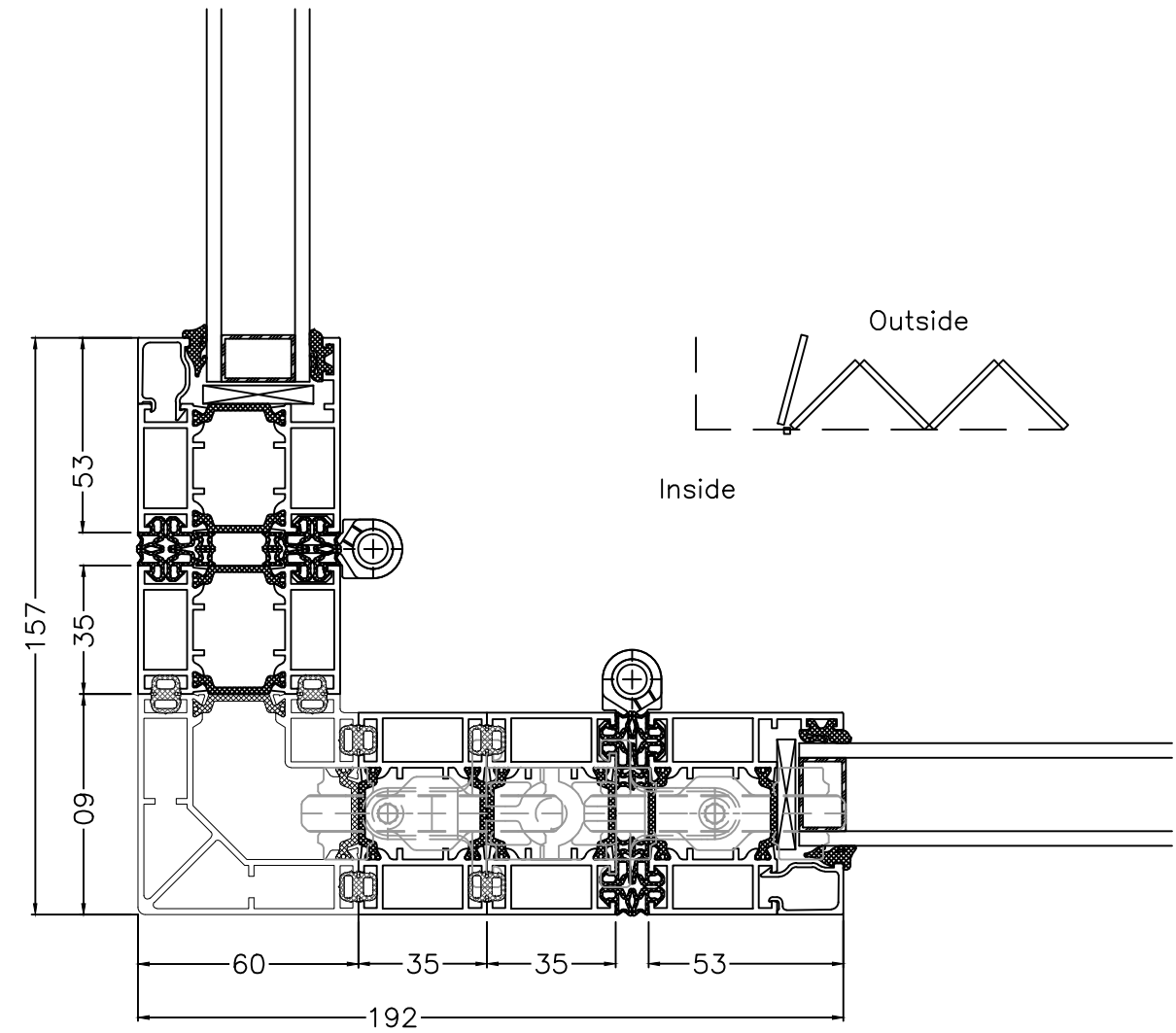
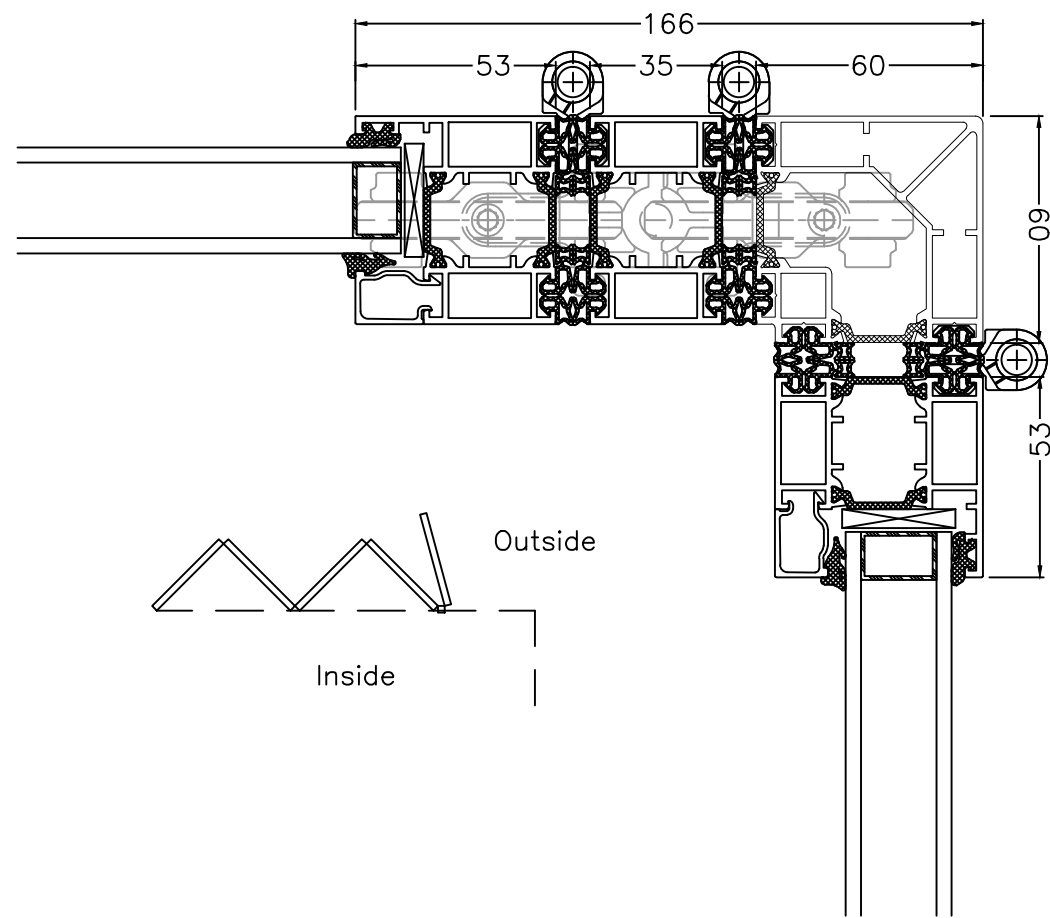


Description **Typical Moving Post Details - 270° Corner Open In At Corner**

Detail No: **SF55-D-04**

System: **SF55**

A

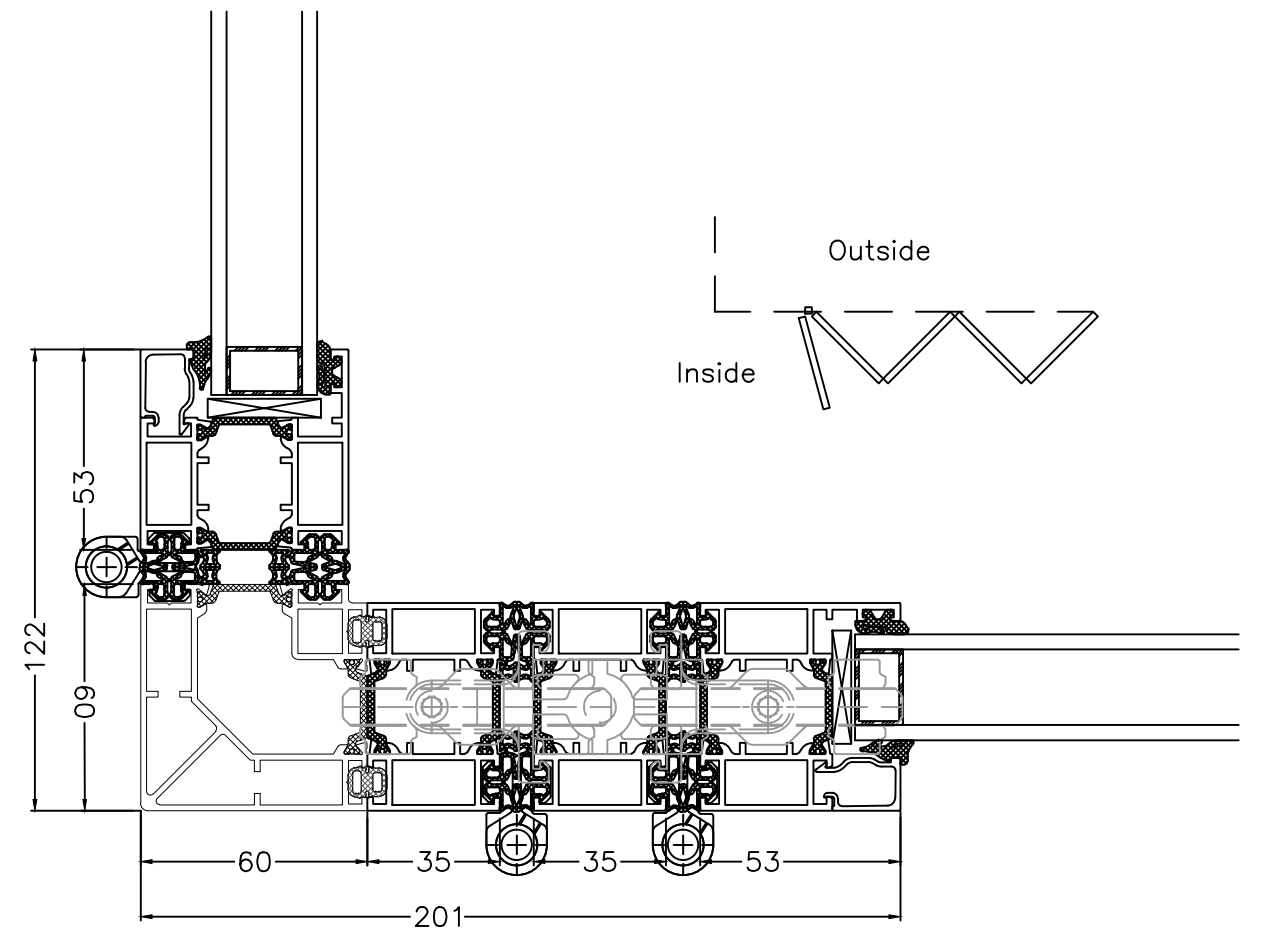
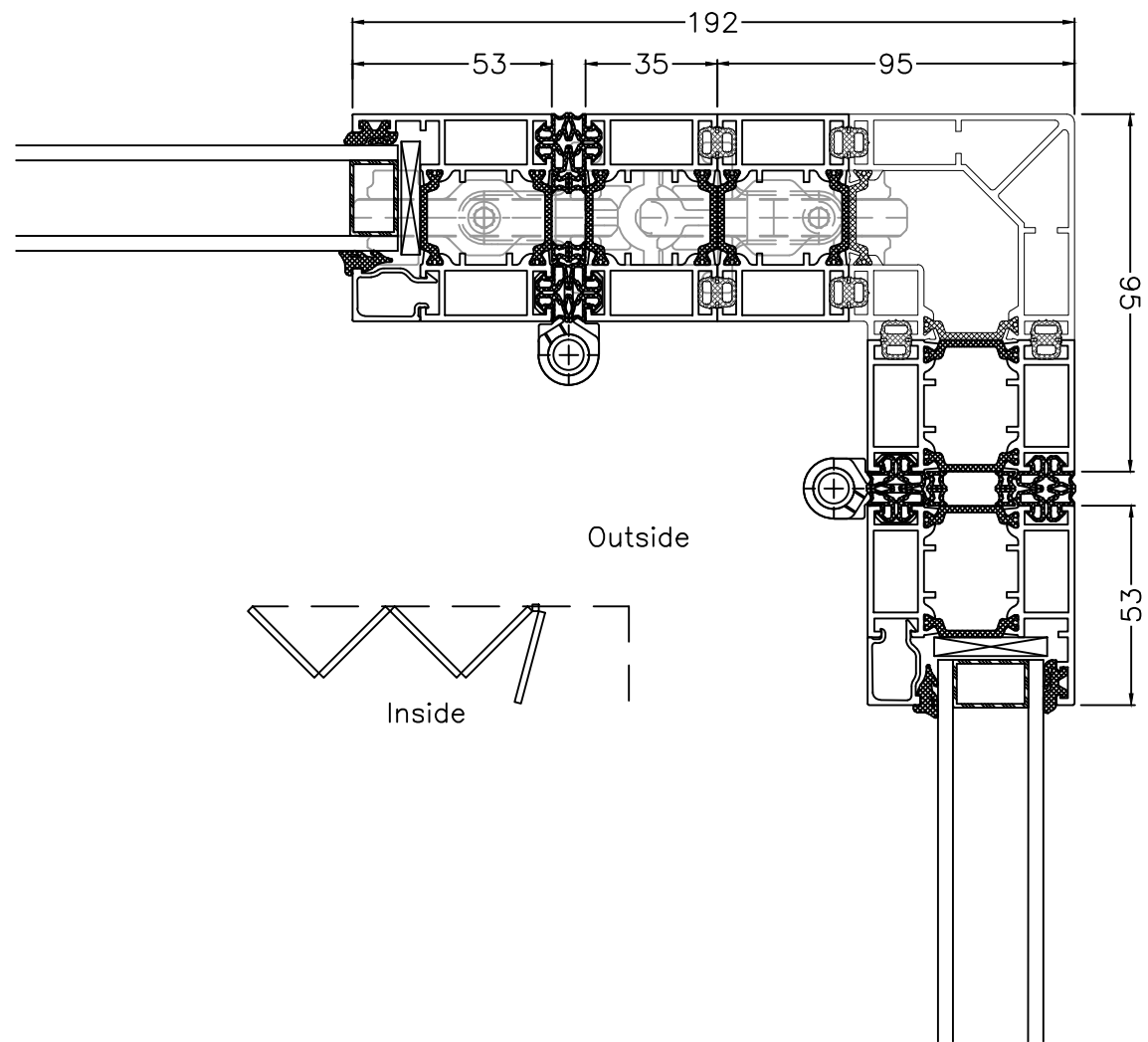


Description **Typical Moving Post Details - 90°/270° Corner Open Out Around Corner**

Detail No: **SF55-D-05**

System: **SF55**

A



Description **Typical Moving Post Details - 90°/270° Corner Open In Around Corner**

Detail No: **SF55-D-06**

System: **SF55**

A

SF55 Folding Door

STATICS

Maximum Weight Per Panel Incl. Glass							
Height\Width	<600	700	800	900	1000	1100	1200
<600	16	19	22	24	27	30	32
700	19	22	25	28	32	35	38
800	22	25	29	32	36	40	43
900	24	28	32	36	41	45	49
1000	27	32	36	41	45	50	54
1100	30	35	40	45	50	54	59
1200	32	38	43	49	54	59	65
1300	35	41	47	53	59	64	70
1400	38	44	50	57	63	69	76
1500	41	47	54	61	68	74	81
1600	43	50	58	65	72	79	86
1700	46	54	61	69	77	84	92
1800	49	57	65	73	81	89	97
1900	51	60	68	77	86	94	100
2000	54	63	72	81	90	99	100
2100	57	66	76	85	95	100	100
2200	59	69	79	89	99	100	100
2300	62	72	83	93	100	100	100
2400	65	76	86	97	100	100	100
2500	68	79	90	100	100	100	
2600	70	82	94	100	100	100	
2700	73	85	97	100	100	100	
2800	76	88	100	100	100	100	
2900	78	91	100	100	100		
3000	81	95	100	100	100		
3100	84	98	100	100	100		
3200	86	100	100	100	100		
3300	89	100	100	100			
3400	92	100	100	100			
3500	95	100	100	100			
3600	97	100	100	100			

Sliding Post Detail Required
(see details A-05C/A-05D)*

*Sliding post details A-05C/A-05D also required on ALL sets that fall into the following categories;
 Post between every pair of panels on odd panel sets that weigh more than 70kg per panel
 Post between every pair of panels on even panel sets that weight more than 80kg per panel
 Post between lead panel and adjacent leaf on ALL odd panel sets with seven or more panels stacking in one direction. Additional posts required if panel weights are as above.

Note: To calculate m² weight of panel, multiply total glass thickness by 2.5 then add 5
 eg: for 4x20x4 unit
 4+4=8
 8x2.5=20
 20+5=25kg/m²